



Absolute encoders
AHS/AHM36 CANopen, Rotary

AHS36A-S1CK016384



Model Name > [AHS36A-S1CK016384](#)
Part No. > [1066001](#)



Illustration may differ

At a glance

- Compact 36 mm absolute encoder with max. 26 bits (singleturn: 14 bits, multiturn: 12 bits)
- Face mount flange, servo flange, blind hollow shaft
- Rotatable M12 connector or rotatable cable outlet
- CANopen interface with programmable configuration
- Diagnostic functions: temperature, operating time, etc. (depending on the type)
- Protection class up to IP 67 (depending on the type)
- Operating temperature: -40 °C to +85 °C (depending on the type)

Your benefits

- Simple, time-saving mechanical installation due to a rotatable connector or rotatable cable outlet, various mounting hole patterns, and many different shafts
- Simple network installation with various configuration options
- Intelligent diagnostic functions evaluate maintenance intervals for the entire system, thereby increasing system reliability
- Customizable Easy setup for various applications allowing binary, non-binary, and non-integer resolutions with the round axis functionality (advanced version)
- Reliable operation in harsh environments thanks to the rugged, reliable, fully magnetic sensor system
- Space-efficient and cost-effective design that is suitable for applications where space is tight
- High performance at a cost-efficient price



Performance

Max. number of steps per revolution:	16,384
Max. number of revolutions:	1
Resolution power:	16,384 x 1
Error limits:	± 0.35 ° (at 20°C)
Repeatability (Ta not constant):	± 0.2 ° (at 20°C)
Measuring step:	± 0.022 ° (360 °/number of steps)
Initialization time:	2 s ¹⁾

¹⁾ Valid positional data can be read once this time has elapsed

Mechanical data

Mechanical interface:	Solid shaft, Servo flange
Shaft diameter:	6 mm

Start up torque:	1 Ncm (+20 °C) ¹⁾
Operating torque:	< 1 Ncm (+20 °C) ²⁾
Permissible Load capacity of shaft:	20 N (axial), 40 N (radial)
Maximum operating speed::	6,000 /min ^{3) 4)}
Moment of inertia of the rotor:	2.5 gcm ²
Bearing lifetime:	3.6 x 10 ⁸ revolutions
Max. angular acceleration:	500,000 rad/s ²
Shaft material:	Stainless steel
Flange material:	Aluminum
Housing material:	Zinc
Shaft length:	12 mm
Material, cable:	PUR

1) 2) 4) ³⁾ Self warming of 5,5 K per 1000 revolutions/min when applying note working temperature range

Electrical data

Power consumption:	Without load
Operating voltage range:	10 V ... 30 V
MTTFd: mean time to dangerous failure:	270 a (EN ISO 13849-1) ¹⁾
Connection type:	Cable, 5-wire, universal, 1.5 m
Reverse polarity protection:	1
Power consumption max. without load:	1.5 W

¹⁾ This product is a standard product and does not constitute a safety component as defined in the Machinery Directive.

Calculation based on nominal load of components, average ambient

temperature 40°C, frequency of use 8760 h/a. All

electronic failures are considered hazardous. For more information, see document no. 8015532.

Interfaces

Electrical interface:	CANopen
Bus:	CANopen
Address setting:	0 ... 127
Data transmission rate (baud rate):	20 kbit/s ... 1,000 kbit/s, default: 125 kbit/s
Status information:	CANopen Status über Status-LED
Bus termination:	Via external termination resistance ¹⁾
Encoder profile:	CANopen CiA DS-301 V4.02, CiA DSP-305 LSS, Encoder Profile: - CiA DS-406, V3.2. - Class C2
Parameterising data:	Abtaste für Geschwindigkeitsberechnung, Number of revolutions, Einheit für Ausgabe des Geschwindigkeitswerts, Elektronische Nocken (2 Kanäle x 8 Nocken), PRESET, Endless operating functionality (only Multiturn version), Number of steps per revolution, Counting direction
PDO data:	Speed, Position, Temperature
Available diagnostics data:	Betriebsstundenzähler Power-On/Motion, Maximale Geschwindigkeit, Minimale und maximale Betriebsspannung, Minimale und maximale Temperatur, Power-On Zähler, Zähler für Richtungsänderungen/Anzahl Bewegung cw/Anzahl Bewegungen ccw

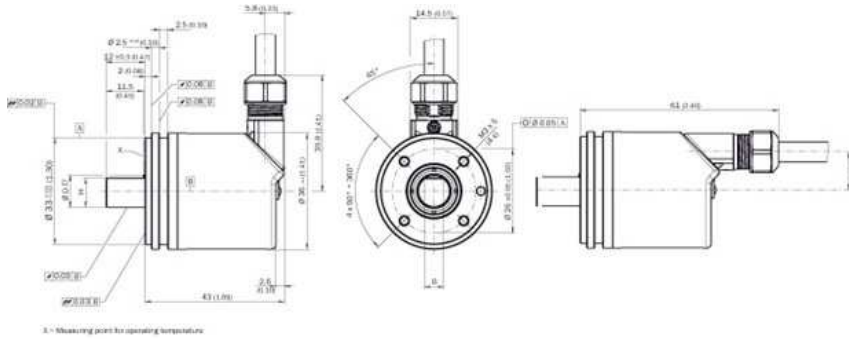
¹⁾ See accessories

Ambient data

EMC: (according to EN 61000-6-2 and EN 61000-6-3)
 Enclosure rating:: IP 66/IP 67 (according to IEC 60529), housing side, IP 66/IP 67 (according to IEC 60529), shaft side)
 Permissible relative humidity: 90 % (Condensation not permitted)
 Working temperature range: -40 °C ... +85 °C
 Storage temperature range: -40 °C ... +100 °C, without package
 Resistance to shocks: 100 g, 6 ms (according to EN 60068-2-27)
 Resistance to vibration: 20 g, 10 Hz ... 2,000 Hz (according to EN 60068-2-6)

1) With mating connector fitted 2)

Dimensional drawing



PIN and wire allocation

PIN	Signal	Wire color	Function
1	CAN shield	White	Screen
2	VDC	Red	Encoder supply voltage: 10 ... 30 V DC
3	GND/ CAN GND	Blue	0 V (GND)
4	CAN high	Black	CAN signal
5	CAN low	Pink	CAN signal
Housing	-	-	Screen

Australia

Phone +61 3 9457 0600
1800 33 48 02 – tollfree
E-Mail sales@sick.com.au

Belgium/Luxembourg

Phone +32 (0)2 466 55 66
E-Mail info@sick.be

Brasil

Phone +55 11 3215-4900
E-Mail marketing@sick.com.br

Canada

Phone +1 905 771 14 44
E-Mail information@sick.com

Česká republika

Phone +420 2 57 91 18 50
E-Mail sick@sick.cz

China

Phone +86 4000 121 000
E-Mail info.china@sick.net.cn
Phone +852-2153 6300
E-Mail ghk@sick.com.hk

Danmark

Phone +45 45 82 64 00
E-Mail sick@sick.dk

Deutschland

Phone +49 211 5301-301
E-Mail info@sick.de

España

Phone +34 93 480 31 00
E-Mail info@sick.es

France

Phone +33 1 64 62 35 00
E-Mail info@sick.fr

Great Britain

Phone +44 (0)1727 831121
E-Mail info@sick.co.uk

India

Phone +91-22-4033 8333
E-Mail info@sick-india.com

Israel

Phone +972-4-6881000
E-Mail info@sick-sensors.com

Italia

Phone +39 02 27 43 41
E-Mail info@sick.it

Japan

Phone +81 (0)3 5309 2112
E-Mail support@sick.jp

Magyarország

Phone +36 1 371 2680
E-Mail office@sick.hu

Nederland

Phone +31 (0)30 229 25 44
E-Mail info@sick.nl

Norge

Phone +47 67 81 50 00
E-Mail sick@sick.no

Österreich

Phone +43 (0)22 36 62 28 8-0
E-Mail office@sick.at

Polska

Phone +48 22 837 40 50
E-Mail info@sick.pl

România

Phone +40 356 171 120
E-Mail office@sick.ro

Russia

Phone +7-495-775-05-30
E-Mail info@sick.ru

Schweiz

Phone +41 41 619 29 39
E-Mail contact@sick.ch

Singapore

Phone +65 6744 3732
E-Mail sales.gsg@sick.com

Slovenija

Phone +386 (0)1-47 69 990
E-Mail office@sick.si

South Africa

Phone +27 11 472 3733
E-Mail info@sickautomation.co.za

South Korea

Phone +82 2 786 6321/4
E-Mail info@sickkorea.net

Suomi

Phone +358-9-25 15 800
E-Mail sick@sick.fi

Sverige

Phone +46 10 110 10 00
E-Mail info@sick.se

Taiwan

Phone +886 2 2375-6288
E-Mail sales@sick.com.tw

Türkiye

Phone +90 (216) 528 50 00
E-Mail info@sick.com.tr

United Arab Emirates

Phone +971 (0) 4 88 65 878
E-Mail info@sick.ae

USA/México

Phone +1(952) 941-6780
1 (800) 325-7425 – tollfree
E-Mail info@sickusa.com

More representatives and agencies
at www.sick.com