



Photoelectric sensors  
MultiLine Sensor, Photoelectric proximity sensor,  
multi-background suppression

WTB4-3P3192



**Model Name** > [WTB4-3P3192](#)  
**Part No.** > [1067833](#)



*Illustration may differ*

**At a glance**

- Two logical and intelligently linked sensors with background suppression in one miniature housing offer the highest ruggedness for object detection
- Consistent, reliable detection of structures and perforated objects such as e-cards
- Consistent, reliable detection of reflective and irregular objects such as blister packs and soup sachets on conveyor belts
- Maximum sensing range 120 mm
- Simple adjustment via teach-in button

**Your benefits**

- The MultiLine sensor facilitates faster production sequences since the distances between objects can be reduced
- The sensor position no longer needs to be modified for format changes since the sensor is able to detect objects independently of their position. This saves time and money
- The reliable signal of the sensor from the arriving to the departing edge places less demands on the control software since it no longer needs to be debounced or evaluated
- The MultiLine sensor offers high process reliability because all objects are detected independently of their structure, geometry and surface properties
- And placing the sensor into operation is as easy as pressing a button. A fast and reliable commissioning without complicated operating algorithms is thus given



**Features**

|                                  |  |
|----------------------------------|--|
| Sensor/detection principle:      | Photoelectric proximity sensor, multi-background suppression |
| Dimensions (W x H x D):          | 16 mm x 39.5 mm x 12 mm                                      |
| Housing design (light emission): | Rectangular  |
| Sensing range max.:              | 5 mm ... 120 mm  |
| Sensing range:                   | 15 mm ... 120 mm   |
| Type of light:                   | Visible red light  |
| Light source:                    | PinPoint LED <sup>1)</sup>                                   |
| Wave length:                     | 650 nm   |
| Teach-in:                        | Single teach-in button                                       |
| Adjustment:                      | Teach-in button  |
| Light spot size (distance):      | 40 mm  |

<sup>1)</sup> Average service life of 100,000 h at T<sub>A</sub> = +25 °C

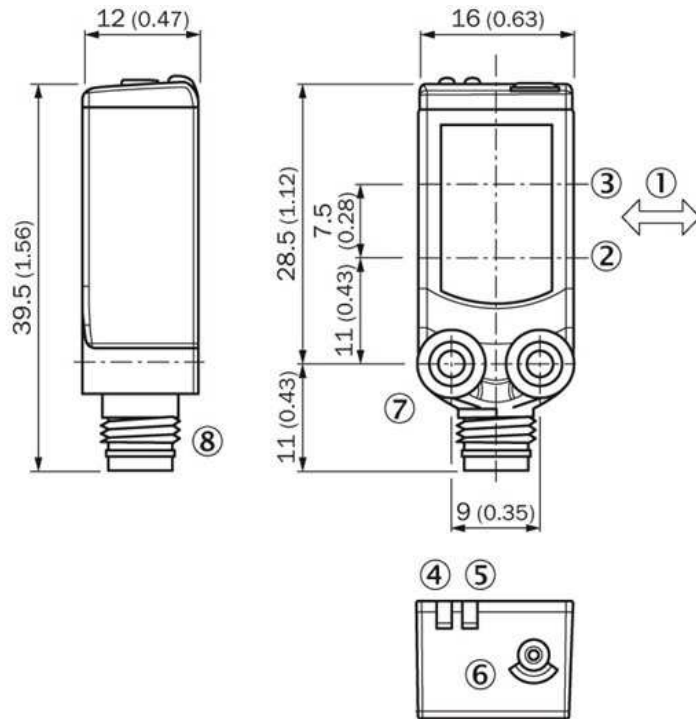
## Mechanics/electronics

---

|                                    |  |
|------------------------------------|--|
| Supply voltage:                    | 10 V DC ... 30 V DC <sup>1)</sup>                    |
| Residual ripple::                  | < 5 Vpp <sup>2) 3)</sup>                             |
| Power consumption:                 | ≤ 30 mA <sup>4)</sup>                                |
| Output type:                       | PNP  |
| Switching mode:                    | Light switching                                      |
| Output current I <sub>max</sub> :: | ≤ 100 mA   |
| Response time:                     | < 1.2 ms <sup>5)</sup>                               |
| Switching frequency:               | ± 400 Hz <sup>6)</sup>                               |
| Electrical connection:             | Cable with connector M8, 3-pin, 100 mm <sup>7)</sup> |
| Circuit protection:::              | A, C, D <sup>8) 9) 10)</sup>                         |
| Protection class:                  | III  |
| Weight:                            | 30 g   |
| Housing material:                  | ABS, Plastic   |
| Optics material:                   | PMMA   |
| Enclosure rating:                  | IP 67<br>IP 66                                       |
| Special feature:                   | For transparent objects                              |
| Ambient operating temperature:     | -40 °C ... +60 °C                                    |
| Ambient storage temperature:       | -40 °C ... +75 °C                                    |

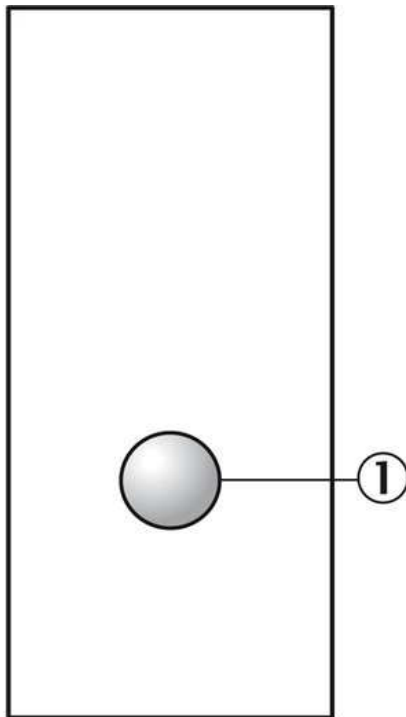
<sup>1)</sup> Limit values, operation in short-circuit protected network max. 8 A resistive load <sup>6)</sup> With light/dark ratio 1:1 <sup>7)</sup> Do not bend below 0 °C <sup>2) 3)</sup> May not exceed or fall short of  $V_S$  tolerances <sup>4)</sup> Without load <sup>5)</sup> Signal transit time with overcurrent and short-circuit protected <sup>8)</sup> A =  $V_S$  connections reverse-polarity protected <sup>9)</sup> C = interference suppression <sup>10)</sup> D = outputs

**Dimensional drawing**



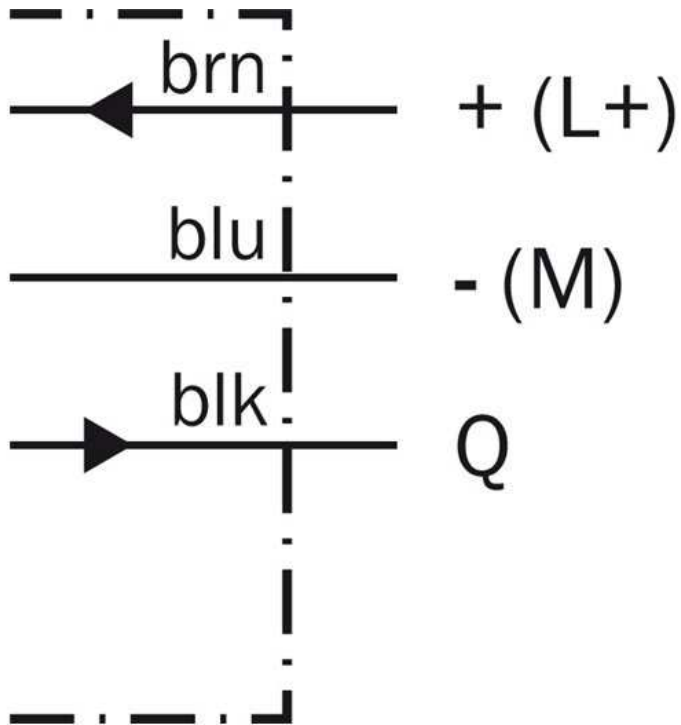
- |1| Standard direction of the material being scanned
- |2| Optical axis sender
- |3| Optical axis receiver
- |4| Status indicator LED,  
yellow: Status of received light beam
- |5| Status indicator LED green: power on
- |6| Teach-in button
- |7| Threaded mounting hole M3
- |8| Connection

**Adjustments possible**



- |1| Teach-in button

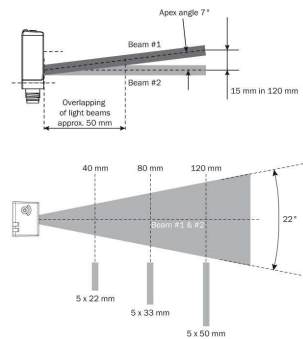
Connection diagram



Connection type



Light spot size



**Australia**

Phone +61 3 9457 0600  
1800 33 48 02 – tollfree  
E-Mail sales@sick.com.au

**Belgium/Luxembourg**

Phone +32 (0)2 466 55 66  
E-Mail info@sick.be

**Brasil**

Phone +55 11 3215-4900  
E-Mail marketing@sick.com.br

**Canada**

Phone +1 905 771 14 44  
E-Mail information@sick.com

**Česká republika**

Phone +420 2 57 91 18 50  
E-Mail sick@sick.cz

**China**

Phone +86 4000 121 000  
E-Mail info.china@sick.net.cn  
Phone +852-2153 6300  
E-Mail ghk@sick.com.hk

**Danmark**

Phone +45 45 82 64 00  
E-Mail sick@sick.dk

**Deutschland**

Phone +49 211 5301-301  
E-Mail info@sick.de

**España**

Phone +34 93 480 31 00  
E-Mail info@sick.es

**France**

Phone +33 1 64 62 35 00  
E-Mail info@sick.fr

**Great Britain**

Phone +44 (0)1727 831121  
E-Mail info@sick.co.uk

**India**

Phone +91-22-4033 8333  
E-Mail info@sick-india.com

**Israel**

Phone +972-4-6881000  
E-Mail info@sick-sensors.com

**Italia**

Phone +39 02 27 43 41  
E-Mail info@sick.it

**Japan**

Phone +81 (0)3 5309 2112  
E-Mail support@sick.jp

**Magyarország**

Phone +36 1 371 2680  
E-Mail office@sick.hu

**Nederland**

Phone +31 (0)30 229 25 44  
E-Mail info@sick.nl

**Norge**

Phone +47 67 81 50 00  
E-Mail sick@sick.no

**Österreich**

Phone +43 (0)22 36 62 28 8-0  
E-Mail office@sick.at

**Polska**

Phone +48 22 837 40 50  
E-Mail info@sick.pl

**România**

Phone +40 356 171 120  
E-Mail office@sick.ro

**Russia**

Phone +7-495-775-05-30  
E-Mail info@sick.ru

**Schweiz**

Phone +41 41 619 29 39  
E-Mail contact@sick.ch

**Singapore**

Phone +65 6744 3732  
E-Mail sales.gsg@sick.com

**Slovenija**

Phone +386 (0)1-47 69 990  
E-Mail office@sick.si

**South Africa**

Phone +27 11 472 3733  
E-Mail info@sickautomation.co.za

**South Korea**

Phone +82 2 786 6321/4  
E-Mail info@sickkorea.net

**Suomi**

Phone +358-9-25 15 800  
E-Mail sick@sick.fi

**Sverige**

Phone +46 10 110 10 00  
E-Mail info@sick.se

**Taiwan**

Phone +886 2 2375-6288  
E-Mail sales@sick.com.tw

**Türkiye**

Phone +90 (216) 528 50 00  
E-Mail info@sick.com.tr

**United Arab Emirates**

Phone +971 (0) 4 88 65 878  
E-Mail info@sick.ae

**USA/México**

Phone +1(952) 941-6780  
1 (800) 325-7425 – tollfree  
E-Mail info@sickusa.com

More representatives and agencies  
at [www.sick.com](http://www.sick.com)