



Photoelectric sensors  
GR18S, Photoelectric proximity sensor, energetic

GRTE18S-N1167



**Model Name** > GRTE18S-N1167  
**Part No.** > 1069121



Illustration may differ

**At a glance**

- Low-cost cylindrical M18 sensor with extra short housing
- Five different housing styles
- Variety of plastic and metal housing styles, with straight or right angle optics
- Bright and highly visible PinPoint-LED
- Special flush type, one-piece metal housing
- Highly visible signal indicator LED
- IP 67 rating

**Your benefits**

- Space-saving solution due to short housing
- Flexible mounting options due to versatile housing styles
- Easy installation and precise detection due to PinPoint LED
- Reduced maintenance costs due to high tightening torque of single piece flush metal housing
- Rugged and reliable with proven SICK technology
- Highly visible signal indicator LED saves maintenance and commissioning time



**Features**

Sensor/detection principle:	Photoelectric proximity sensor, energetic
Housing design (light emission):	Cylindrical, straight
Optical axis:	axial
Sensing range max.:	5 mm ... 1,000 mm <sup>1)</sup>
Sensing range:	10 mm ... 800 mm <sup>2)</sup>
Type of light:	Visible red light
Light source:	LED <sup>3)</sup>
Wave length:	650 nm
Adjustment:	Potentiometer, 270 °
Light spot size (distance):	Ø 45 mm (800 mm)

<sup>1) 2)</sup> Object with 90 % reflectance (referred to standard white, DIN 5033) <sup>3)</sup> Average service life of 100,000 h at T<sub>A</sub> = +25 °C

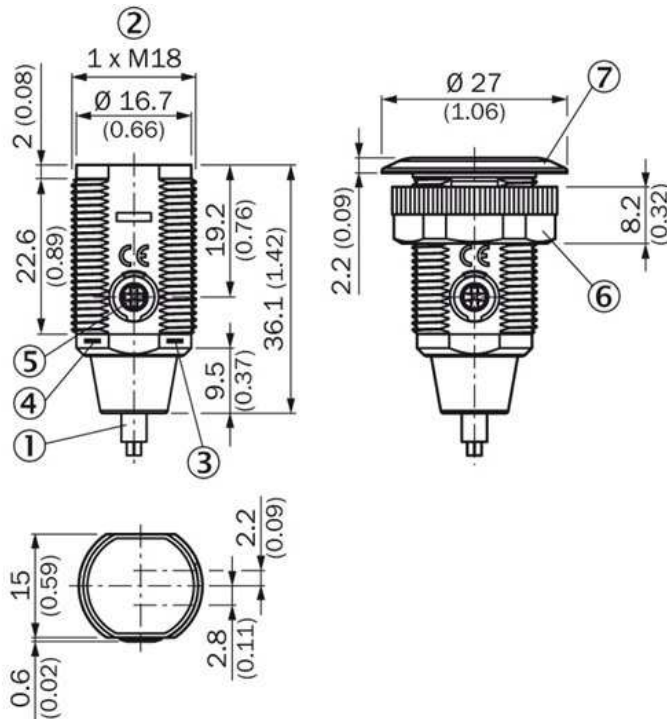
**Mechanics/electronics**

Supply voltage:	10 V DC ... 30 V DC <sup>1)</sup>
Residual ripple:	± 5 Vpp <sup>2)</sup>
Power consumption:	≤ 30 mA
Output type:	NPN

Output function:	Complementary
Switching mode:	Light/dark switching
Output current I <sub>max</sub> :	100 mA <sup>3)</sup>
Response time:	< 1,000 μs <sup>4)</sup>
Switching frequency:	500 Hz <sup>5)</sup>
Electrical connection:	Cable, 4-wire, 2 m <sup>6)</sup>
Cable material:	PVC
Circuit protection:::	A, B, D <sup>7) 8) 9)</sup>
Protection class:	III
Enclosure rating:	IP 67
Items supplied:	Fastening nuts (2, x)
Ambient operating temperature:	-25 °C ... +55 °C <sup>10)</sup>
Ambient storage temperature:	-40 °C ... +70 °C
UL File No.:	NRKH.E348498 & NRKH7.E348498
Housing material:	Plastic

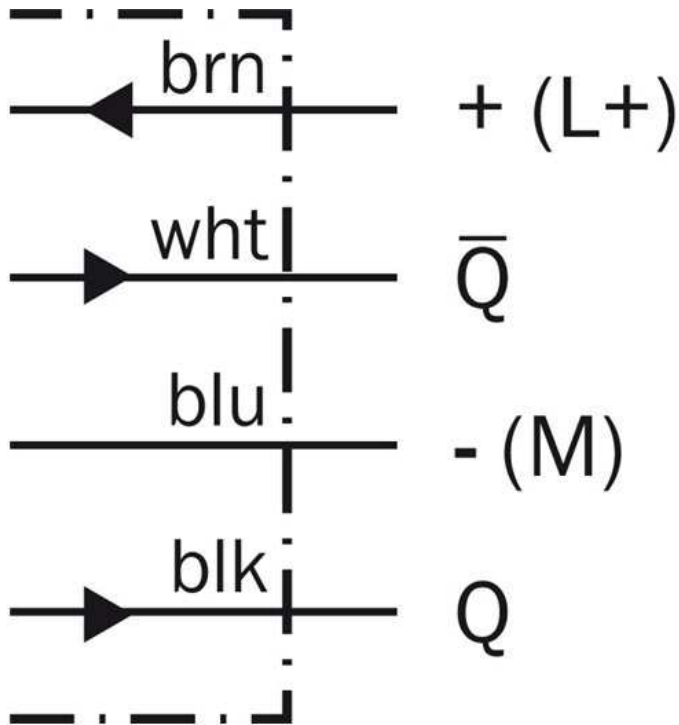
<sup>1)</sup> Limit values, operation in short-circuit protected network max. 8 A    <sup>2)</sup> May not exceed or fall short of V<sub>S</sub> tolerances    <sup>3)</sup> At V<sub>s</sub> > 24 V or ambient temperature > 49 °C, I<sub>A</sub> max = 50 mA    <sup>4)</sup> Signal transit time with resistive load    <sup>5) 6)</sup> Do not bend below 0 °C    <sup>7)</sup> A = V<sub>S</sub> connections reverse-polarity protected    <sup>8)</sup> B = inputs and output reverse-polarity protected    <sup>9)</sup> D = outputs overcurrent and short-circuit protected    <sup>10)</sup> At U<sub>V</sub> ≤ 24V and I<sub>A</sub>

### Dimensional drawing

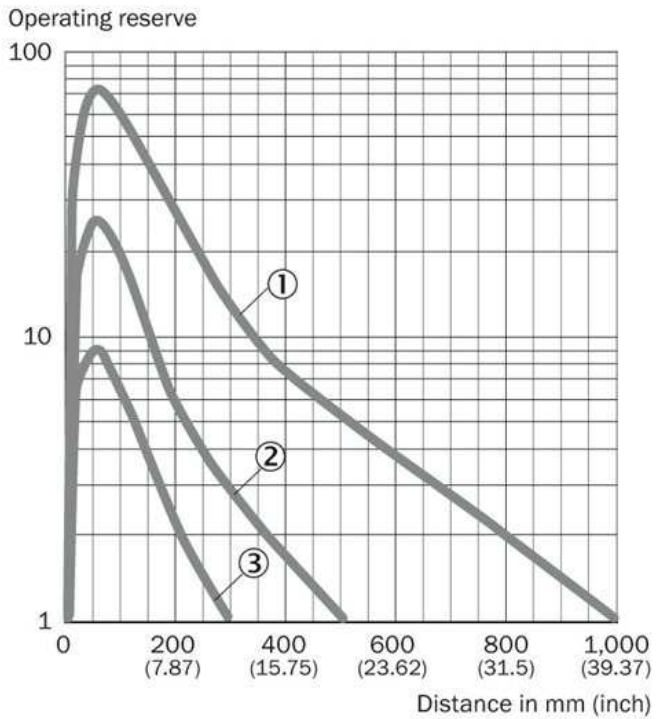


- [1] Connection cable 2 m
- [2] Threaded mounting hole M18 x 1
- [3] LED indicator yellow
- [4] LED indicator green
- [5] Sensitivity control; Potentiometer 270°
- [6] fastening nut; 22 mm hex, plastic
- [7] Mounting ring

Connection diagram

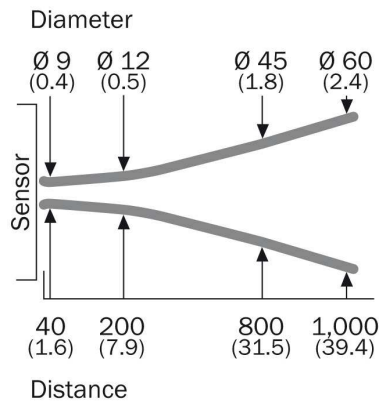


Characteristic curve

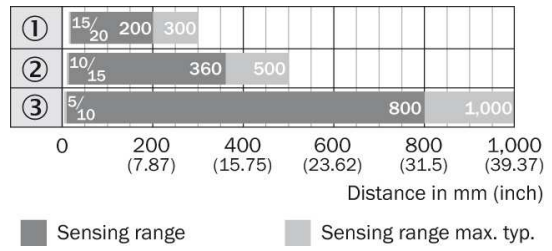


- [1] Sensing range on black, 6 % remission
- [2] Sensing range on gray, 20 % remission
- [3] Sensing range on white, 90 % remission

## Light spot size



## Sensing range diagram



**Australia**

Phone +61 3 9457 0600  
1800 33 48 02 – tollfree  
E-Mail sales@sick.com.au

**Belgium/Luxembourg**

Phone +32 (0)2 466 55 66  
E-Mail info@sick.be

**Brasil**

Phone +55 11 3215-4900  
E-Mail marketing@sick.com.br

**Canada**

Phone +1 905 771 14 44  
E-Mail information@sick.com

**Česká republika**

Phone +420 2 57 91 18 50  
E-Mail sick@sick.cz

**China**

Phone +86 4000 121 000  
E-Mail info.china@sick.net.cn  
Phone +852-2153 6300  
E-Mail ghk@sick.com.hk

**Danmark**

Phone +45 45 82 64 00  
E-Mail sick@sick.dk

**Deutschland**

Phone +49 211 5301-301  
E-Mail info@sick.de

**España**

Phone +34 93 480 31 00  
E-Mail info@sick.es

**France**

Phone +33 1 64 62 35 00  
E-Mail info@sick.fr

**Great Britain**

Phone +44 (0)1727 831121  
E-Mail info@sick.co.uk

**India**

Phone +91-22-4033 8333  
E-Mail info@sick-india.com

**Israel**

Phone +972-4-6881000  
E-Mail info@sick-sensors.com

**Italia**

Phone +39 02 27 43 41  
E-Mail info@sick.it

**Japan**

Phone +81 (0)3 5309 2112  
E-Mail support@sick.jp

**Magyarország**

Phone +36 1 371 2680  
E-Mail office@sick.hu

**Nederland**

Phone +31 (0)30 229 25 44  
E-Mail info@sick.nl

**Norge**

Phone +47 67 81 50 00  
E-Mail sick@sick.no

**Österreich**

Phone +43 (0)22 36 62 28 8-0  
E-Mail office@sick.at

**Polska**

Phone +48 22 837 40 50  
E-Mail info@sick.pl

**România**

Phone +40 356 171 120  
E-Mail office@sick.ro

**Russia**

Phone +7-495-775-05-30  
E-Mail info@sick.ru

**Schweiz**

Phone +41 41 619 29 39  
E-Mail contact@sick.ch

**Singapore**

Phone +65 6744 3732  
E-Mail sales.gsg@sick.com

**Slovenija**

Phone +386 (0)1-47 69 990  
E-Mail office@sick.si

**South Africa**

Phone +27 11 472 3733  
E-Mail info@sickautomation.co.za

**South Korea**

Phone +82 2 786 6321/4  
E-Mail info@sickkorea.net

**Suomi**

Phone +358-9-25 15 800  
E-Mail sick@sick.fi

**Sverige**

Phone +46 10 110 10 00  
E-Mail info@sick.se

**Taiwan**

Phone +886 2 2375-6288  
E-Mail sales@sick.com.tw

**Türkiye**

Phone +90 (216) 528 50 00  
E-Mail info@sick.com.tr

**United Arab Emirates**

Phone +971 (0) 4 88 65 878  
E-Mail info@sick.ae

**USA/México**

Phone +1(952) 941-6780  
1 (800) 325-7425 – tollfree  
E-Mail info@sickusa.com

More representatives and agencies  
at [www.sick.com](http://www.sick.com)