



Switching automation light grids SLG, SGS

SGS4-F108P7PS2W00



Model Name > [SGS4-F108P7PS2W00](#)
Part No. > [1212430](#)



At a glance

- Variable monitoring lengths from 120 mm up to 1,400 mm (in 160 mm increments)
- Maximum range 10 m
- Response time 18 ms
- 25 mm or 45 mm detection resolution with 40 mm or 80 mm beam spacing possible
- Order-picking with extra-bright job LEDs on the sender and receiver sides
- IP 65 protection for various environmental conditions
- Highly immune to sunlight at 150,000 lx

Your benefits

- Small, slim and sleek design enables easy integration into applications
- Capacitive teach-in button and LEDs make commissioning easier for complex solutions
- Slim and flat models offer flexible mounting options
- User-defined factory preset configuration or flexible configuration with teach-in button
- Optical synchronization eliminates the need to lay cables, saving time
- Stealth detection in public places - at only 8 mm x 25 mm, it fits just about anywhere and can be imbedded inside walls, doors, conveyors, and machines, reducing damage
- Auto-teach and auto-muting enable Plug & Play. And, an alignment aid and “Click & Go” provide faster installation.



Features

| | |
|----------------------------------|----------------------|
| Technology: | Sender/receiver |
| Minimum detectable object (MDO): | Parallel beam, 45 mm |
| Beam separation: | 40 mm |
| Number of beams: | 28 |
| Detection height: | 1,080 mm |

| | |
|---------------------------|--|
| Optical light exit: | Flat |
| Configuration: | Without teach button with configuration software |
| Cross beam/parallel beam: | Parallel beam active |
| Output 1: | Output 1 active, if light beam interrupted |
| Automatic teach: | Automatic teach inactive |
| Alignment aid: | Without alignment aid |
| Muting function: | Muting function inactive |

Performance

| | |
|----------------|----------------------|
| Maximum range: | 10 m ¹⁾ |
| Minimum range: | Parallel beam: ≥0 mm |
| Working range: | 7 m |
| Response time: | Parallel beam 19 ms |

¹⁾ No reserve for environmental issue and deterioration of the diode

Interfaces

| | |
|------------------------|--------------------------------------|
| Output type: | 1 x PNP |
| Electrical connection: | Short cable with connector M8, 4-pin |
| Inputs: | Teach input |

Mechanics/electronics

| | |
|--|---|
| Wave length: | IR 950 nm |
| Supply voltage Vs: | DC 24 V, ± 20 % |
| Power consumption sender ¹⁾ : | 208 mA |
| Power consumption receiver ²⁾ : | 70 mA |
| Output current I _{max} ·: | 100 mA |
| Output load capacitive: | 100 nF |
| Output load inductive: | 1 H |
| Initialization time: | 1 s |
| Dimensions (W x H x D): | 25 mm x 1,152.4 mm x 8 mm |
| Housing material: | PMMA |
| Indication: | LED |
| Circuit protection: | Output Q short-circuit protected Interference suppression VS connections reverse-polarity protected |
| Weight: | 140 g |
| Switching frequency: | 500 kHz |
| Aluminum stabilizer: | With stabilizer |
| Synchronization: | Optical |

^{1) 2)} Without load

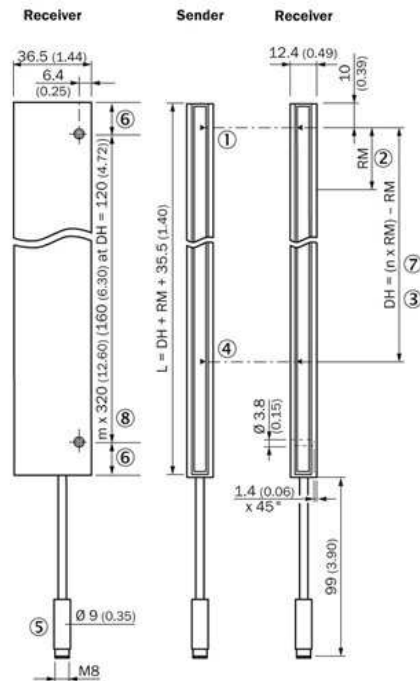
Ambient data

| | |
|-------------------------|--|
| Protection class: | III |
| EMC: | EN 60947-5-2 |
| Ambient temperature: | Operation: -25 ... +55 °C Storage: -25 ... +70 °C |
| Vibration resistance: | 5 g, 10 Hz ... 55 Hz (IEC 68-2-6) |
| Shock load: | 10 g/DIN EN 60068-2-29/16 ms |
| Ambient light immunity: | Direct: ≥100,000 lx, Indirect: ≥150,000 lx ¹⁾ |

1) Sunlight

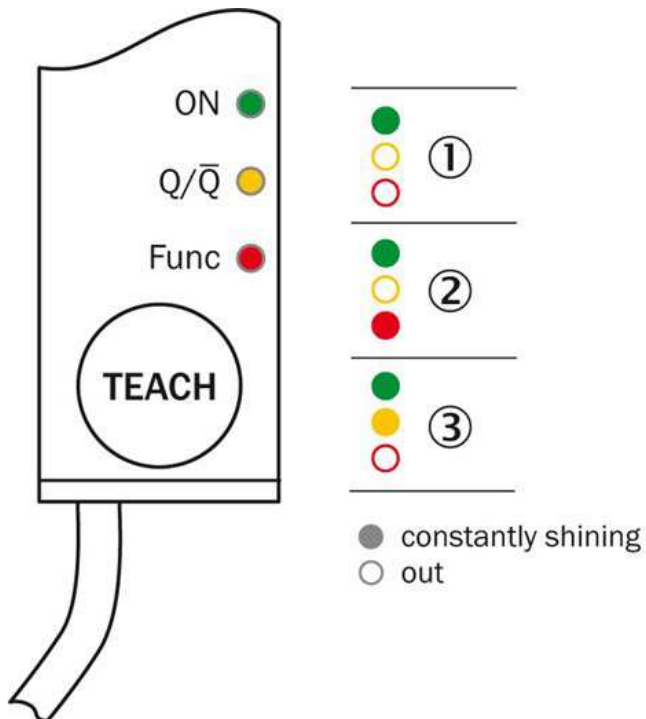
Dimensional drawing

Flat, with stabilizer



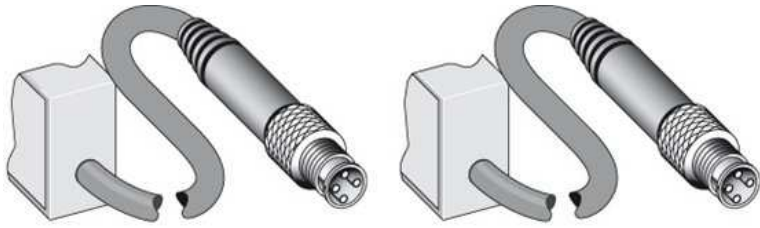
- |1| Last beam
- |2| Beam separation RM
- |3| DH - Detection height (n x 40 mm) - RM
- |4| First beam
- |5| Connection
- |6| Same distance
- |7| n = beam
- |8| m = mounting hole

Receiver, LED indication

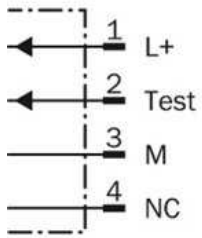


- |1| Supply voltage
- |2| Active, if teach-in button is pressed
- |3| No object in the light path

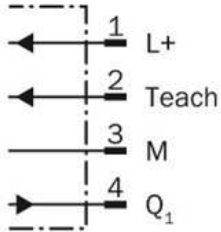
Connection type and diagram



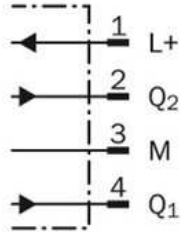
Sender



Receiver PNP/NPN



Receiver 2 x PNP/2 x NPN



Special functions

Image Unavailable
f:\Saqqara\im0056644.jpg

Setting the switching threshold

Image Unavailable
f:\Saqqara\im0056646.jpg

Configuration mode

Image Unavailable
f:\Saqqara\im0056648.jpg

Australia

Phone +61 3 9457 0600
1800 33 48 02 – tollfree
E-Mail sales@sick.com.au

Belgium/Luxembourg

Phone +32 (0)2 466 55 66
E-Mail info@sick.be

Brasil

Phone +55 11 3215-4900
E-Mail marketing@sick.com.br

Canada

Phone +1 905 771 14 44
E-Mail information@sick.com

Česká republika

Phone +420 2 57 91 18 50
E-Mail sick@sick.cz

China

Phone +86 4000 121 000
E-Mail info.china@sick.net.cn
Phone +852-2153 6300
E-Mail ghk@sick.com.hk

Danmark

Phone +45 45 82 64 00
E-Mail sick@sick.dk

Deutschland

Phone +49 211 5301-301
E-Mail info@sick.de

España

Phone +34 93 480 31 00
E-Mail info@sick.es

France

Phone +33 1 64 62 35 00
E-Mail info@sick.fr

Great Britain

Phone +44 (0)1727 831121
E-Mail info@sick.co.uk

India

Phone +91-22-4033 8333
E-Mail info@sick-india.com

Israel

Phone +972-4-6881000
E-Mail info@sick-sensors.com

Italia

Phone +39 02 27 43 41
E-Mail info@sick.it

Japan

Phone +81 (0)3 5309 2112
E-Mail support@sick.jp

Magyarország

Phone +36 1 371 2680
E-Mail office@sick.hu

Nederland

Phone +31 (0)30 229 25 44
E-Mail info@sick.nl

Norge

Phone +47 67 81 50 00
E-Mail sick@sick.no

Österreich

Phone +43 (0)22 36 62 28 8-0
E-Mail office@sick.at

Polska

Phone +48 22 837 40 50
E-Mail info@sick.pl

România

Phone +40 356 171 120
E-Mail office@sick.ro

Russia

Phone +7-495-775-05-30
E-Mail info@sick.ru

Schweiz

Phone +41 41 619 29 39
E-Mail contact@sick.ch

Singapore

Phone +65 6744 3732
E-Mail sales.gsg@sick.com

Slovenija

Phone +386 (0)1-47 69 990
E-Mail office@sick.si

South Africa

Phone +27 11 472 3733
E-Mail info@sickautomation.co.za

South Korea

Phone +82 2 786 6321/4
E-Mail info@sickkorea.net

Suomi

Phone +358-9-25 15 800
E-Mail sick@sick.fi

Sverige

Phone +46 10 110 10 00
E-Mail info@sick.se

Taiwan

Phone +886 2 2375-6288
E-Mail sales@sick.com.tw

Türkiye

Phone +90 (216) 528 50 00
E-Mail info@sick.com.tr

United Arab Emirates

Phone +971 (0) 4 88 65 878
E-Mail info@sick.ae

USA/México

Phone +1(952) 941-6780
1 (800) 325-7425 – tollfree
E-Mail info@sickusa.com

More representatives and agencies
at www.sick.com