



fibers
LL3, Fibers, proximity system

LL3-DH11



Model Name > [LL3-DH11](#)
Part No. > [5326024](#)

im0044509

At a glance

- Easy mounting
- Flush mounting in a single slot
- Background effects are minimized

Your benefits

- Very large selection of fiber-optic cables with plastic and glass fibers, giving users more application flexibility
- Resistant to damage caused by mechanical and chemical stress, as well as high temperatures
- Standard and customer-specific types
- Simple installation saves time
- For detection of objects, surfaces, leading edges, and fluid levels

Features

For fiber-optic sensor:	WLL170-2/WLL170T-2, WLL180T, WLL190T-2
Device type:	Fibers
Jacket material:	Stainless steel
Core material:	Glass
Sleeve material:	PPS
Diameter, connection:	2.2 mm
Mounting sleeve dimension:	35 x 21 x 5 mm
Bend radius, fibre-optic cable:	25 mm
Heat resistance:	250 °C
Ambient temperature operation:	-20 °C ... 250 °C
Minimal object diameter:	0.02 mm ¹⁾
Core structure:	S : 1.2 mm R : 1.5 mm
Fiber-optic cable cuttable:	-
Thread sleeve:	-
Sleeve:	-
90° offset:	-
Flat housing:	✓
High flexible:	-
Long end sleeve:	-
Array:	-
High temperature:	-
Oil/chemical resistant:	-
Lcd/clear material/semiconductor:	✓
Vacuum:	-

Robotics:	-
Retro-reflective:	-
Liquid level:	-
Category fiber-optic cables:	Flat type, LCDs/transparent objects/semiconductors
Fiber length:	3,000 mm

1) Minimum detectable object was determined at optimal measuring distance and optimal setting

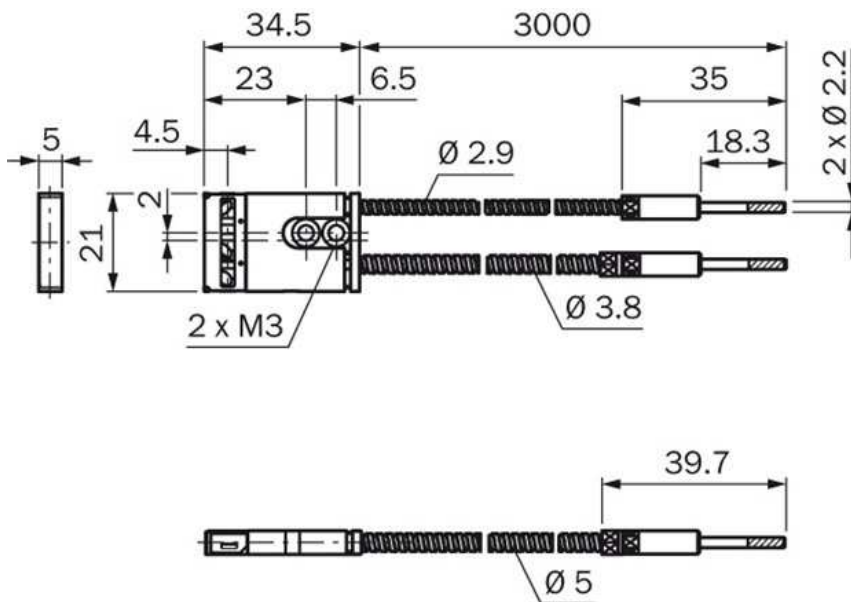
Sensing range with WLL180T

Operating mode 16 μ s:	19 mm
Operating mode 70 μ s:	29 mm
Operating mode 250 μ s:	34 mm
Operating mode 2 ms:	39 mm
Operating mode 8 ms:	42 mm

Sensing range with WLL170-2

Redlight 250 μ s:	24 mm
Greenlight 250 μ s:	24 mm
Highspeed 50 μ s:	24 mm

Dimensional drawing



All dimensions in mm

Australia

Phone +61 3 9457 0600
1800 33 48 02 – tollfree
E-Mail sales@sick.com.au

Belgium/Luxembourg

Phone +32 (0)2 466 55 66
E-Mail info@sick.be

Brasil

Phone +55 11 3215-4900
E-Mail marketing@sick.com.br

Canada

Phone +1 905 771 14 44
E-Mail information@sick.com

Česká republika

Phone +420 2 57 91 18 50
E-Mail sick@sick.cz

China

Phone +86 4000 121 000
E-Mail info.china@sick.net.cn
Phone +852-2153 6300
E-Mail ghk@sick.com.hk

Danmark

Phone +45 45 82 64 00
E-Mail sick@sick.dk

Deutschland

Phone +49 211 5301-301
E-Mail info@sick.de

España

Phone +34 93 480 31 00
E-Mail info@sick.es

France

Phone +33 1 64 62 35 00
E-Mail info@sick.fr

Great Britain

Phone +44 (0)1727 831121
E-Mail info@sick.co.uk

India

Phone +91-22-4033 8333
E-Mail info@sick-india.com

Israel

Phone +972-4-6881000
E-Mail info@sick-sensors.com

Italia

Phone +39 02 27 43 41
E-Mail info@sick.it

Japan

Phone +81 (0)3 5309 2112
E-Mail support@sick.jp

Magyarország

Phone +36 1 371 2680
E-Mail office@sick.hu

Nederland

Phone +31 (0)30 229 25 44
E-Mail info@sick.nl

Norge

Phone +47 67 81 50 00
E-Mail sick@sick.no

Österreich

Phone +43 (0)22 36 62 28 8-0
E-Mail office@sick.at

Polska

Phone +48 22 837 40 50
E-Mail info@sick.pl

România

Phone +40 356 171 120
E-Mail office@sick.ro

Russia

Phone +7-495-775-05-30
E-Mail info@sick.ru

Schweiz

Phone +41 41 619 29 39
E-Mail contact@sick.ch

Singapore

Phone +65 6744 3732
E-Mail sales.gsg@sick.com

Slovenija

Phone +386 (0)1-47 69 990
E-Mail office@sick.si

South Africa

Phone +27 11 472 3733
E-Mail info@sickautomation.co.za

South Korea

Phone +82 2 786 6321/4
E-Mail info@sickkorea.net

Suomi

Phone +358-9-25 15 800
E-Mail sick@sick.fi

Sverige

Phone +46 10 110 10 00
E-Mail info@sick.se

Taiwan

Phone +886 2 2375-6288
E-Mail sales@sick.com.tw

Türkiye

Phone +90 (216) 528 50 00
E-Mail info@sick.com.tr

United Arab Emirates

Phone +971 (0) 4 88 65 878
E-Mail info@sick.ae

USA/México

Phone +1(952) 941-6780
1 (800) 325-7425 – tollfree
E-Mail info@sickusa.com

More representatives and agencies
at www.sick.com