



Photoelectric sensors
W150, Photoelectric retro-reflective sensor,
Standard optics

WL150-N132



Model Name > [WL150-N132](#)
Part No. > [6011033](#)



Illustration may differ

At a glance

- Standard optics
- Polfilter
- Sensing distance of up to 2.4 m
- Version for detection of transparent objects
- Sensitivity control on device via potentiometer
- Light/dark switching selectable via control wire
- Suitable for Diamond Grade reflective tape

Your benefits

- Polarizing filters prevent false readings on reflective surfaces, ensuring reliable object detection
- Reliable detection of transparent objects
- Reliable detection of objects moving at fast speeds
- Highly visible red light for easy alignment



Features

Sensor/detection principle:	Photoelectric retro-reflective sensor, Standard optics
Dimensions (W x H x D):	10 mm x 28 mm x 17.5 mm
Housing design (light emission):	Rectangular
Sensing range max.:	0 m ... 2.4 m ¹⁾
Sensing range:	0.01 m ... 2 m ²⁾
Type of light:	Visible red light
Light source:	LED ³⁾
Sensitivity adjustment:	Potentiometer, 270°
Angle of dispersion:	Ca. 6°

^{1) 2)} PL80A ³⁾ Average service life of 100,000 h at T_A = +25 °C

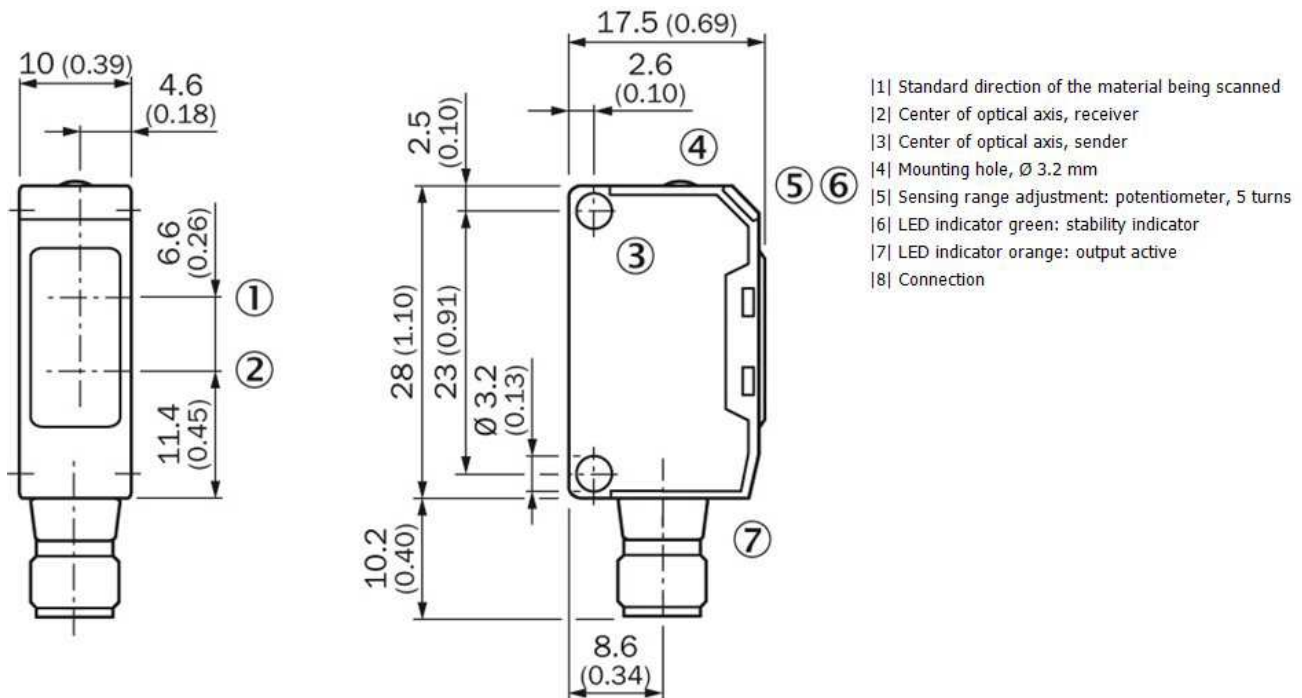
Mechanics/electronics

Supply voltage:	10 V DC ... 30 V DC ¹⁾
Residual ripple:	± 10 % ²⁾
Power consumption:	≤ 20 mA ³⁾
Output type:	NPN, Light/dark-switching, control cable, open collector
Output current I _{max.} :	≤ 100 mA
Response time:	≤ 0.5 ms ⁴⁾
Switching frequency:	1,000 Hz ⁵⁾

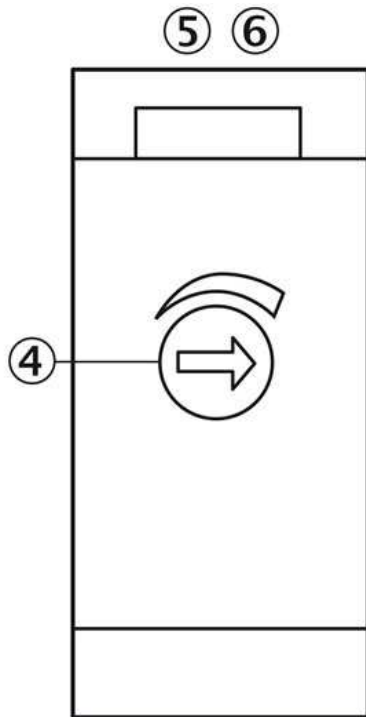
Electrical connection:	Cable, 4-wire, 2 m ⁶⁾
Cable material:	PVC
Conductor cross-section:	0.18 mm ²
Circuit protection:::	A, B, C, D ^{7) 8) 9) 10)}
Protection class:	II
Weight:	44 g
Polarisation filter:	✓
Housing material:	ABS
Optics material:	PMMA
Enclosure rating:	IP 67
Items supplied:	BEF-W150-A mounting bracket, Reflector PL20A
Ambient temperature operation:	-25 °C ... 55 °C
Ambient storage temperature:	-40 °C ... 75 °C
UL File-No.:	UL No. NRNT2.E128350 & cUL No. NRNT8.E128350

1) Limit values 2) May not exceed or fall short of V_S tolerances 3) Without load 4) Signal transit time with resistive load 5) With light/dark ratio 1:1 6) Do not bend below 0 °C 7) A = V_S connections reverse-polarity protected 8) B = inputs and output reverse-polarity protected 9) C = interference suppression 10) D = outputs overcurrent and short-circuit protected

Dimensional drawing

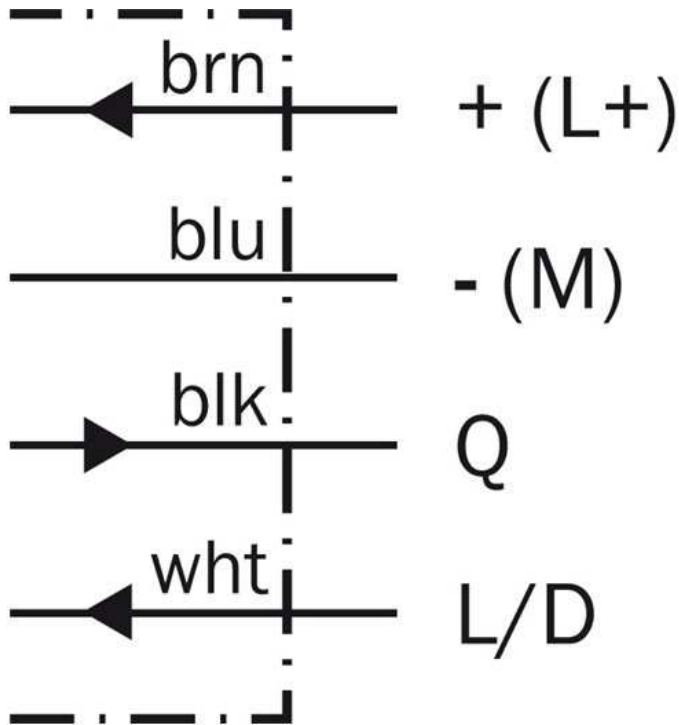


Adjustments possible

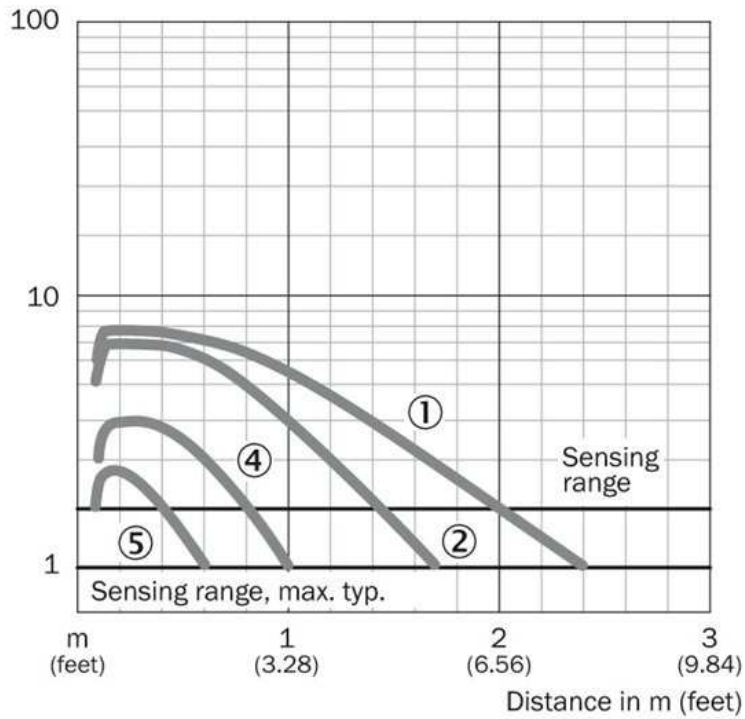


- |5| Sensing range adjustment: potentiometer, 5 turns
- |6| LED indicator green: stability indicator
- |7| LED indicator orange: output active

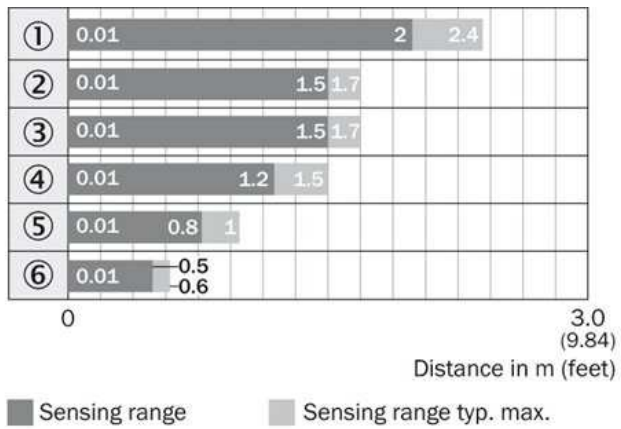
Connection diagram



Characteristic curve



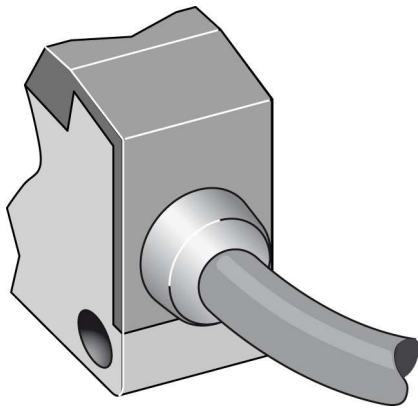
Sensing range diagram



Reflector type

- ① PL80A
- ② PL250
- ③ PL50A or PL40A
- ④ PL30A or PL31A
- ⑤ PL20A
- ⑥ Reflective tape
Diamond Grade

Connection type



Australia

Phone +61 3 9457 0600
1800 33 48 02 – tollfree
E-Mail sales@sick.com.au

Belgium/Luxembourg

Phone +32 (0)2 466 55 66
E-Mail info@sick.be

Brasil

Phone +55 11 3215-4900
E-Mail marketing@sick.com.br

Canada

Phone +1 905 771 14 44
E-Mail information@sick.com

Česká republika

Phone +420 2 57 91 18 50
E-Mail sick@sick.cz

China

Phone +86 4000 121 000
E-Mail info.china@sick.net.cn
Phone +852-2153 6300
E-Mail ghk@sick.com.hk

Danmark

Phone +45 45 82 64 00
E-Mail sick@sick.dk

Deutschland

Phone +49 211 5301-301
E-Mail info@sick.de

España

Phone +34 93 480 31 00
E-Mail info@sick.es

France

Phone +33 1 64 62 35 00
E-Mail info@sick.fr

Great Britain

Phone +44 (0)1727 831121
E-Mail info@sick.co.uk

India

Phone +91-22-4033 8333
E-Mail info@sick-india.com

Israel

Phone +972-4-6881000
E-Mail info@sick-sensors.com

Italia

Phone +39 02 27 43 41
E-Mail info@sick.it

Japan

Phone +81 (0)3 5309 2112
E-Mail support@sick.jp

Magyarország

Phone +36 1 371 2680
E-Mail office@sick.hu

Nederland

Phone +31 (0)30 229 25 44
E-Mail info@sick.nl

Norge

Phone +47 67 81 50 00
E-Mail sick@sick.no

Österreich

Phone +43 (0)22 36 62 28 8-0
E-Mail office@sick.at

Polska

Phone +48 22 837 40 50
E-Mail info@sick.pl

România

Phone +40 356 171 120
E-Mail office@sick.ro

Russia

Phone +7-495-775-05-30
E-Mail info@sick.ru

Schweiz

Phone +41 41 619 29 39
E-Mail contact@sick.ch

Singapore

Phone +65 6744 3732
E-Mail sales.gsg@sick.com

Slovenija

Phone +386 (0)1-47 69 990
E-Mail office@sick.si

South Africa

Phone +27 11 472 3733
E-Mail info@sickautomation.co.za

South Korea

Phone +82 2 786 6321/4
E-Mail info@sickkorea.net

Suomi

Phone +358-9-25 15 800
E-Mail sick@sick.fi

Sverige

Phone +46 10 110 10 00
E-Mail info@sick.se

Taiwan

Phone +886 2 2375-6288
E-Mail sales@sick.com.tw

Türkiye

Phone +90 (216) 528 50 00
E-Mail info@sick.com.tr

United Arab Emirates

Phone +971 (0) 4 88 65 878
E-Mail info@sick.ae

USA/México

Phone +1(952) 941-6780
1 (800) 325-7425 – tollfree
E-Mail info@sickusa.com

More representatives and agencies
at www.sick.com