



## Photoelectric sensors

VT18-2T1450



**Model Name** > [VT18-2T1450](#)

**Part No.** > [6011375](#)



*Illustration may differ*

### At a glance

- Cylindrical M18 housing
- Three adjustable sensing distances of 100 mm, 200 mm or 400 mm
- Voltage supply of 20 to 253 V AC with TRIAC output

### Your benefits

- Simple, standardized design ensures easy mounting, alignment and replacement
- For connection to alternating voltage



### Features

Sensor/detection principle:	Photoelectric proximity sensor, energetic
Housing design (light emission):	straight
Housing length:	92 mm
Thread diameter (housing):	M18 x 1
Optical axis:	axial
Sensing range max.:	2 mm ... 400 mm <sup>1)</sup>
Sensing range:	3 mm ... 360 mm
Type of light:	Infrared light
Light source:	LED <sup>2)</sup>
Light spot (distance):	48 mm (400 mm)
Angle of dispersion:	3.5 °
Adjustment:	no/fix

<sup>1)</sup> Object with 90 % reflectance (referred to standard white DIN 5033) <sup>2)</sup> Average service life of 100,000 h at  $T_A = +25\text{ °C}$

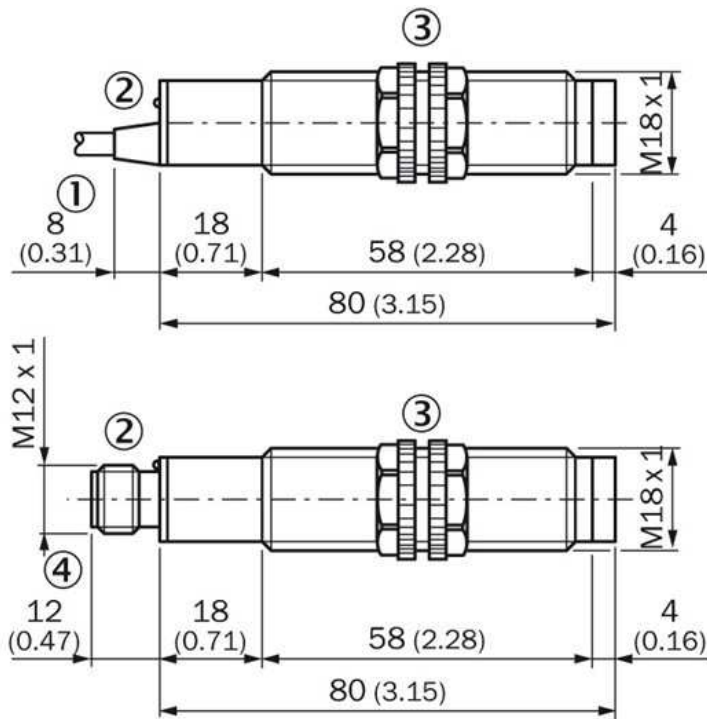
### Mechanics/electronics

Supply voltage:	20 V AC ... 253 V AC <sup>1)</sup>
Mains frequency:	50 Hz 60 Hz
Power consumption:	≤ 30 mA <sup>2)</sup>
Output type:	TRIAC, light switching
Output current I <sub>max.</sub> :	300 mA <sup>3)</sup>
Response time:	≤ 20 ms <sup>4)</sup>
Switching frequency:	25 Hz with light/dark ratio 1:1 <sup>5)</sup>
Electrical connection:	Connector M12, 4-pin

Circuit protection: C  
 Protection class: III  
 Weight: 30 g  
 Housing material: PBT/PC  
 Optics material: PMMA  
 Enclosure rating: IP 67  
 Ambient temperature operation: -25 °C ... 70 °C

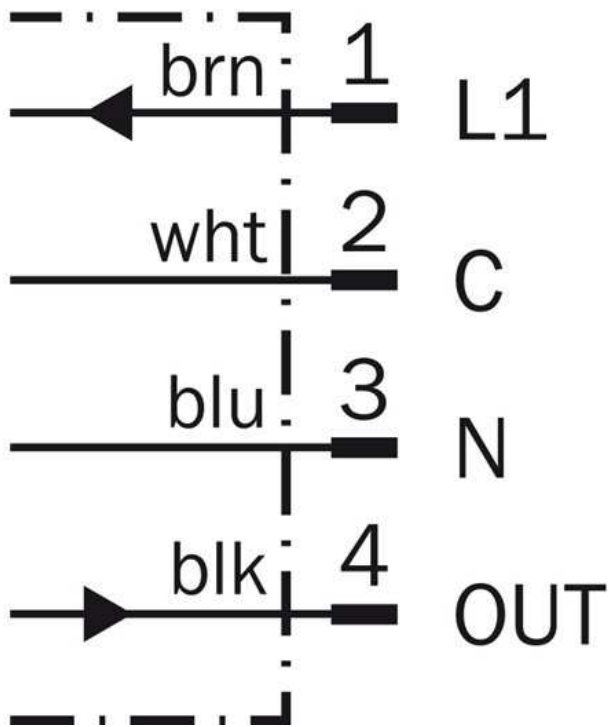
1) Limit values 2) Without load 3) Depending on supply voltage VS 4) Signal transit time with resistive load 5) With light/dark ratio 1:1 6) C = interference suppression

### Dimensional drawing

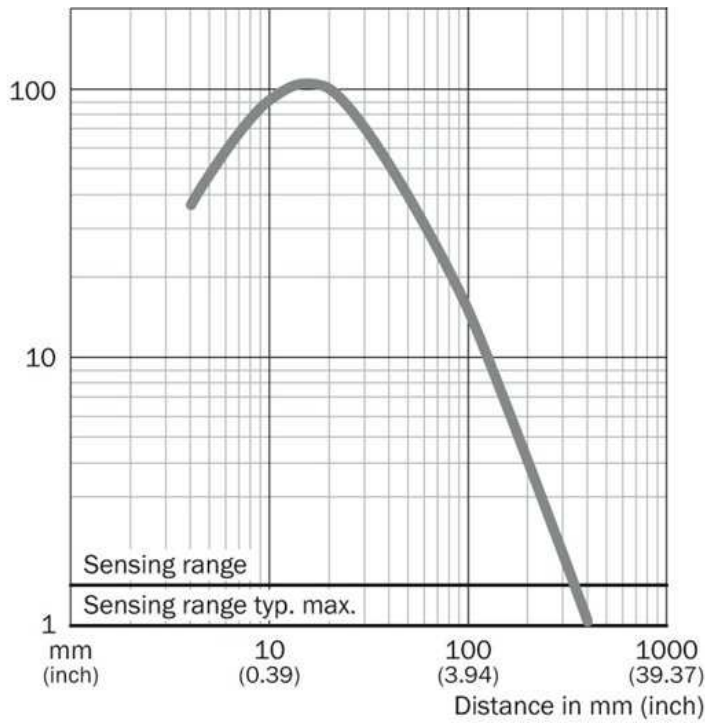


- |1| Connection cable
- |2| LED signal strength indicator
- |3| Fastening nuts, 22 mm hex (included)
- |4| Connector M12, 4- pin

Connection diagram

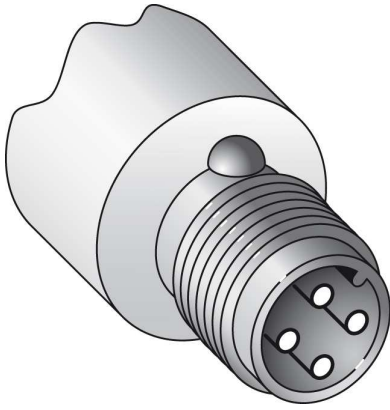


Characteristic curve



Connection type

---



**Australia**

Phone +61 3 9457 0600  
1800 33 48 02 – tollfree  
E-Mail sales@sick.com.au

**Belgium/Luxembourg**

Phone +32 (0)2 466 55 66  
E-Mail info@sick.be

**Brasil**

Phone +55 11 3215-4900  
E-Mail marketing@sick.com.br

**Canada**

Phone +1 905 771 14 44  
E-Mail information@sick.com

**Česká republika**

Phone +420 2 57 91 18 50  
E-Mail sick@sick.cz

**China**

Phone +86 4000 121 000  
E-Mail info.china@sick.net.cn  
Phone +852-2153 6300  
E-Mail ghk@sick.com.hk

**Danmark**

Phone +45 45 82 64 00  
E-Mail sick@sick.dk

**Deutschland**

Phone +49 211 5301-301  
E-Mail info@sick.de

**España**

Phone +34 93 480 31 00  
E-Mail info@sick.es

**France**

Phone +33 1 64 62 35 00  
E-Mail info@sick.fr

**Great Britain**

Phone +44 (0)1727 831121  
E-Mail info@sick.co.uk

**India**

Phone +91-22-4033 8333  
E-Mail info@sick-india.com

**Israel**

Phone +972-4-6881000  
E-Mail info@sick-sensors.com

**Italia**

Phone +39 02 27 43 41  
E-Mail info@sick.it

**Japan**

Phone +81 (0)3 5309 2112  
E-Mail support@sick.jp

**Magyarország**

Phone +36 1 371 2680  
E-Mail office@sick.hu

**Nederland**

Phone +31 (0)30 229 25 44  
E-Mail info@sick.nl

**Norge**

Phone +47 67 81 50 00  
E-Mail sick@sick.no

**Österreich**

Phone +43 (0)22 36 62 28 8-0  
E-Mail office@sick.at

**Polska**

Phone +48 22 837 40 50  
E-Mail info@sick.pl

**România**

Phone +40 356 171 120  
E-Mail office@sick.ro

**Russia**

Phone +7-495-775-05-30  
E-Mail info@sick.ru

**Schweiz**

Phone +41 41 619 29 39  
E-Mail contact@sick.ch

**Singapore**

Phone +65 6744 3732  
E-Mail sales.gsg@sick.com

**Slovenija**

Phone +386 (0)1-47 69 990  
E-Mail office@sick.si

**South Africa**

Phone +27 11 472 3733  
E-Mail info@sickautomation.co.za

**South Korea**

Phone +82 2 786 6321/4  
E-Mail info@sickkorea.net

**Suomi**

Phone +358-9-25 15 800  
E-Mail sick@sick.fi

**Sverige**

Phone +46 10 110 10 00  
E-Mail info@sick.se

**Taiwan**

Phone +886 2 2375-6288  
E-Mail sales@sick.com.tw

**Türkiye**

Phone +90 (216) 528 50 00  
E-Mail info@sick.com.tr

**United Arab Emirates**

Phone +971 (0) 4 88 65 878  
E-Mail info@sick.ae

**USA/México**

Phone +1(952) 941-6780  
1 (800) 325-7425 – tollfree  
E-Mail info@sickusa.com

More representatives and agencies  
at [www.sick.com](http://www.sick.com)