



Capacitive Proximity Sensors Cylindrical threaded housing, CM30

CM30-16BPP-KC1



Model Name > **CM30-16BPP-KC1**
Part No. > **6020475**



At a glance

- M30 - cylindrical housing
- Adjustable sensing range from 2 to 16 mm shielded and 4 to 25 mm unshielded
- Best-in-class electromagnetic compatibility
- Short-circuit, reverse polarity, and power-up pulse suppression protection
- LED status indicator
- Sensitivity control via potentiometer
- IP 67 enclosure rating
- Complementary output function

Your benefits

- Reliably detect objects at a long sensing distance up to 25 mm (non-flush)
- Quick and easy adjustment via potentiometer saves installation and setup time
- Simple, cost-saving detection alternative to photoelectric and inductive sensors in applications such as detecting product in a sealed box, container or tank
- High EMC immunity prevents false switching, reduces material loss and increases throughput
- High shock and vibration resistance increases sensor life and reduces maintenance costs



Features

Design:	Cylindrical
Thread size:	M30 x 1.5
Sensing range Sn:	16 mm
Assured sensing range Sa:	11.52 mm
Installation type:	Flush
Switching frequency:	50 Hz
Output type:	PNP
Output function:	Complementary
Electrical wiring:	DC 4-wire
Enclosure rating:	IP 67 ¹⁾
Electrical connection:	Connector M12, 4-pin
Adjustment:	Potentiometer , Sensitivity

¹⁾ According to EN 60529

Mechanics/electronics

Housing material:	Plastic
Supply voltage:	10 V DC ... 36 V
Residual ripple:	$\leq 10\%$ ¹⁾
Voltage drop:	$\leq 2.5\text{ V DC}$ ²⁾
Power consumption:	$\leq 10\text{ mA}$ ³⁾
Time delay before availability:	$\leq 100\text{ ms}$
Hysteresis:	4 % ... 20 %
Repeatability:	$\leq 5\%$ ^{4) 5)}
Temperature drift (of Sr):	$\pm 10\%$
EMC:	According to EN 60947-5-2 ⁶⁾
Output current I _a :	$\leq 200\text{ mA}$
Short-circuit protection:	✓
Reverse polarity protection:	✓
Power-up pulse protection:	✓
Shock and vibration resistance:	30 g, 11 ms/10 ... 55 Hz, 1 mm
Ambient temperature operation:	-25 °C ... +80 °C
Housing cap material:	PBT
Housing length:	79 mm
Thread length:	50 mm
Tightening torque, max.:	7.5 Nm

¹⁾ Of U_b ²⁾ At I_a max ³⁾ Without load ⁴⁾ Of Sr ⁵⁾ U_b and T_a constant ⁶⁾ In EMC critical applications, conducted interference levels may lie in the frequency range of the oscillator. This can cause changes to the output signal.(see operating instructions)

Reduction factors

Note:	The values are reference values which may vary
Metal:	1
Water:	1
PVC:	Ca. 0.4
Oil:	Ca. 0.25

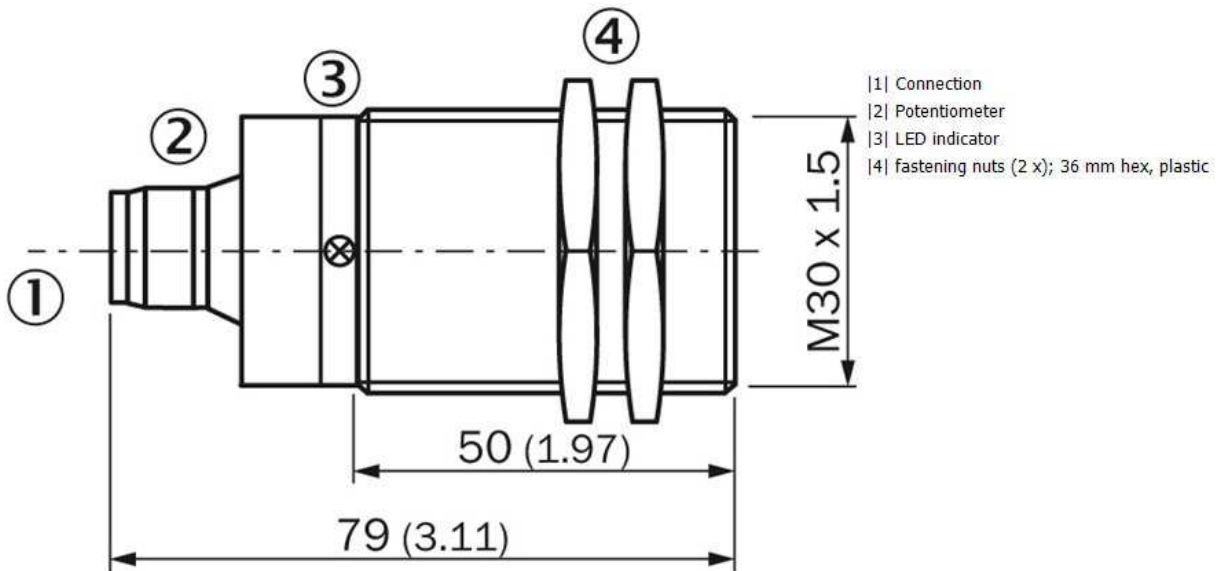
Installation note

Remark:	Associated graphic see "Installation"
B:	30 mm
C:	30 mm
D:	48 mm

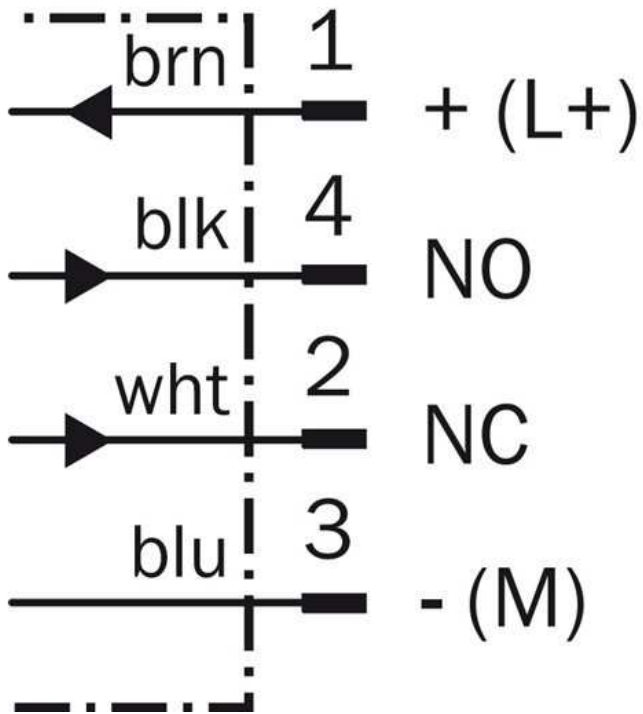
Installation note



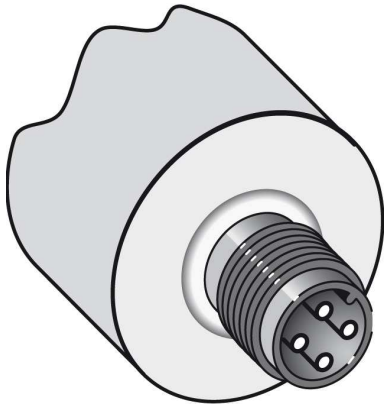
Dimensional drawing



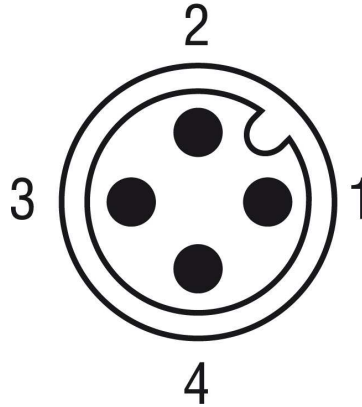
Connection diagram



Connection type



Connection to conveyor



Australia

Phone +61 3 9457 0600
1800 33 48 02 – tollfree
E-Mail sales@sick.com.au

Belgium/Luxembourg

Phone +32 (0)2 466 55 66
E-Mail info@sick.be

Brasil

Phone +55 11 3215-4900
E-Mail marketing@sick.com.br

Canada

Phone +1 905 771 14 44
E-Mail information@sick.com

Česká republika

Phone +420 2 57 91 18 50
E-Mail sick@sick.cz

China

Phone +86 4000 121 000
E-Mail info.china@sick.net.cn
Phone +852-2153 6300
E-Mail ghk@sick.com.hk

Danmark

Phone +45 45 82 64 00
E-Mail sick@sick.dk

Deutschland

Phone +49 211 5301-301
E-Mail info@sick.de

España

Phone +34 93 480 31 00
E-Mail info@sick.es

France

Phone +33 1 64 62 35 00
E-Mail info@sick.fr

Great Britain

Phone +44 (0)1727 831121
E-Mail info@sick.co.uk

India

Phone +91-22-4033 8333
E-Mail info@sick-india.com

Israel

Phone +972-4-6881000
E-Mail info@sick-sensors.com

Italia

Phone +39 02 27 43 41
E-Mail info@sick.it

Japan

Phone +81 (0)3 5309 2112
E-Mail support@sick.jp

Magyarország

Phone +36 1 371 2680
E-Mail office@sick.hu

Nederland

Phone +31 (0)30 229 25 44
E-Mail info@sick.nl

Norge

Phone +47 67 81 50 00
E-Mail sick@sick.no

Österreich

Phone +43 (0)22 36 62 28 8-0
E-Mail office@sick.at

Polska

Phone +48 22 837 40 50
E-Mail info@sick.pl

România

Phone +40 356 171 120
E-Mail office@sick.ro

Russia

Phone +7-495-775-05-30
E-Mail info@sick.ru

Schweiz

Phone +41 41 619 29 39
E-Mail contact@sick.ch

Singapore

Phone +65 6744 3732
E-Mail sales.gsg@sick.com

Slovenija

Phone +386 (0)1-47 69 990
E-Mail office@sick.si

South Africa

Phone +27 11 472 3733
E-Mail info@sickautomation.co.za

South Korea

Phone +82 2 786 6321/4
E-Mail info@sickkorea.net

Suomi

Phone +358-9-25 15 800
E-Mail sick@sick.fi

Sverige

Phone +46 10 110 10 00
E-Mail info@sick.se

Taiwan

Phone +886 2 2375-6288
E-Mail sales@sick.com.tw

Türkiye

Phone +90 (216) 528 50 00
E-Mail info@sick.com.tr

United Arab Emirates

Phone +971 (0) 4 88 65 878
E-Mail info@sick.ae

USA/México

Phone +1(952) 941-6780
1 (800) 325-7425 – tollfree
E-Mail info@sickusa.com

More representatives and agencies
at www.sick.com