



Inductive proximity sensors
Cylindrical threaded housing, IM18 NAMUR

IM18-05B-N-ZW0



Model Name > [IM18-05B-N-ZW0](#)
Part No. > [6021126](#)



At a glance

- Operating distance up to 8 mm
- NAMUR
- ATEX device category 1G and 2G
- Output according to DIN EN 60947-5-6
- Types M18

Your benefits

- Exceptional protection in explosive areas
- Category 1G and 2G for zones 0 and 1 provides protection in explosive areas
- Output according to DIN EN 60947-5-6



Features

Design:	Cylindrical
Thread size:	M18 x 1
Sensing range Sn:	5 mm
Assured sensing range Sa:	4.05 mm
Installation type:	Flush
Switching frequency:	720 Hz
Output type:	NAMUR
Output function:	NC
Enclosure rating:	IP 67 ¹⁾
Electrical connection:	Cable, 2-wire, 2 m

¹⁾ According to EN 60529

Mechanics/electronics

Supply voltage:	7.5 V DC ... 25 V DC ¹⁾
Power consumption:	≤ 30 mA ²⁾
Current consumption, sensor is activated:	≤ 1 mA
Current consumption, sensor is not activated:	≥ 2.2 mA
Hysteresis:	1 % ... 15 %
Temperature drift (of Sr):	± 10 %
EMC:	According to EN 60947-5-6
Cable material:	PVC
Conductor cross-section:	0.5 mm ²
Cable diameter:	5.4 mm

Shock and vibration resistance:	30 g, 11 ms/10 ... 55 Hz, 1 mm
Ambient temperature operation:	-20 °C ... +70 °C
Housing cap material:	Plastic, PBT
Housing length:	33 mm
Thread length:	32 mm
Tightening torque, max.:	35 Nm
Items supplied:	Fastening nuts (2 x); 24 mm hex, metal
EC Approval Certificate:	PTB 03 ATEX 2037
Hazardous area category:	1G, 2G
Input voltage U_i max.:	15 V ³⁾
Input power P_i max.:	120 mW ⁴⁾
Input current I_i max.:	50 mA ⁵⁾
Internal capacitance C_i max.:	145 nF ⁶⁾
Internal inductance L_i max.:	45 μ H ⁷⁾
Nominal voltage:	8.2 V DC
ATEX marking:	II 1 G Ex ia IIB T6 Ta: -20 °C ... +70 °C, II 2 G Ex ia IIC T6 Ta: -20 °C ... +70 °C
Cable resistance:	50 Ω
Housing material:	Metal, Nickel-plated brass
Weight:	171 g

1) 2) When used outside the hazardous area 3) 4) 5) 6) 7) For connection only to a separately certified, intrinsically safe electrical circuit

Reduction factors

Note:	The values are reference values which may vary
Stainless steel (V2A, 304):	Ca. 0.7
Copper (Cu):	Ca. 0.3
Aluminum (Al):	Ca. 0.4
Brass (Br):	Ca. 0.5

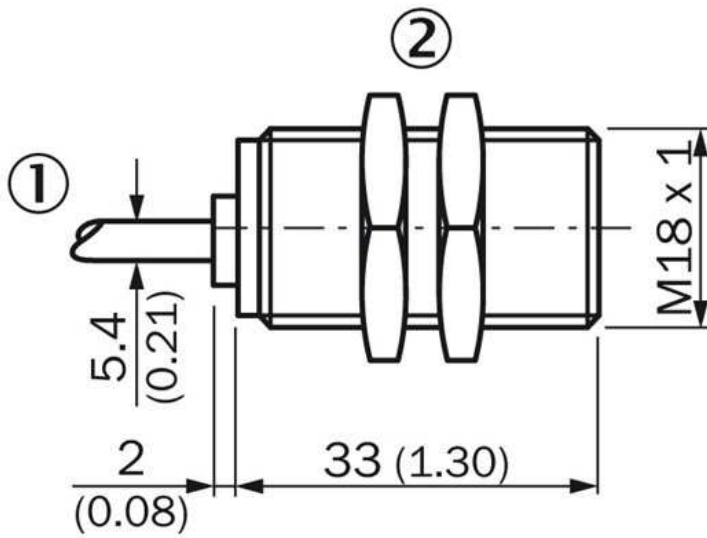
Installation note

B:	18 mm
C:	18 mm
D:	15 mm
F:	40 mm
Remark:	Associated graphic see "Installation"

Installation note



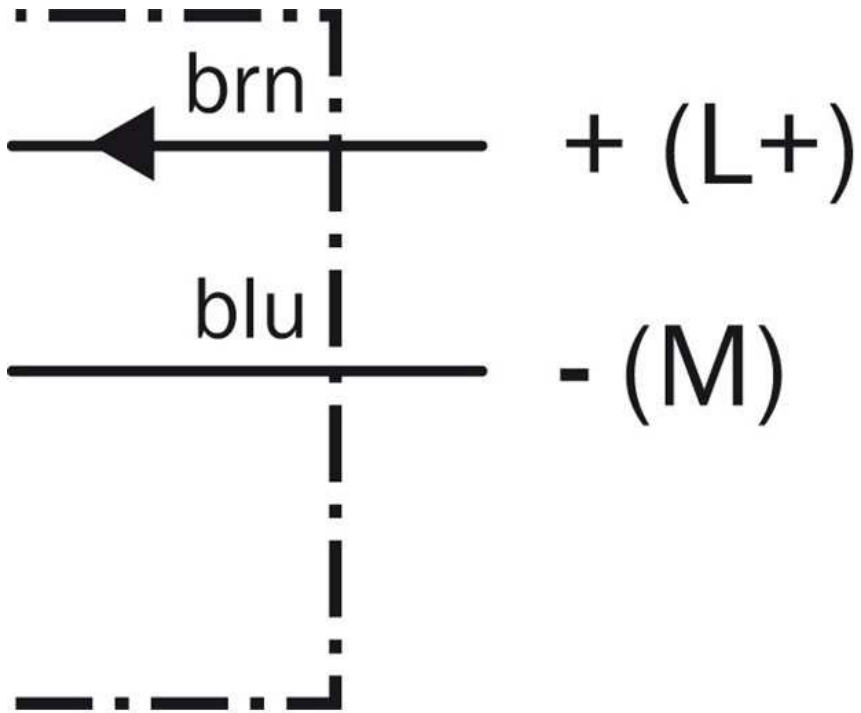
Dimensional drawing



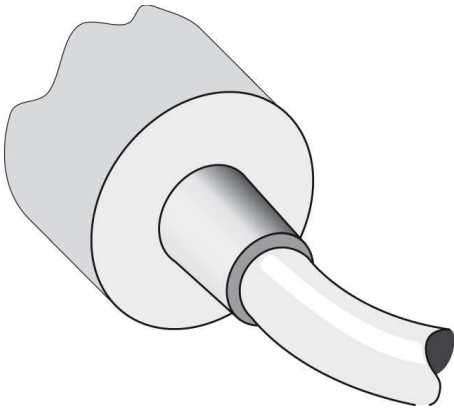
- |1| Connection
- |2| fastening nuts (2 x); 24 mm hex, metal

All dimensions in mm (inch)

Connection diagram



Connection type



Australia

Phone +61 3 9457 0600
1800 33 48 02 – tollfree
E-Mail sales@sick.com.au

Belgium/Luxembourg

Phone +32 (0)2 466 55 66
E-Mail info@sick.be

Brasil

Phone +55 11 3215-4900
E-Mail marketing@sick.com.br

Canada

Phone +1 905 771 14 44
E-Mail information@sick.com

Česká republika

Phone +420 2 57 91 18 50
E-Mail sick@sick.cz

China

Phone +86 4000 121 000
E-Mail info.china@sick.net.cn
Phone +852-2153 6300
E-Mail ghk@sick.com.hk

Danmark

Phone +45 45 82 64 00
E-Mail sick@sick.dk

Deutschland

Phone +49 211 5301-301
E-Mail info@sick.de

España

Phone +34 93 480 31 00
E-Mail info@sick.es

France

Phone +33 1 64 62 35 00
E-Mail info@sick.fr

Great Britain

Phone +44 (0)1727 831121
E-Mail info@sick.co.uk

India

Phone +91-22-4033 8333
E-Mail info@sick-india.com

Israel

Phone +972-4-6881000
E-Mail info@sick-sensors.com

Italia

Phone +39 02 27 43 41
E-Mail info@sick.it

Japan

Phone +81 (0)3 5309 2112
E-Mail support@sick.jp

Magyarország

Phone +36 1 371 2680
E-Mail office@sick.hu

Nederland

Phone +31 (0)30 229 25 44
E-Mail info@sick.nl

Norge

Phone +47 67 81 50 00
E-Mail sick@sick.no

Österreich

Phone +43 (0)22 36 62 28 8-0
E-Mail office@sick.at

Polska

Phone +48 22 837 40 50
E-Mail info@sick.pl

România

Phone +40 356 171 120
E-Mail office@sick.ro

Russia

Phone +7-495-775-05-30
E-Mail info@sick.ru

Schweiz

Phone +41 41 619 29 39
E-Mail contact@sick.ch

Singapore

Phone +65 6744 3732
E-Mail sales.gsg@sick.com

Slovenija

Phone +386 (0)1-47 69 990
E-Mail office@sick.si

South Africa

Phone +27 11 472 3733
E-Mail info@sickautomation.co.za

South Korea

Phone +82 2 786 6321/4
E-Mail info@sickkorea.net

Suomi

Phone +358-9-25 15 800
E-Mail sick@sick.fi

Sverige

Phone +46 10 110 10 00
E-Mail info@sick.se

Taiwan

Phone +886 2 2375-6288
E-Mail sales@sick.com.tw

Türkiye

Phone +90 (216) 528 50 00
E-Mail info@sick.com.tr

United Arab Emirates

Phone +971 (0) 4 88 65 878
E-Mail info@sick.ae

USA/México

Phone +1(952) 941-6780
1 (800) 325-7425 – tollfree
E-Mail info@sickusa.com

More representatives and agencies
at www.sick.com