



Photoelectric sensors
W260, Photoelectric proximity sensor, energetic

WT260-E480



Model Name > [WT260-E480](#)
Part No. > [6021816](#)



At a glance

- Long sensing ranges
- Background suppression or energetic sensory types
- Mounting bracket included in delivery
- Selectable operation mode (light/dark)
- Optional time stages
- M12 connector or terminal chamber
- DC and universal AC/DC voltage versions

Your benefits

- Reliable object detection
- Reliable in difficult ambient light conditions
- Configuration controls are protected by a cover, ensuring less damage and a longer service life
- Simplified integration due to mounting compatibility since variants for DC or DC/AC voltage supply are available in the same design
- Teach button and adjustable time delay versions simplify integration of individual systems



Features

Sensor/detection principle:	Photoelectric proximity sensor, energetic
Dimensions (W x H x D):	25 mm x 78 mm x 63 mm
Housing design (light emission):	Rectangular
Sensing range max.:	10 mm ... 3,200 mm ¹⁾
Sensing range:	15 mm ... 2,500 mm
Type of light:	Infrared light
Light source:	LED ²⁾
Light spot (distance):	80 mm (2,500 mm)
Adjustment of operating distance:	Potentiometer, 270°
Angle of dispersion:	1.8 °

¹⁾ Object with 90 % reflectance (referred to standard white DIN 5033) ²⁾ Average service life 100,000 h at Ta = +25 °C

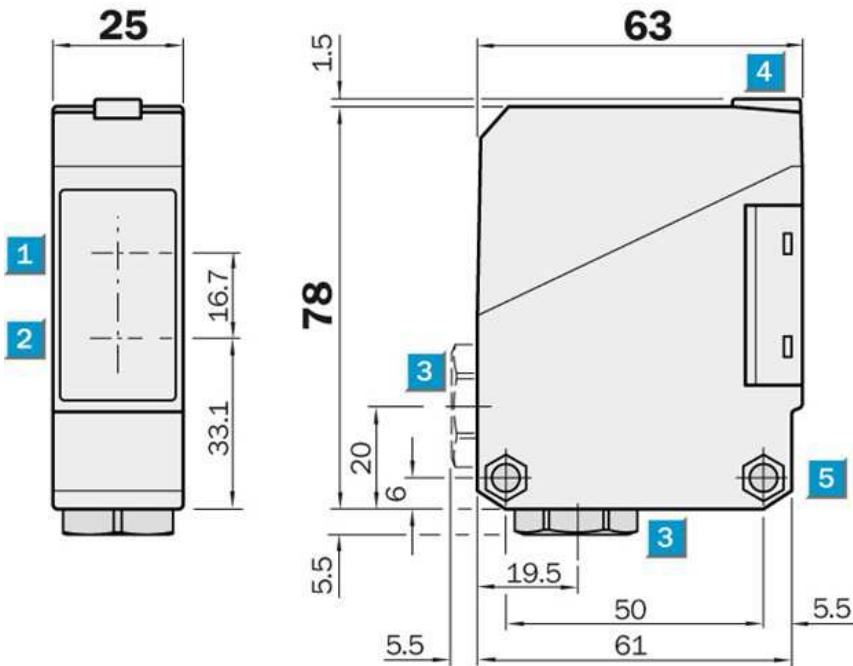
Mechanics/electronics

Supply voltage:	10 V DC ... 30 V DC ¹⁾
Residual ripple:	≤ 5 Vpp ²⁾
Power consumption:	≤ 35 mA ³⁾

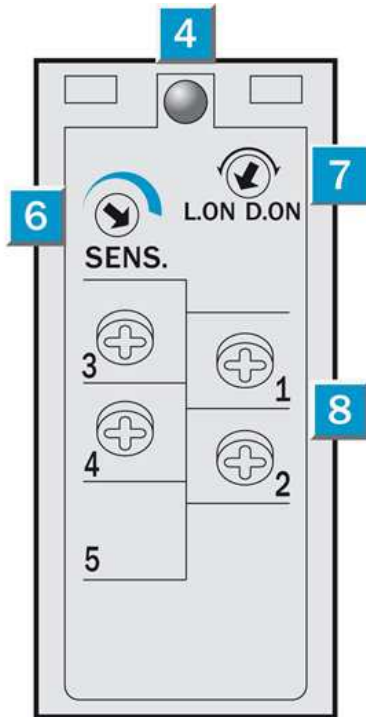
Output type:	NPN, Light/dark-switching, selectable via light/dark selector, open collector
Output current I _{max.} :	100 mA
Response time:	≤ 5 ms ⁴⁾
Switching frequency:	100 Hz ⁵⁾
Electrical connection:	Connector M12, 4-pin
Circuit protection:::::	A, B, C, D ^{6) 7) 8) 9)}
Protection class:	II ¹⁰⁾
Weight:	120 g
Housing material:	ABS
Optics material:	PC
Enclosure rating:	IP 67
Items supplied:	Mounting bracket BEF-W260
Test input sender off:	TE to 0 V
Ambient temperature operation:	-25 °C ... 55 °C
Ambient storage temperature:	-40 °C ... 70 °C
UL File-No.:	UL No. NRNT2.E128350 & cUL No. NRNT8.E128350

¹⁾ Limit values, operation in short-circuit protected network max. 8 A ²⁾ May not exceed or fall short of V_S ³⁾ Without load ⁴⁾ Signal transit time with resistive load ⁵⁾ With light/dark ratio 1:1 ⁶⁾ A = V_S connections reverse-polarity protected ⁷⁾ B = inputs and output reverse-polarity protected ⁸⁾ C = interference suppression ⁹⁾ D = outputs overcurrent and short-circuit protected ¹⁰⁾ Reference voltage 50 V DC

Dimensional drawing

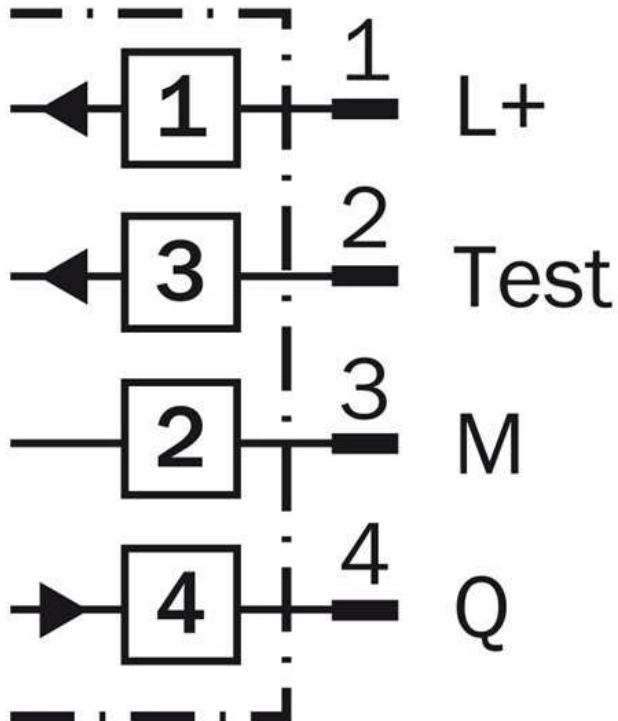


Adjustments possible

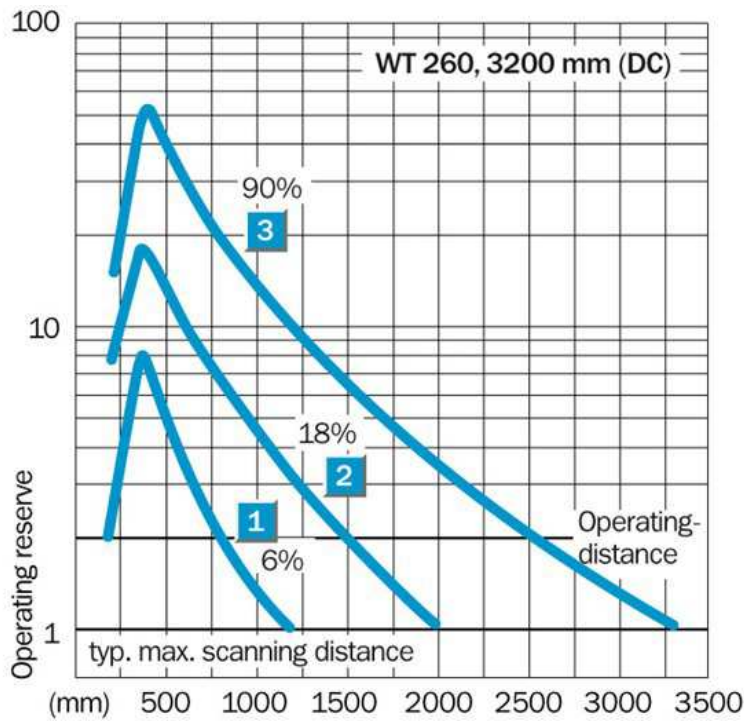


- |4| Status indicator LED, yellow: Output active
- |6| Sensing distance adjustment
- |7| Light/ dark rotary switch L=
light switching, D= dark switching
- |8| Terminals

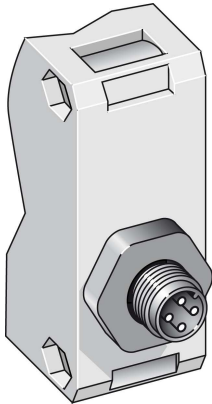
Connection diagram



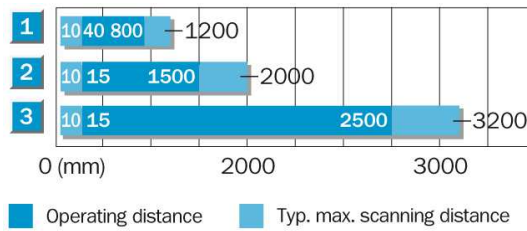
Characteristic curve



Connection type



Sensing range diagram



1	Scanning range on black, 6 % remission
2	Scanning range on grey, 18 % remission
3	Scanning range on white, 90 % remission

Australia

Phone +61 3 9457 0600
1800 33 48 02 – tollfree
E-Mail sales@sick.com.au

Belgium/Luxembourg

Phone +32 (0)2 466 55 66
E-Mail info@sick.be

Brasil

Phone +55 11 3215-4900
E-Mail marketing@sick.com.br

Canada

Phone +1 905 771 14 44
E-Mail information@sick.com

Česká republika

Phone +420 2 57 91 18 50
E-Mail sick@sick.cz

China

Phone +86 4000 121 000
E-Mail info.china@sick.net.cn
Phone +852-2153 6300
E-Mail ghk@sick.com.hk

Danmark

Phone +45 45 82 64 00
E-Mail sick@sick.dk

Deutschland

Phone +49 211 5301-301
E-Mail info@sick.de

España

Phone +34 93 480 31 00
E-Mail info@sick.es

France

Phone +33 1 64 62 35 00
E-Mail info@sick.fr

Great Britain

Phone +44 (0)1727 831121
E-Mail info@sick.co.uk

India

Phone +91-22-4033 8333
E-Mail info@sick-india.com

Israel

Phone +972-4-6881000
E-Mail info@sick-sensors.com

Italia

Phone +39 02 27 43 41
E-Mail info@sick.it

Japan

Phone +81 (0)3 5309 2112
E-Mail support@sick.jp

Magyarország

Phone +36 1 371 2680
E-Mail office@sick.hu

Nederland

Phone +31 (0)30 229 25 44
E-Mail info@sick.nl

Norge

Phone +47 67 81 50 00
E-Mail sick@sick.no

Österreich

Phone +43 (0)22 36 62 28 8-0
E-Mail office@sick.at

Polska

Phone +48 22 837 40 50
E-Mail info@sick.pl

România

Phone +40 356 171 120
E-Mail office@sick.ro

Russia

Phone +7-495-775-05-30
E-Mail info@sick.ru

Schweiz

Phone +41 41 619 29 39
E-Mail contact@sick.ch

Singapore

Phone +65 6744 3732
E-Mail sales.gsg@sick.com

Slovenija

Phone +386 (0)1-47 69 990
E-Mail office@sick.si

South Africa

Phone +27 11 472 3733
E-Mail info@sickautomation.co.za

South Korea

Phone +82 2 786 6321/4
E-Mail info@sickkorea.net

Suomi

Phone +358-9-25 15 800
E-Mail sick@sick.fi

Sverige

Phone +46 10 110 10 00
E-Mail info@sick.se

Taiwan

Phone +886 2 2375-6288
E-Mail sales@sick.com.tw

Türkiye

Phone +90 (216) 528 50 00
E-Mail info@sick.com.tr

United Arab Emirates

Phone +971 (0) 4 88 65 878
E-Mail info@sick.ae

USA/México

Phone +1(952) 941-6780
1 (800) 325-7425 – tollfree
E-Mail info@sickusa.com

More representatives and agencies
at www.sick.com