



## safety command devices Enabling switches, E100

E100-A2A22C05A



**Model Name** > [E100-A2A22C05A](#)  
**Part No.** > [6021917](#)



#### At a glance

- Plastic housing with connected cable
- 3-stage functional structure (off-on-off)
- Slow-action switching elements with four contacts
- Variant with additional plus/minus buttons
- Complies to the standard IEC/EN 60947-5-8

#### Your benefits

- Personal protection with enabling switches: increased safety in setup mode when protective devices are deactivated
- Plus/minus buttons for additional control of direction of movement
- Different cable lengths available to meet customer application requirements

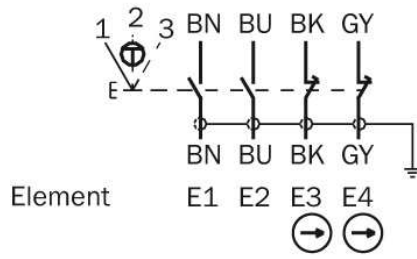


#### Technical data

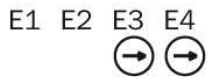
Type of command unit:	Enabling switch
Housing material:	Plastic
Enclosure rating:	IP 67 (EN 60529)
Ambient operating temperature:	-5 °C ... +50 °C
B10d parameter:	5*1E 05 switching cycles
Switching principle:	Slow action switching element
Number of positive action N/C contacts:	2
Number of N/O contacts:	2
Number of N/O contacts, additional button:	0
Usage category:	AC-15/DC-13 (EN 60947-5-1)
Rated operating current (voltage):	2 A (230 V AC)
Mechanical life:	1*1E 05 switching cycles
Electrical connection:	Cable
Plus/minus buttons:	-
Cable material:	PUR
Cable length:	5 m
Type of connection cable:	Coil
Weight:	1.32 kg

**Actuator travel diagram**

2 NO  
2 positive action NC

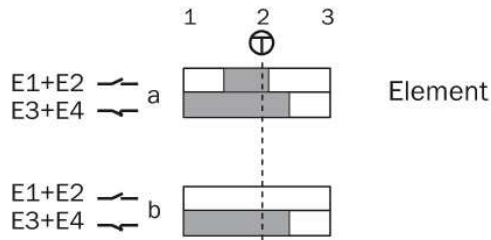
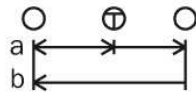


Element



⊕ Positive action NC

⊕ Trigger point

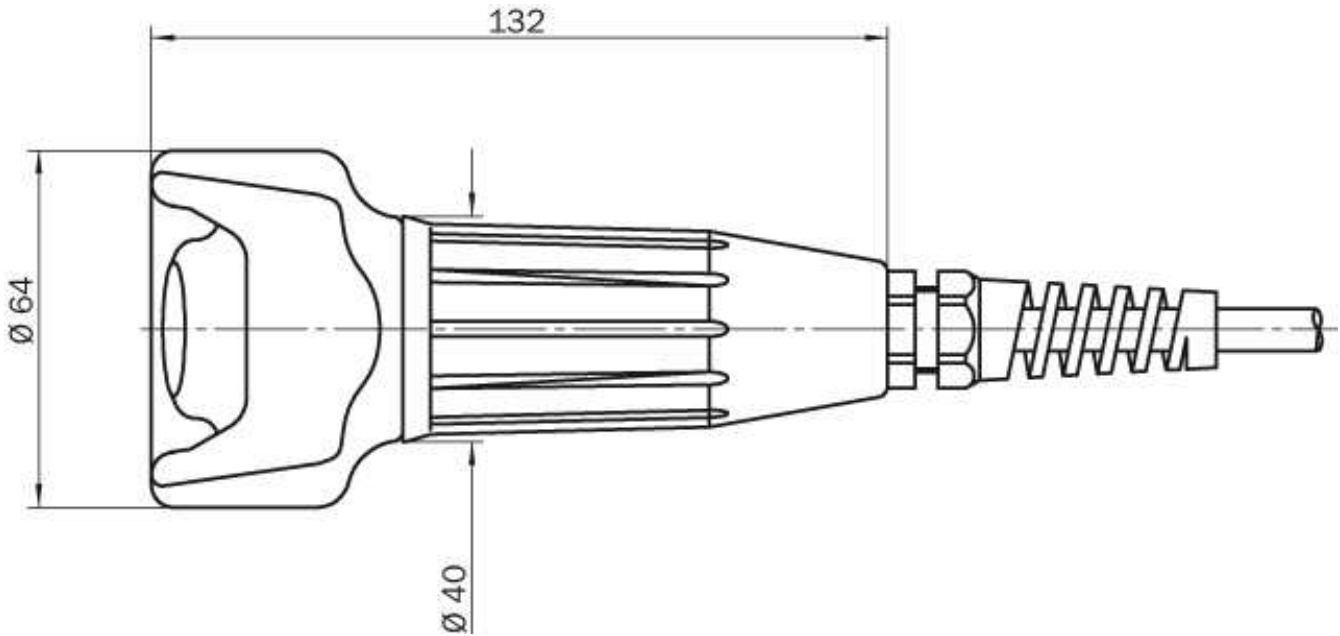


Element

□ Contacts open

■ Contacts closed

**Dimensional drawing**



**Australia**

Phone +61 3 9457 0600  
1800 33 48 02 – tollfree  
E-Mail sales@sick.com.au

**Belgium/Luxembourg**

Phone +32 (0)2 466 55 66  
E-Mail info@sick.be

**Brasil**

Phone +55 11 3215-4900  
E-Mail marketing@sick.com.br

**Canada**

Phone +1 905 771 14 44  
E-Mail information@sick.com

**Česká republika**

Phone +420 2 57 91 18 50  
E-Mail sick@sick.cz

**China**

Phone +86 4000 121 000  
E-Mail info.china@sick.net.cn  
Phone +852-2153 6300  
E-Mail ghk@sick.com.hk

**Danmark**

Phone +45 45 82 64 00  
E-Mail sick@sick.dk

**Deutschland**

Phone +49 211 5301-301  
E-Mail info@sick.de

**España**

Phone +34 93 480 31 00  
E-Mail info@sick.es

**France**

Phone +33 1 64 62 35 00  
E-Mail info@sick.fr

**Great Britain**

Phone +44 (0)1727 831121  
E-Mail info@sick.co.uk

**India**

Phone +91-22-4033 8333  
E-Mail info@sick-india.com

**Israel**

Phone +972-4-6881000  
E-Mail info@sick-sensors.com

**Italia**

Phone +39 02 27 43 41  
E-Mail info@sick.it

**Japan**

Phone +81 (0)3 5309 2112  
E-Mail support@sick.jp

**Magyarország**

Phone +36 1 371 2680  
E-Mail office@sick.hu

**Nederland**

Phone +31 (0)30 229 25 44  
E-Mail info@sick.nl

**Norge**

Phone +47 67 81 50 00  
E-Mail sick@sick.no

**Österreich**

Phone +43 (0)22 36 62 28 8-0  
E-Mail office@sick.at

**Polska**

Phone +48 22 837 40 50  
E-Mail info@sick.pl

**România**

Phone +40 356 171 120  
E-Mail office@sick.ro

**Russia**

Phone +7-495-775-05-30  
E-Mail info@sick.ru

**Schweiz**

Phone +41 41 619 29 39  
E-Mail contact@sick.ch

**Singapore**

Phone +65 6744 3732  
E-Mail sales.gsg@sick.com

**Slovenija**

Phone +386 (0)1-47 69 990  
E-Mail office@sick.si

**South Africa**

Phone +27 11 472 3733  
E-Mail info@sickautomation.co.za

**South Korea**

Phone +82 2 786 6321/4  
E-Mail info@sickkorea.net

**Suomi**

Phone +358-9-25 15 800  
E-Mail sick@sick.fi

**Sverige**

Phone +46 10 110 10 00  
E-Mail info@sick.se

**Taiwan**

Phone +886 2 2375-6288  
E-Mail sales@sick.com.tw

**Türkiye**

Phone +90 (216) 528 50 00  
E-Mail info@sick.com.tr

**United Arab Emirates**

Phone +971 (0) 4 88 65 878  
E-Mail info@sick.ae

**USA/México**

Phone +1(952) 941-6780  
1 (800) 325-7425 – tollfree  
E-Mail info@sickusa.com

More representatives and agencies  
at [www.sick.com](http://www.sick.com)