



Photoelectric sensors
V18, Photoelectric retro-reflective sensor

VL18-2T1162



Model Name > VL18-2T1162
Part No. > 6022092



Illustration may differ

At a glance

- Standard photoelectric sensor family in M18 cylindrical housing
- Scanning distance up to 5 m
- Voltage supply of 20 to 253 V AC with TRIAC output.

Your benefits

- Simple, standardized design ensures easy mounting, alignment and replacement
- For connection to alternating voltage
- Polarizing filter prevents false readings on reflective surfaces, reducing downtime



Features

Sensor/detection principle:	Photoelectric retro-reflective sensor
Housing design (light emission):	Cylindrical, straight, straight
Housing length:	88 mm
Thread diameter (housing):	M18 x 1
Optical axis:	axial
Sensing range max.:	0.005 m ... 3.5 m ¹⁾
Sensing range:	0.01 m ... 3 m ²⁾
Type of light:	Visible red light
Light source:	LED ³⁾
Light spot diameter (distance):	Ø 30 mm (3 m)
Angle of dispersion:	6 °

^{1) 2)} C110A ³⁾ Average service life of 100,000 h at T_A = +25 °C

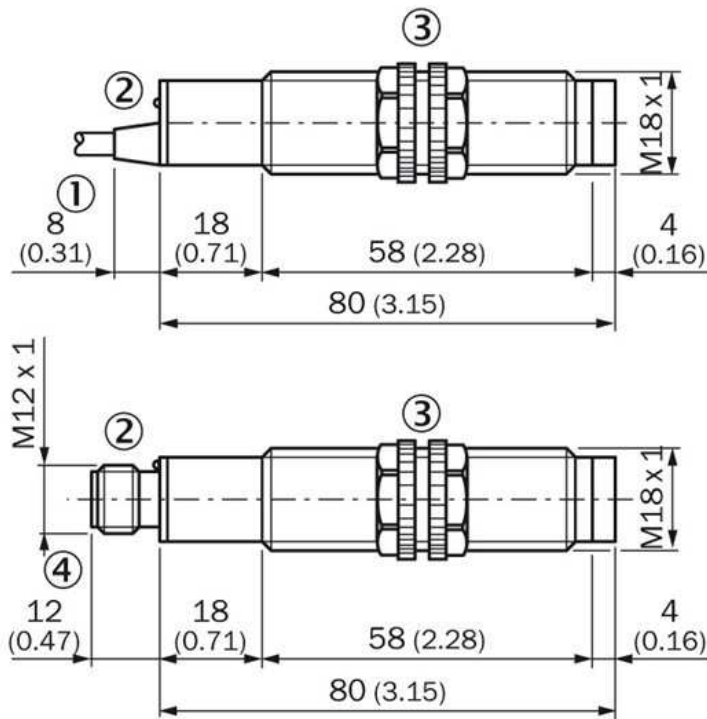
Mechanics/electronics

Supply voltage:	20 V AC ... 253 V AC ¹⁾
Mains frequency:	50 Hz, 60 Hz
Power consumption:	≤ 30 mA ²⁾
Output type:	TRIAC, Light-switching
Output current I _{max} .:	300 mA ³⁾
Response time:	≤ 20 ms ⁴⁾
Switching frequency:	25 Hz ⁵⁾
Electrical connection:	Cable, 3-wire, 2 m ⁶⁾
Cable material:	PVC
Conductor cross-section:	0.34 mm ²
Cable diameter:	4.7 mm

Circuit protection:	C ⁷⁾
Protection class:	III
Weight:	95 g
Polarisation filter:	✓
Housing material:	PBT/PC
Optics material:	PMMA
Enclosure rating:	IP 67
Ambient temperature operation:	-25 °C ... 60 °C
UL File-No.:	UL No. NMFT2.E175606

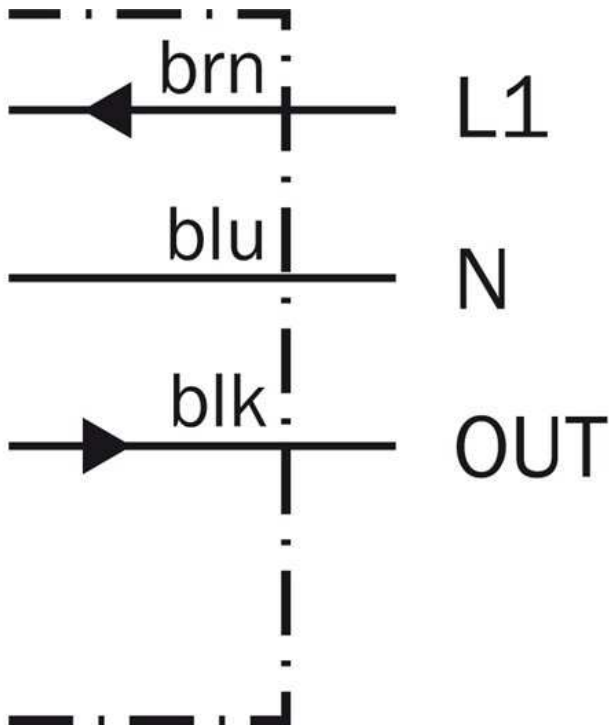
1) Limit values 2) Without load 3) Depending on supply voltage VS 4) Signal transit time with resistive load 5) With light/dark ratio 1:1 6) Do not bend below 0 °C 7) C
= interference suppression

Dimensional drawing

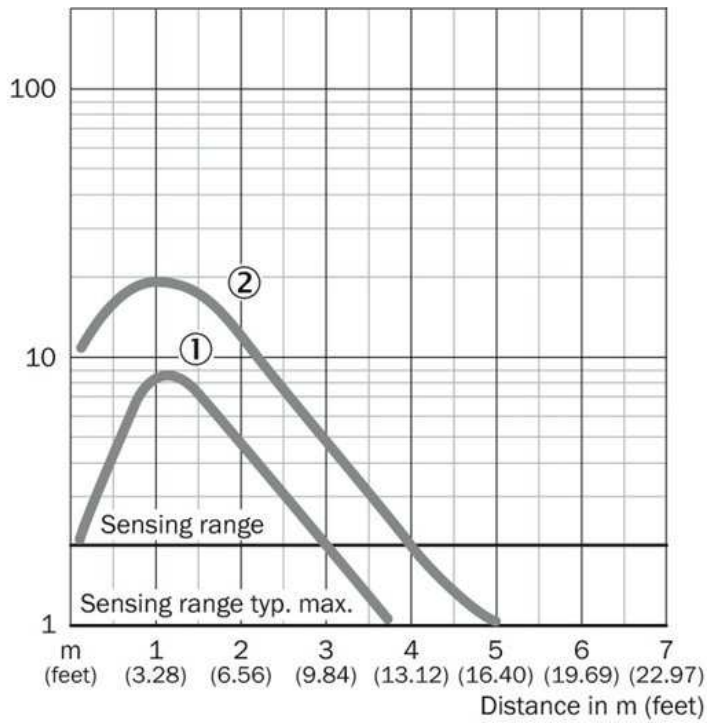


- |1| Connection cable
- |2| LED signal strength indicator
- |3| Fastening nuts, 22 mm hex (included)
- |4| Connector M12, 4- pin

Connection diagram



Characteristic curve



Connection type



Australia

Phone +61 3 9457 0600
1800 33 48 02 – tollfree
E-Mail sales@sick.com.au

Belgium/Luxembourg

Phone +32 (0)2 466 55 66
E-Mail info@sick.be

Brasil

Phone +55 11 3215-4900
E-Mail marketing@sick.com.br

Canada

Phone +1 905 771 14 44
E-Mail information@sick.com

Česká republika

Phone +420 2 57 91 18 50
E-Mail sick@sick.cz

China

Phone +86 4000 121 000
E-Mail info.china@sick.net.cn
Phone +852-2153 6300
E-Mail ghk@sick.com.hk

Danmark

Phone +45 45 82 64 00
E-Mail sick@sick.dk

Deutschland

Phone +49 211 5301-301
E-Mail info@sick.de

España

Phone +34 93 480 31 00
E-Mail info@sick.es

France

Phone +33 1 64 62 35 00
E-Mail info@sick.fr

Great Britain

Phone +44 (0)1727 831121
E-Mail info@sick.co.uk

India

Phone +91-22-4033 8333
E-Mail info@sick-india.com

Israel

Phone +972-4-6881000
E-Mail info@sick-sensors.com

Italia

Phone +39 02 27 43 41
E-Mail info@sick.it

Japan

Phone +81 (0)3 5309 2112
E-Mail support@sick.jp

Magyarország

Phone +36 1 371 2680
E-Mail office@sick.hu

Nederland

Phone +31 (0)30 229 25 44
E-Mail info@sick.nl

Norge

Phone +47 67 81 50 00
E-Mail sick@sick.no

Österreich

Phone +43 (0)22 36 62 28 8-0
E-Mail office@sick.at

Polska

Phone +48 22 837 40 50
E-Mail info@sick.pl

România

Phone +40 356 171 120
E-Mail office@sick.ro

Russia

Phone +7-495-775-05-30
E-Mail info@sick.ru

Schweiz

Phone +41 41 619 29 39
E-Mail contact@sick.ch

Singapore

Phone +65 6744 3732
E-Mail sales.gsg@sick.com

Slovenija

Phone +386 (0)1-47 69 990
E-Mail office@sick.si

South Africa

Phone +27 11 472 3733
E-Mail info@sickautomation.co.za

South Korea

Phone +82 2 786 6321/4
E-Mail info@sickkorea.net

Suomi

Phone +358-9-25 15 800
E-Mail sick@sick.fi

Sverige

Phone +46 10 110 10 00
E-Mail info@sick.se

Taiwan

Phone +886 2 2375-6288
E-Mail sales@sick.com.tw

Türkiye

Phone +90 (216) 528 50 00
E-Mail info@sick.com.tr

United Arab Emirates

Phone +971 (0) 4 88 65 878
E-Mail info@sick.ae

USA/México

Phone +1(952) 941-6780
1 (800) 325-7425 – tollfree
E-Mail info@sickusa.com

More representatives and agencies
at www.sick.com