



Long range distance sensors
Distance sensor, proximity mode

DMT10-1211



Model Name > [DMT10-1211](#)
Part No. > [6022352](#)



Please note: The series has been upgraded. See link "Replacement Product(s)"



Product features

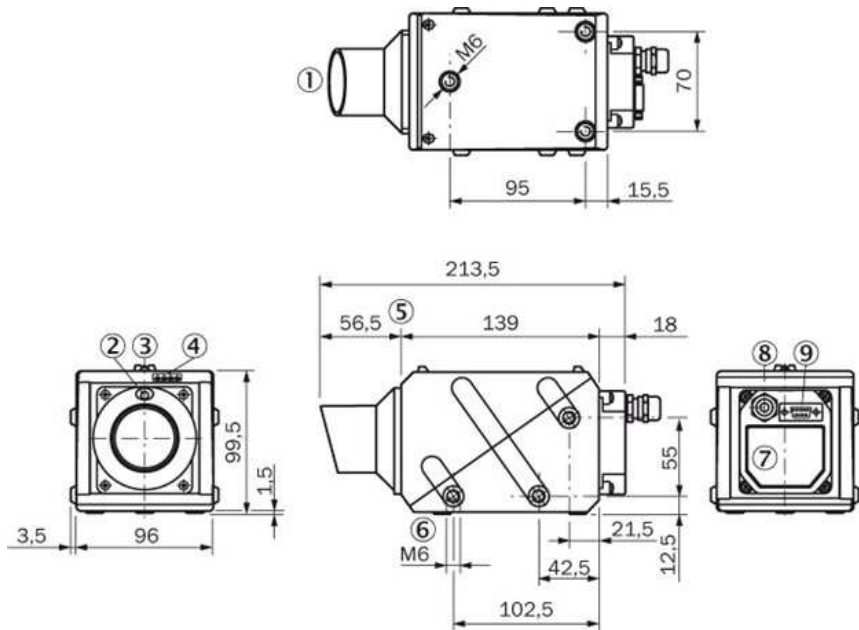
Measurement range min ... max:	0.5 m ... 155 m
Light source::	Laser diode
Type of light:	Laser, infrared light
Laser protection class:	3 A (IEC 825-1/EN 60825-1)
Technology:	Distance sensor, proximity mode
Distance from ... to:	0.5 m ... 155 m

Technical data

Dimensions (W x H x D):	99.5 mm x 99.5 mm x 213.5 mm
Supply voltage min ... max::	DC 18 ... 30 V
Data interface:	Profibus RS-232
Light spot diameter:	25 mm/1m, 70 mm/10 m, 520 mm/100 m
Ripple:	< 5 Vpp
Accuracy of sensor element:	+/- 10 mm
Repeatability:	7 ... 10 mm
Measured value output:	Output rate: 16 ms, 64 ms, 256 ms, 1024 ms, Mean value creation: 16/64/256/1024 values
Connection type:	connector Sub-D, 9-pin
Enclosure rating::	IP 65
Reverse polarity protection:	1
Short-circuit protected::	1
Overload protected:	1
Ambient operation temperature, min ... max::	0 °C ... +40 °C
Ambient storage temperature, min ... max:	-25 °C ... +70 °C
Series:	DMT
Power consumption:	< 6 W
Initialization time:	6 s
Data transmission rate:	1.5 Mbit/s
Analogue output:	0
Resolution:	1 mm

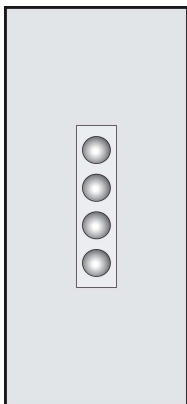
1) 23 °C ambient temperature, 977 hPa, min. switching period 30 min/re-calibration recommended after 25,000 h;

Dimensional drawing

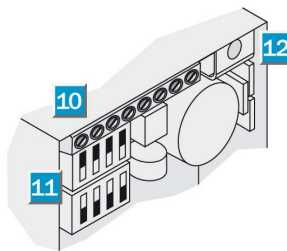


Alle Maße in mm

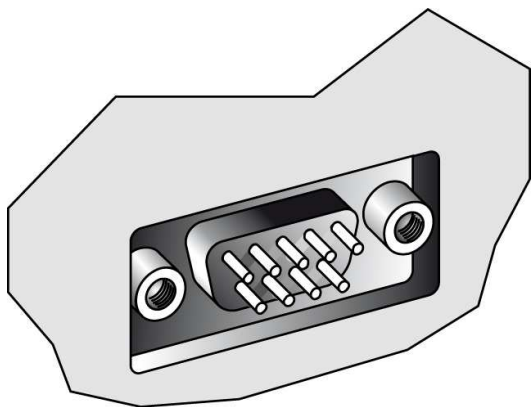
Adjustment possible



Connection type



Connection diagram



Australia

Phone +61 3 9457 0600
1800 33 48 02 – tollfree
E-Mail sales@sick.com.au

Belgium/Luxembourg

Phone +32 (0)2 466 55 66
E-Mail info@sick.be

Brasil

Phone +55 11 3215-4900
E-Mail marketing@sick.com.br

Canada

Phone +1 905 771 14 44
E-Mail information@sick.com

Česká republika

Phone +420 2 57 91 18 50
E-Mail sick@sick.cz

China

Phone +86 4000 121 000
E-Mail info.china@sick.net.cn
Phone +852-2153 6300
E-Mail ghk@sick.com.hk

Danmark

Phone +45 45 82 64 00
E-Mail sick@sick.dk

Deutschland

Phone +49 211 5301-301
E-Mail info@sick.de

España

Phone +34 93 480 31 00
E-Mail info@sick.es

France

Phone +33 1 64 62 35 00
E-Mail info@sick.fr

Great Britain

Phone +44 (0)1727 831121
E-Mail info@sick.co.uk

India

Phone +91-22-4033 8333
E-Mail info@sick-india.com

Israel

Phone +972-4-6881000
E-Mail info@sick-sensors.com

Italia

Phone +39 02 27 43 41
E-Mail info@sick.it

Japan

Phone +81 (0)3 5309 2112
E-Mail support@sick.jp

Magyarország

Phone +36 1 371 2680
E-Mail office@sick.hu

Nederland

Phone +31 (0)30 229 25 44
E-Mail info@sick.nl

Norge

Phone +47 67 81 50 00
E-Mail sick@sick.no

Österreich

Phone +43 (0)22 36 62 28 8-0
E-Mail office@sick.at

Polska

Phone +48 22 837 40 50
E-Mail info@sick.pl

România

Phone +40 356 171 120
E-Mail office@sick.ro

Russia

Phone +7-495-775-05-30
E-Mail info@sick.ru

Schweiz

Phone +41 41 619 29 39
E-Mail contact@sick.ch

Singapore

Phone +65 6744 3732
E-Mail sales.gsg@sick.com

Slovenija

Phone +386 (0)1-47 69 990
E-Mail office@sick.si

South Africa

Phone +27 11 472 3733
E-Mail info@sickautomation.co.za

South Korea

Phone +82 2 786 6321/4
E-Mail info@sickkorea.net

Suomi

Phone +358-9-25 15 800
E-Mail sick@sick.fi

Sverige

Phone +46 10 110 10 00
E-Mail info@sick.se

Taiwan

Phone +886 2 2375-6288
E-Mail sales@sick.com.tw

Türkiye

Phone +90 (216) 528 50 00
E-Mail info@sick.com.tr

United Arab Emirates

Phone +971 (0) 4 88 65 878
E-Mail info@sick.ae

USA/México

Phone +1(952) 941-6780
1 (800) 325-7425 – tollfree
E-Mail info@sickusa.com

More representatives and agencies
at www.sick.com