



Photoelectric sensors
Through-beam photoelectric sensor, Product
group W140-2

WS/WE140-2P430

Model Name > [WS/WE140-2P430](#)
Part No. > [6024791](#)



- Polarisation filter (accessories), consequently no mutual interference when mounted in pairs
- Slotted masks (accessories) for detecting small parts or positioning jobs
- Sensitivity adjustable
- Red light as alignment aid
- LED indicator: operating reserve



Product features

Sensing range min ... max::	0 m ... 13 m, 0 m ... 16 m
Light source::	LED
Type of light:	Red light
Light spot diameter:	Approx. 650 mm at 12 m distance
Laser:	Red light
Sensing range max.:	0 m ... 13 m, 0 m ... 16 m
Sensitivity adjustment:	Potentiometer
Wave length:	680 nm

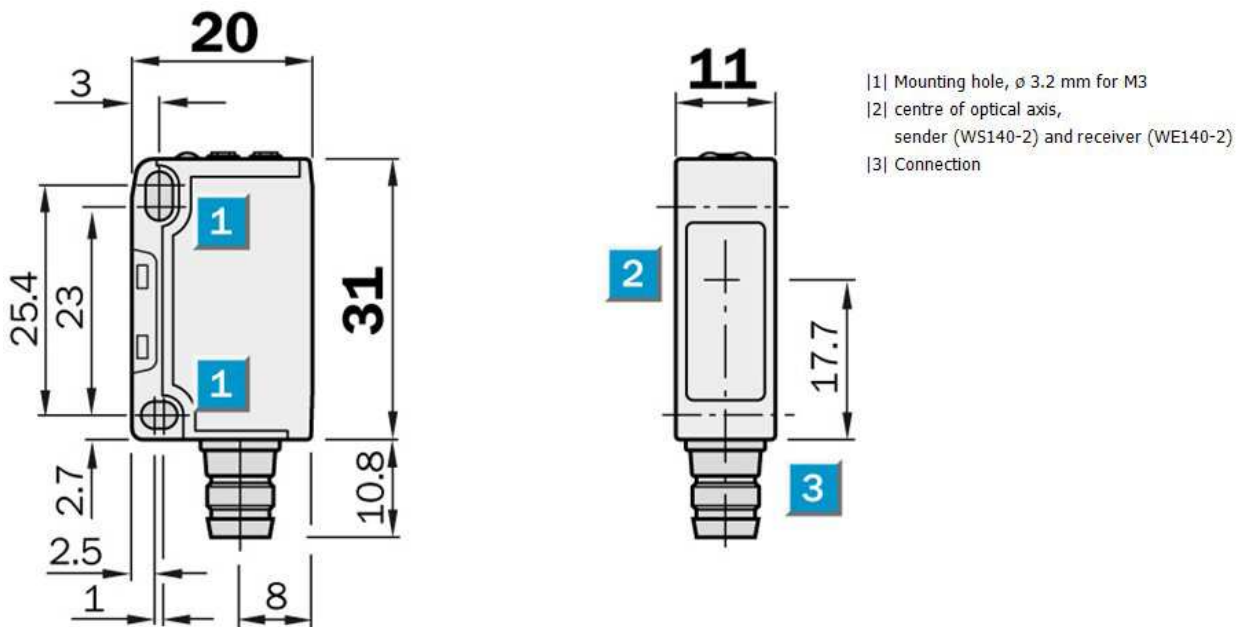
Technical data

Design::	Rectangular
Dimensions (W x H x D):	11 mm x 31 mm x 20 mm
Supply voltage min ... max.:	DC 10 ... 30 V ¹⁾
Ripple:	± 10 %
Output type:	PNP: open collector: Q
Switching mode:	Light/dark switching via rotary switch
Output current max.:	100 mA
Response time.:	≤ 0.5 ms
Switching frequency:	1,000 Hz
Connection type:	Connector, M8, 4-pin
Circuit protection:	V _S connections reverse-polarity protected/In-/outputs short-circuit protected/only WE140-2/Interference suppression/only WE140-2/Outputs overcurrent and short-circuit protected/only WE140-2
Enclosure rating.:	IP 67
Ambient operation temperature, min ... max.:	-25 °C ... +55 °C
Ambient storage temperature, min ... max.:	-40 °C ... +70 °C
Weight:	Ca. 9 g
Housing material:	PBT
Signal voltage PNP HIGH/LOW:	V _S - 1.8 V/approx. 0 V

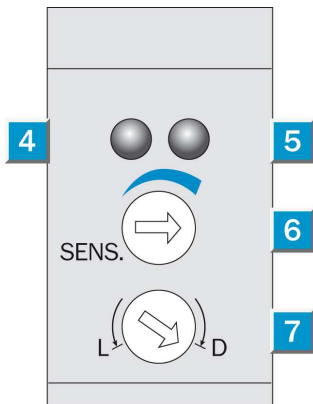
Angle of dispersion:	Ca. 7.6 °
Power consumption, sender:	15
Power consumption, receiver:	≤ 20 mA
Series:	W140-2
Optics material:	PC
Front screen heating:	-
Angle of reception:	Ca. 15 °
Polarisation filter:	-
UL File No.:	NRNT2.E128350 & NRNT8.E128350

1) Limit values, reverse-polarity protected operation in short-circuit protected network max. 8 A

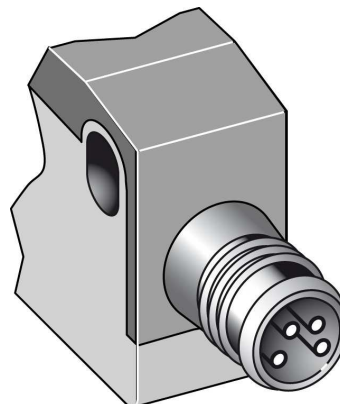
Masszeichnung



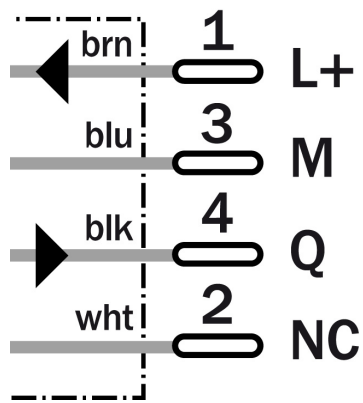
Einstell-Möglichkeiten



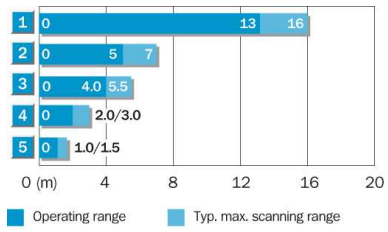
Anschlussart



Anschluss-Schema



Schaltabstand-Diagramm



Scanning range reduction when slotted masks are used

1	Without masks/polarizing filter
2	With polarizing filter tip adapter
3	With slotted mask, width 2.0 mm
4	With slotted mask, width 1.0 mm
5	With slotted mask, width 0.5 mm

Australia

Phone +61 3 9457 0600
1800 33 48 02 – tollfree
E-Mail sales@sick.com.au

Belgium/Luxembourg

Phone +32 (0)2 466 55 66
E-Mail info@sick.be

Brasil

Phone +55 11 3215-4900
E-Mail marketing@sick.com.br

Canada

Phone +1 905 771 14 44
E-Mail information@sick.com

Česká republika

Phone +420 2 57 91 18 50
E-Mail sick@sick.cz

China

Phone +86 4000 121 000
E-Mail info.china@sick.net.cn
Phone +852-2153 6300
E-Mail ghk@sick.com.hk

Danmark

Phone +45 45 82 64 00
E-Mail sick@sick.dk

Deutschland

Phone +49 211 5301-301
E-Mail info@sick.de

España

Phone +34 93 480 31 00
E-Mail info@sick.es

France

Phone +33 1 64 62 35 00
E-Mail info@sick.fr

Great Britain

Phone +44 (0)1727 831121
E-Mail info@sick.co.uk

India

Phone +91-22-4033 8333
E-Mail info@sick-india.com

Israel

Phone +972-4-6881000
E-Mail info@sick-sensors.com

Italia

Phone +39 02 27 43 41
E-Mail info@sick.it

Japan

Phone +81 (0)3 5309 2112
E-Mail support@sick.jp

Magyarország

Phone +36 1 371 2680
E-Mail office@sick.hu

Nederland

Phone +31 (0)30 229 25 44
E-Mail info@sick.nl

Norge

Phone +47 67 81 50 00
E-Mail sick@sick.no

Österreich

Phone +43 (0)22 36 62 28 8-0
E-Mail office@sick.at

Polska

Phone +48 22 837 40 50
E-Mail info@sick.pl

România

Phone +40 356 171 120
E-Mail office@sick.ro

Russia

Phone +7-495-775-05-30
E-Mail info@sick.ru

Schweiz

Phone +41 41 619 29 39
E-Mail contact@sick.ch

Singapore

Phone +65 6744 3732
E-Mail sales.gsg@sick.com

Slovenija

Phone +386 (0)1-47 69 990
E-Mail office@sick.si

South Africa

Phone +27 11 472 3733
E-Mail info@sickautomation.co.za

South Korea

Phone +82 2 786 6321/4
E-Mail info@sickkorea.net

Suomi

Phone +358-9-25 15 800
E-Mail sick@sick.fi

Sverige

Phone +46 10 110 10 00
E-Mail info@sick.se

Taiwan

Phone +886 2 2375-6288
E-Mail sales@sick.com.tw

Türkiye

Phone +90 (216) 528 50 00
E-Mail info@sick.com.tr

United Arab Emirates

Phone +971 (0) 4 88 65 878
E-Mail info@sick.ae

USA/México

Phone +1(952) 941-6780
1 (800) 325-7425 – tollfree
E-Mail info@sickusa.com

More representatives and agencies
at www.sick.com