



safety command devices  
Rope pull switches, i150RP

i150-RP223



**Model Name** > [i150-RP223](#)  
**Part No.** > [6024884](#)

**At a glance**

- Rope lengths up to 75 m, with rope break and rope pull function
- Metal housing with integrated emergency stop push button and fault display
- Rotary unlocking lever
- Available with M20 X 1.5 cable entry gland or Flexi Loop compatible M12 plug connector (depending on variant)
- Slow-action switching elements with four contacts

**Your benefits**

- The emergency stop function can be triggered at any point along the rope
- The long rope length reduces the number of rope pull switches, which saves costs
- Simple adjustment of the rope tension
- Rugged metal housing offers a high level of protection for the rope pull switch
- Integrated emergency stop pushbutton allows users to trigger the emergency stop function at the end of the rope
- User-friendly systems available with many rope lengths
- Additional contacts provide quick and easy diagnostics
- With Flexi Loop: safe series connection including diagnostics with minimal wiring effort

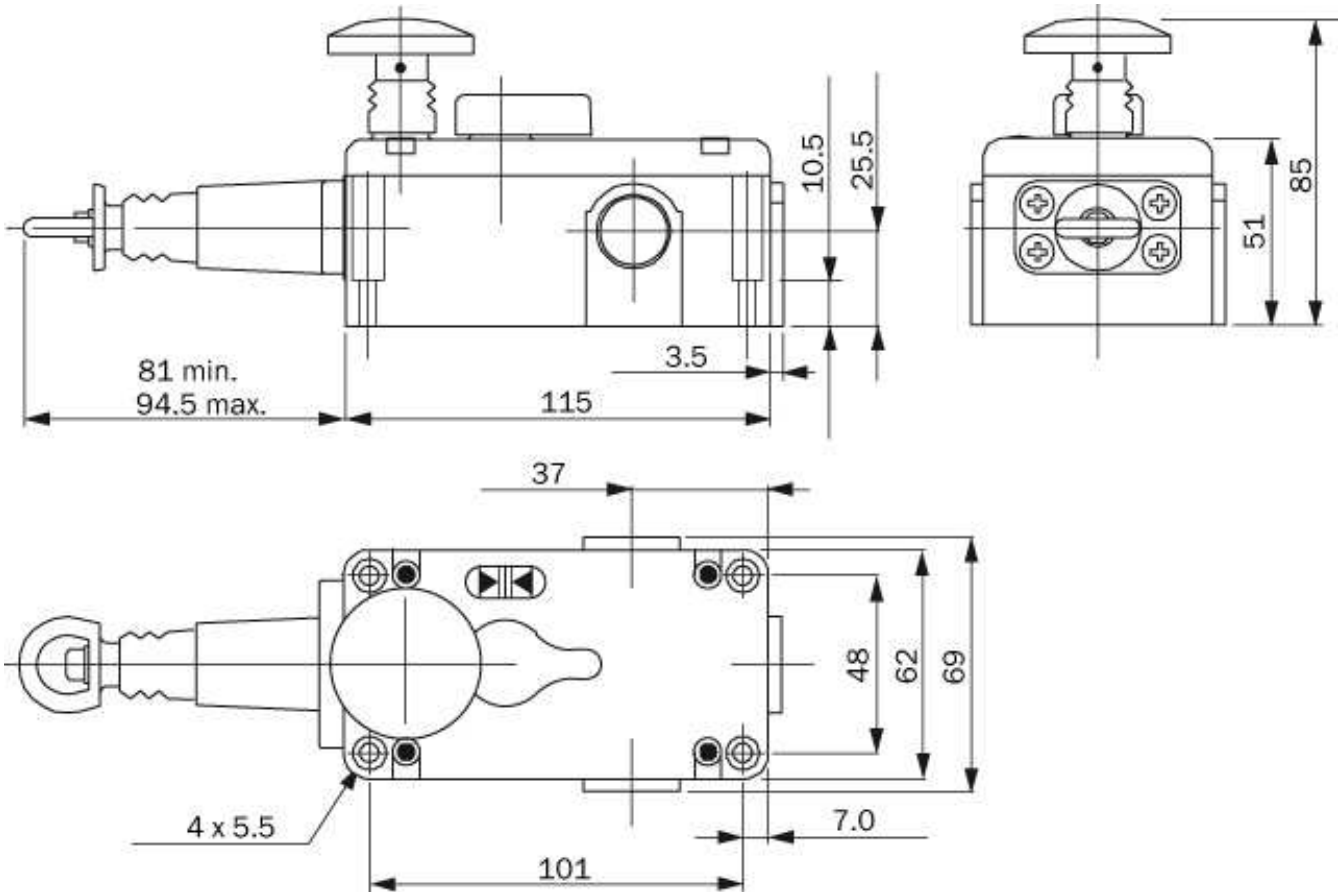


**Technical data**

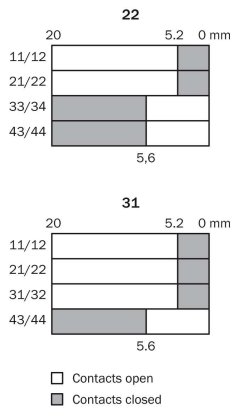
|  |  |
|--|--|
| Type of command unit:                      | Rope pull switches                         |
| Housing material:                          | Metal                                      |
| Surface treatment:                         | Varnished                                  |
| Enclosure rating:                          | IP 65 (IEC 60529)                          |
| Ambient operating temperature:             | -25 °C ... +80 °C                          |
| B10d parameter:                            | 2* 1E 06 switching cycles, with small load |
| Switching principle:                       | Slow action switching element              |
| Number of positive action N/C contacts:    | 2  |
| Number of N/O contacts:                    | 2  |
| Number of N/O contacts, additional button: | 0  |
| Mechanical life (relay contacts):          | 1* 1E 06 switching cycles                  |
| Usage category:                            | AC-15/DC-13 (IEC 60947-5-1)                |
| Rated operating current (voltage):         | 3 A (240 V AC)<br>2 A (24 V DC)            |
| Maximum cord length:                       | 75 m                                       |

Electrical connection: Cable gland, 3 x M20  
 Flexi Loop-compatible plug connector: -  
 Weight: 0.84 kg

**Dimensional drawing**



**Actuator travel diagram**



**Switching elements**

|                      | Rope stack | Rope tensioned | Rope pulled |
|----------------------|------------|----------------|-------------|
|                      |            |                |             |
| Switching element 22 |            |                |             |
| Switching element 31 |            |                |             |

**Switching element 22:**  
 2 positive action N/C contacts + 2 N/O contact

**Switching element 31:**  
 3 positive action N/C contacts + 1 N/O contact

**Australia**

Phone +61 3 9457 0600  
1800 33 48 02 – tollfree  
E-Mail sales@sick.com.au

**Belgium/Luxembourg**

Phone +32 (0)2 466 55 66  
E-Mail info@sick.be

**Brasil**

Phone +55 11 3215-4900  
E-Mail marketing@sick.com.br

**Canada**

Phone +1 905 771 14 44  
E-Mail information@sick.com

**Česká republika**

Phone +420 2 57 91 18 50  
E-Mail sick@sick.cz

**China**

Phone +86 4000 121 000  
E-Mail info.china@sick.net.cn  
Phone +852-2153 6300  
E-Mail ghk@sick.com.hk

**Danmark**

Phone +45 45 82 64 00  
E-Mail sick@sick.dk

**Deutschland**

Phone +49 211 5301-301  
E-Mail info@sick.de

**España**

Phone +34 93 480 31 00  
E-Mail info@sick.es

**France**

Phone +33 1 64 62 35 00  
E-Mail info@sick.fr

**Great Britain**

Phone +44 (0)1727 831121  
E-Mail info@sick.co.uk

**India**

Phone +91-22-4033 8333  
E-Mail info@sick-india.com

**Israel**

Phone +972-4-6881000  
E-Mail info@sick-sensors.com

**Italia**

Phone +39 02 27 43 41  
E-Mail info@sick.it

**Japan**

Phone +81 (0)3 5309 2112  
E-Mail support@sick.jp

**Magyarország**

Phone +36 1 371 2680  
E-Mail office@sick.hu

**Nederland**

Phone +31 (0)30 229 25 44  
E-Mail info@sick.nl

**Norge**

Phone +47 67 81 50 00  
E-Mail sick@sick.no

**Österreich**

Phone +43 (0)22 36 62 28 8-0  
E-Mail office@sick.at

**Polska**

Phone +48 22 837 40 50  
E-Mail info@sick.pl

**România**

Phone +40 356 171 120  
E-Mail office@sick.ro

**Russia**

Phone +7-495-775-05-30  
E-Mail info@sick.ru

**Schweiz**

Phone +41 41 619 29 39  
E-Mail contact@sick.ch

**Singapore**

Phone +65 6744 3732  
E-Mail sales.gsg@sick.com

**Slovenija**

Phone +386 (0)1-47 69 990  
E-Mail office@sick.si

**South Africa**

Phone +27 11 472 3733  
E-Mail info@sickautomation.co.za

**South Korea**

Phone +82 2 786 6321/4  
E-Mail info@sickkorea.net

**Suomi**

Phone +358-9-25 15 800  
E-Mail sick@sick.fi

**Sverige**

Phone +46 10 110 10 00  
E-Mail info@sick.se

**Taiwan**

Phone +886 2 2375-6288  
E-Mail sales@sick.com.tw

**Türkiye**

Phone +90 (216) 528 50 00  
E-Mail info@sick.com.tr

**United Arab Emirates**

Phone +971 (0) 4 88 65 878  
E-Mail info@sick.ae

**USA/México**

Phone +1(952) 941-6780  
1 (800) 325-7425 – tollfree  
E-Mail info@sickusa.com

More representatives and agencies  
at [www.sick.com](http://www.sick.com)