



## Safety relays Main unit UE43-3MF

UE43-3MF2A1



**Model Name** > [UE43-3MF2A1](#)  
**Part No.** > [6024899](#)

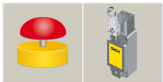


**At a glance**

- Evaluation unit for emergency stop pushbuttons and safety switches
- Cross circuit detection and sequence monitoring for the dual-channel input signal
- Monitoring the discrepancy time is possible
- 3 safety outputs, 1 application diagnostic output
- Combines the advantages of classic relays and easy circuitry
- Manual or automatic reset

**Your benefits**

- Complete monitoring and analysis of sensors
- Fast diagnostics via the status information reduces downtime
- Offers all contact paths needed



**Applications**

Type of switching amplifier:	Main unit
Emergency stop pushbuttons:	✓
Safety switches:	✓
Safety Switch with mechanical lock:	-
Two-hand control systems:	-
Pressure sensitive mats:	-
Opto-electronic protective devices:	-
Opto-electronic protective devices without RES/EDM:	-
Opto-electronic protective devices with RES/EDM:	-
System part:	Safety relays

**Functions**

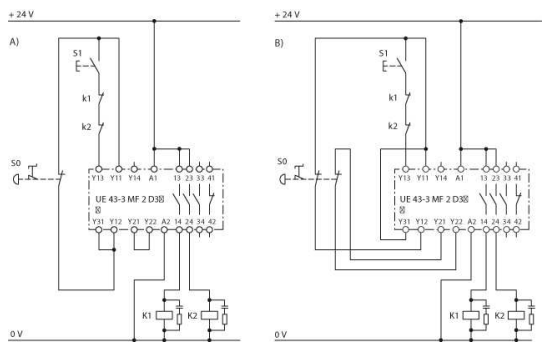
Input circuit::	Single- or dual-channel
Cross-circuit detection:	✓
Reset/restart:	Manual/automatic/configurable
External device monitoring:	✓
Synchronous time monitoring:	✓

**Technical data**

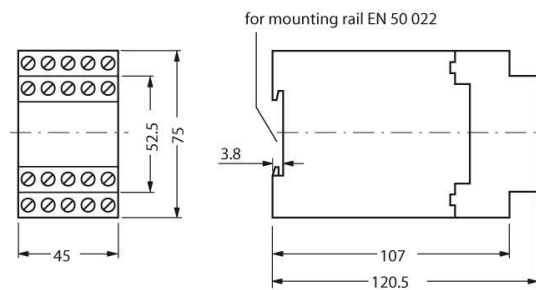
Safety integrity level:	SIL3 (IEC 61508), SILCL3 (IEC 62061)
Category:	category 4 (EN ISO 13849)
Performance level:	PL e (EN ISO 13849)

B10d parameter:	1* 1E 06 switching cycles (AC-15, 230 V, I = 0.5 A) 3.5*1E 05 switching cycles (DC-13, 24 V, I = 2 A) 1.2 * 1E 06 switching cycles (DC-13, 24 V, I = 0.5 A)
PFHd:	3.0 * 1E-08
TM (mission time):	20 a
Stop category:	0, EN 60204
Width:	45 mm
Contact type:	Positively driven
Number of enable current contacts:	3
Number of signalling current contacts:	1
Operating voltage AC:	115 V AC
Maximum power consumption AC:	3.2 VA
Maximum power consumption DC:	2.5 W
Type of output:	Relay contacts
Rated operating current (voltage):	6 A (230 V AC) 3600 switching cycles/h 6 A (24 V DC) 360 switching cycles/h 3 A (24 V DC) 3600 switching cycles/h
Maximum switching current:	6 A
Maximum total current:	18 A
Mechanical life (relay contacts):	1*1E 07 switching cycles
Electrical life (relay contacts):	2* 1E 06 switching cycles, dependent upon loading, details see operating instructions
Enclosure rating:	IP 20
Ambient operating temperature from ... to:	-25 °C ... 55 °C
Connection type:	Screw-type terminals

### Connection diagram



### Dimensional drawing



**Australia**

Phone +61 3 9457 0600  
1800 33 48 02 – tollfree  
E-Mail sales@sick.com.au

**Belgium/Luxembourg**

Phone +32 (0)2 466 55 66  
E-Mail info@sick.be

**Brasil**

Phone +55 11 3215-4900  
E-Mail marketing@sick.com.br

**Canada**

Phone +1 905 771 14 44  
E-Mail information@sick.com

**Česká republika**

Phone +420 2 57 91 18 50  
E-Mail sick@sick.cz

**China**

Phone +86 4000 121 000  
E-Mail info.china@sick.net.cn  
Phone +852-2153 6300  
E-Mail ghk@sick.com.hk

**Danmark**

Phone +45 45 82 64 00  
E-Mail sick@sick.dk

**Deutschland**

Phone +49 211 5301-301  
E-Mail info@sick.de

**España**

Phone +34 93 480 31 00  
E-Mail info@sick.es

**France**

Phone +33 1 64 62 35 00  
E-Mail info@sick.fr

**Great Britain**

Phone +44 (0)1727 831121  
E-Mail info@sick.co.uk

**India**

Phone +91-22-4033 8333  
E-Mail info@sick-india.com

**Israel**

Phone +972-4-6881000  
E-Mail info@sick-sensors.com

**Italia**

Phone +39 02 27 43 41  
E-Mail info@sick.it

**Japan**

Phone +81 (0)3 5309 2112  
E-Mail support@sick.jp

**Magyarország**

Phone +36 1 371 2680  
E-Mail office@sick.hu

**Nederland**

Phone +31 (0)30 229 25 44  
E-Mail info@sick.nl

**Norge**

Phone +47 67 81 50 00  
E-Mail sick@sick.no

**Österreich**

Phone +43 (0)22 36 62 28 8-0  
E-Mail office@sick.at

**Polska**

Phone +48 22 837 40 50  
E-Mail info@sick.pl

**România**

Phone +40 356 171 120  
E-Mail office@sick.ro

**Russia**

Phone +7-495-775-05-30  
E-Mail info@sick.ru

**Schweiz**

Phone +41 41 619 29 39  
E-Mail contact@sick.ch

**Singapore**

Phone +65 6744 3732  
E-Mail sales.gsg@sick.com

**Slovenija**

Phone +386 (0)1-47 69 990  
E-Mail office@sick.si

**South Africa**

Phone +27 11 472 3733  
E-Mail info@sickautomation.co.za

**South Korea**

Phone +82 2 786 6321/4  
E-Mail info@sickkorea.net

**Suomi**

Phone +358-9-25 15 800  
E-Mail sick@sick.fi

**Sverige**

Phone +46 10 110 10 00  
E-Mail info@sick.se

**Taiwan**

Phone +886 2 2375-6288  
E-Mail sales@sick.com.tw

**Türkiye**

Phone +90 (216) 528 50 00  
E-Mail info@sick.com.tr

**United Arab Emirates**

Phone +971 (0) 4 88 65 878  
E-Mail info@sick.ae

**USA/México**

Phone +1(952) 941-6780  
1 (800) 325-7425 – tollfree  
E-Mail info@sickusa.com

More representatives and agencies  
at [www.sick.com](http://www.sick.com)