



Electro-mechanical safety switches Safety locking devices, i200 Lock

i200-M1413 Lock



Model Name > [i200-M1413 Lock](#)
Part No. > [6025119](#)

At a glance

- Compact plastic housing
- Stainless steel entry for actuator
- Either rigid, mobile or bolt actuators available
- 3 M20 x 1.5 cable entry glands
- Locked by spring force and magnetic force
- Lock and door monitoring
- LED locking indicator

Your benefits

- High reliability due to rugged metal actuator head, even when the guard has a mechanical offset
- Flexible electrical connectivity due to three cable entry glands
- Improved diagnostics due to additional contacts for door monitoring and LED lock monitoring
- Different switching elements offer the appropriate solution for electrical installation
- Bolt actuator offers personal protection in the hazardous area and prevents an undesirable restart of the machine



actuator not supplied with delivery

Note: The actuator has to be ordered separately. See "Accessories" for further details.

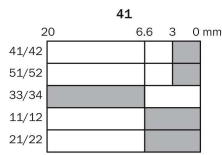
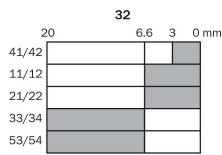


Technical data

Housing material:	Glass-fiber reinforced polyester
Enclosure rating:	IP 65 (IEC 60529)
Ambient operating temperature:	-20 °C ... +60 °C
B10d parameter:	2* 1E 06 switching cycles, with small load
Locking type:	Mechanical
Maximum locking force:	2,000 N
Number of actuation directions:	3
Approach speed:	10 m/min
Switching principle:	Slow action switching element
Number of positive action N/C solenoid monitoring contacts:	2
Number of N/O solenoid monitoring contacts:	0

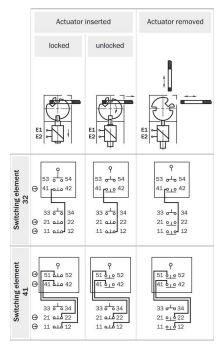
Number of positive action N/C door monitoring contacts:	2
Number of N/O door monitoring contacts:	1
Number of N/C door monitoring contacts:	0
Mechanical life:	1* 1E 06 switching cycles
Usage category:	AC-15/DC-13 (IEC 60947-5-1)
Rated operating current (voltage):	3 A (240 V AC) 3 A (24 V DC)
Solenoid operating voltage:	110 V AC
Electrical connection:	Cable gland
Weight:	0.55 kg

Actuator travel diagram



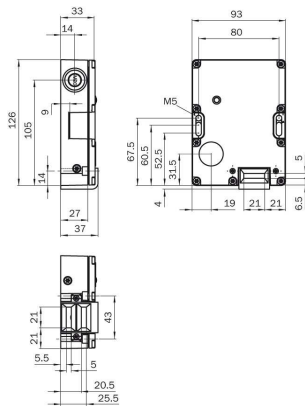
□ Contacts open
■ Contacts closed

Switching elements



Switching element 32:
1 positive action N/C contact + 1 N/O contact + 2 positive action N/C as door contacts + 1 N/O as door contact
Switching element 41:
2 positive action N/C contacts + 2 positive action N/C as door contacts + 1 N/O as door contact

Dimensional drawing



Australia

Phone +61 3 9457 0600
1800 33 48 02 – tollfree
E-Mail sales@sick.com.au

Belgium/Luxembourg

Phone +32 (0)2 466 55 66
E-Mail info@sick.be

Brasil

Phone +55 11 3215-4900
E-Mail marketing@sick.com.br

Canada

Phone +1 905 771 14 44
E-Mail information@sick.com

Česká republika

Phone +420 2 57 91 18 50
E-Mail sick@sick.cz

China

Phone +86 4000 121 000
E-Mail info.china@sick.net.cn
Phone +852-2153 6300
E-Mail ghk@sick.com.hk

Danmark

Phone +45 45 82 64 00
E-Mail sick@sick.dk

Deutschland

Phone +49 211 5301-301
E-Mail info@sick.de

España

Phone +34 93 480 31 00
E-Mail info@sick.es

France

Phone +33 1 64 62 35 00
E-Mail info@sick.fr

Great Britain

Phone +44 (0)1727 831121
E-Mail info@sick.co.uk

India

Phone +91-22-4033 8333
E-Mail info@sick-india.com

Israel

Phone +972-4-6881000
E-Mail info@sick-sensors.com

Italia

Phone +39 02 27 43 41
E-Mail info@sick.it

Japan

Phone +81 (0)3 5309 2112
E-Mail support@sick.jp

Magyarország

Phone +36 1 371 2680
E-Mail office@sick.hu

Nederland

Phone +31 (0)30 229 25 44
E-Mail info@sick.nl

Norge

Phone +47 67 81 50 00
E-Mail sick@sick.no

Österreich

Phone +43 (0)22 36 62 28 8-0
E-Mail office@sick.at

Polska

Phone +48 22 837 40 50
E-Mail info@sick.pl

România

Phone +40 356 171 120
E-Mail office@sick.ro

Russia

Phone +7-495-775-05-30
E-Mail info@sick.ru

Schweiz

Phone +41 41 619 29 39
E-Mail contact@sick.ch

Singapore

Phone +65 6744 3732
E-Mail sales.gsg@sick.com

Slovenija

Phone +386 (0)1-47 69 990
E-Mail office@sick.si

South Africa

Phone +27 11 472 3733
E-Mail info@sickautomation.co.za

South Korea

Phone +82 2 786 6321/4
E-Mail info@sickkorea.net

Suomi

Phone +358-9-25 15 800
E-Mail sick@sick.fi

Sverige

Phone +46 10 110 10 00
E-Mail info@sick.se

Taiwan

Phone +886 2 2375-6288
E-Mail sales@sick.com.tw

Türkiye

Phone +90 (216) 528 50 00
E-Mail info@sick.com.tr

United Arab Emirates

Phone +971 (0) 4 88 65 878
E-Mail info@sick.ae

USA/México

Phone +1(952) 941-6780
1 (800) 325-7425 – tollfree
E-Mail info@sickusa.com

More representatives and agencies
at www.sick.com