



Photoelectric sensors  
VL12-2, Photoelectric retro-reflective sensor

VL12-2N430



**Model Name** > VL12-2N430  
**Part No.** > 6026218



*Illustration may differ*

**At a glance**

- Sensing distance up to 2.8 m (with PL80A reflector)
- Switching reliability with highly-reflective objects
- Adjustable light or dark switching at control input
- Operating reserve display
- M12 device connector, 4-pin or 2 m connection line
- M12 metal housing with an IP 67 enclosure rating

**Your benefits**

- Economical solution for reliably detecting reflective objects up to 2.8 m (with PL80A reflector)
- Standard M12 miniature housing saves installation space on the machine
- Simple design and time-saving installation due to a standard M12 housing
- Polarizing filter prevents false readings on reflective surfaces, reducing downtime
- Fast and simple alignment to the reflector due to visible red light
- Fast response times ensure reliable detection of objects at high speeds, increasing machine throughput
- Tough metal housing provides a long service life, reducing maintenance time and costs



**Features**

Sensor/detection principle:	Photoelectric retro-reflective sensor
Housing design (light emission):	Cylindrical, straight
Housing length:	66 mm
Thread diameter (housing):	M12 x 1
Sensing range max.:	0.03 m ... 2.8 m <sup>1)</sup>
Sensing range:	0.03 m ... 2.3 m <sup>2)</sup>
Type of light:	Visible red light
Light source:	LED <sup>3)</sup>
Wave length:	660 nm
Light spot diameter (distance):	Ø 80 mm (2 m)
Angle of dispersion:	Ca. 2.3 °

<sup>1) 2)</sup> PL80A <sup>3)</sup> Average service life of 100,000 h at T<sub>A</sub> = +25 °C

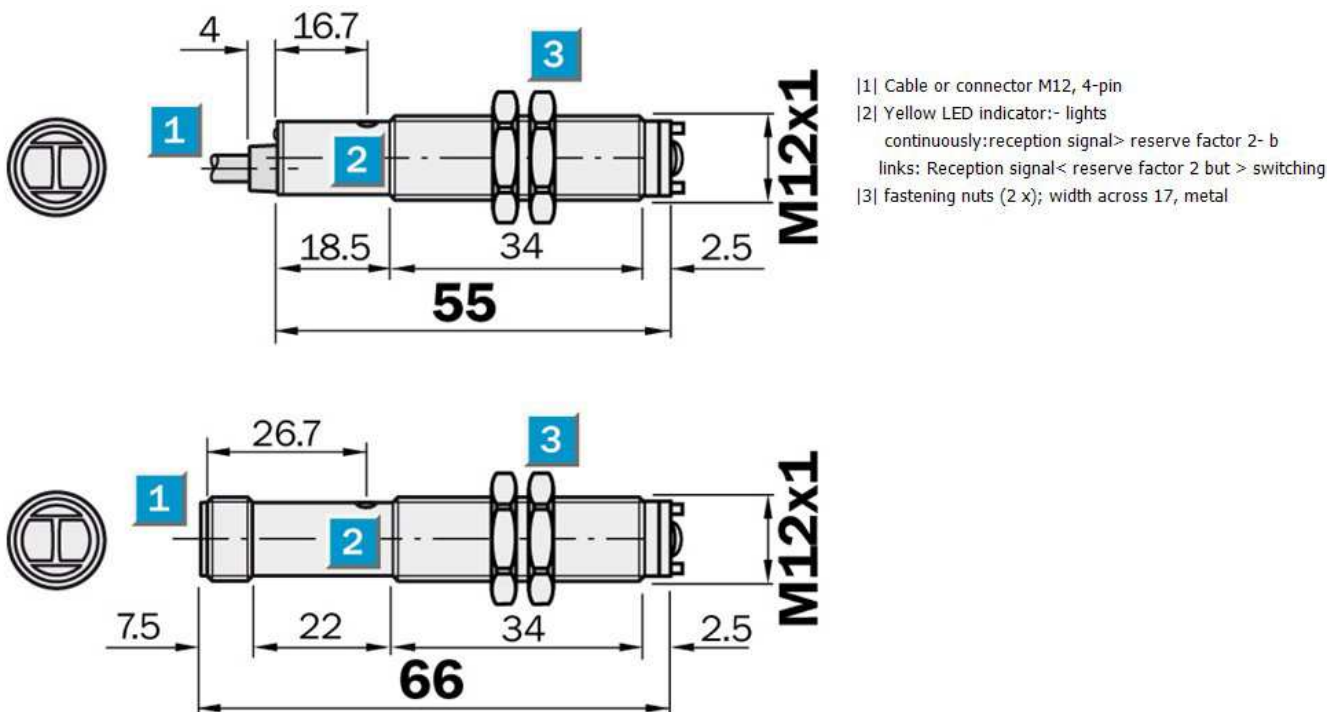
**Mechanics/electronics**

Supply voltage:	10 V DC ... 30 V <sup>1)</sup>
-----------------	--------------------------------

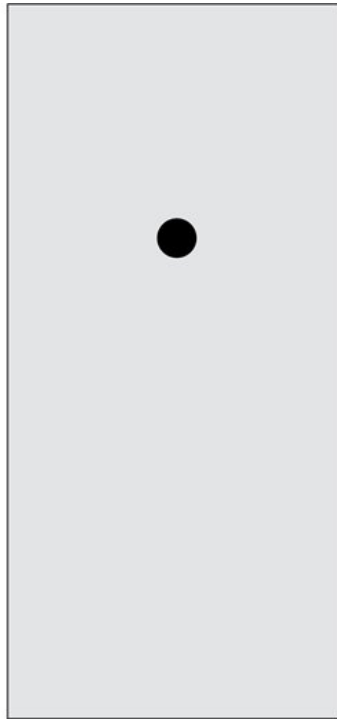
Residual ripple:	$\leq 10\%$ <sup>2)</sup>
Power consumption:	$\leq 20\text{ mA}$ <sup>3)</sup>
Output type:	NPN, Light/dark-switching, Selectable via L/D control wire
Output current I <sub>max</sub> .:	$\leq 100\text{ mA}$ <sup>4)</sup>
Response time:	$\leq 1.25\text{ ms}$ <sup>5)</sup>
Switching frequency:	400 Hz <sup>6)</sup>
Electrical connection:	Connector M12, 4-pin
Circuit protection:::	A, B, C, D <sup>7) 8) 9) 10)</sup>
Protection class:	III
Weight:	18 g
Polarisation filter:	✓
Housing material:	Nickel-plated brass/PA
Optics material:	PMMA
Enclosure rating:	IP 67
Ambient temperature operation:	-25 °C ... 70 °C
Ambient storage temperature:	-25 °C ... 70 °C

1) Limit values 2) May not exceed or fall short of  $V_S$  tolerances 3) 4) Without load 5) Signal transit time with resistive load 6) With light/dark ratio 1:1 7)  $A = V_S$   
connections reverse-polarity protected 8) B = inputs and output reverse-polarity protected 9) C = interference suppression 10) D = outputs overcurrent and short-circuit protected

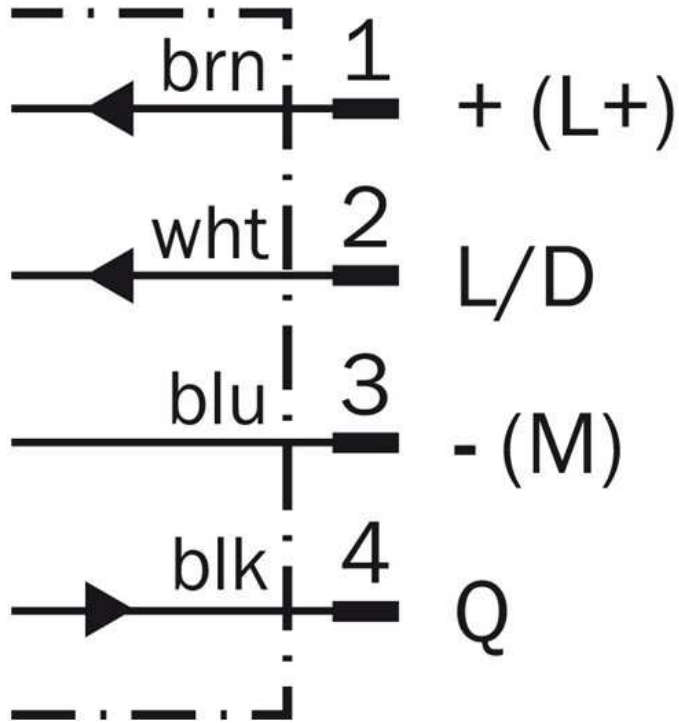
### Dimensional drawing



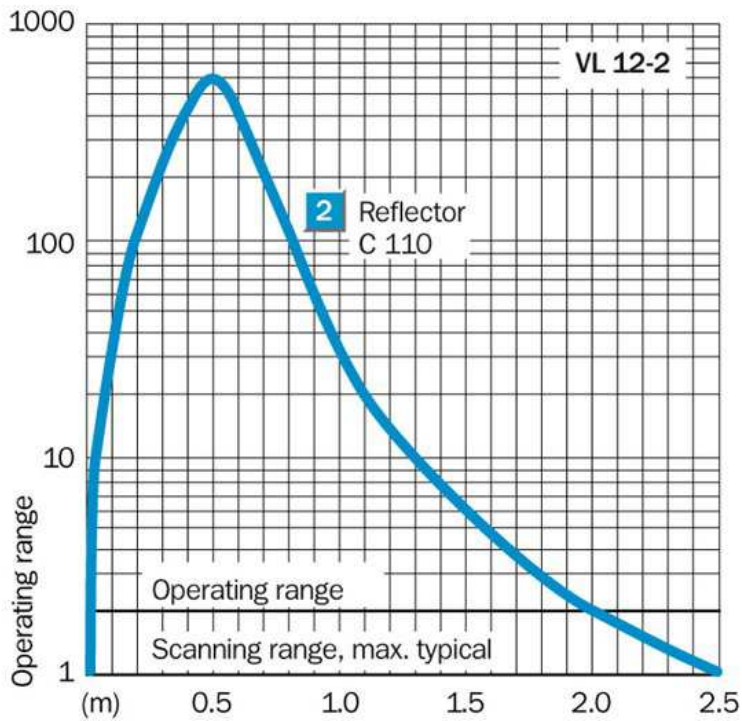
Adjustments possible



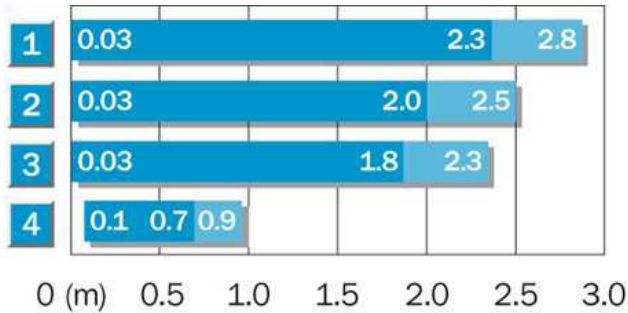
Connection diagram



## Characteristic curve



## Sensing range diagram



■ Operating range      ■ Scanning range, max. typical

	Reflector type	Operating range
1	PL 80 A	0.03 ... 2.3 m
2	C 110	0.03 ... 2.0 m
3	PL 50 A/PL 40 A/ P 250	0.03 ... 1.8 m
4	Reflective tape Diamond Grade	0.1 ... 0.7 m

Connection type

---



**Australia**

Phone +61 3 9457 0600  
1800 33 48 02 – tollfree  
E-Mail sales@sick.com.au

**Belgium/Luxembourg**

Phone +32 (0)2 466 55 66  
E-Mail info@sick.be

**Brasil**

Phone +55 11 3215-4900  
E-Mail marketing@sick.com.br

**Canada**

Phone +1 905 771 14 44  
E-Mail information@sick.com

**Česká republika**

Phone +420 2 57 91 18 50  
E-Mail sick@sick.cz

**China**

Phone +86 4000 121 000  
E-Mail info.china@sick.net.cn  
Phone +852-2153 6300  
E-Mail ghk@sick.com.hk

**Danmark**

Phone +45 45 82 64 00  
E-Mail sick@sick.dk

**Deutschland**

Phone +49 211 5301-301  
E-Mail info@sick.de

**España**

Phone +34 93 480 31 00  
E-Mail info@sick.es

**France**

Phone +33 1 64 62 35 00  
E-Mail info@sick.fr

**Great Britain**

Phone +44 (0)1727 831121  
E-Mail info@sick.co.uk

**India**

Phone +91-22-4033 8333  
E-Mail info@sick-india.com

**Israel**

Phone +972-4-6881000  
E-Mail info@sick-sensors.com

**Italia**

Phone +39 02 27 43 41  
E-Mail info@sick.it

**Japan**

Phone +81 (0)3 5309 2112  
E-Mail support@sick.jp

**Magyarország**

Phone +36 1 371 2680  
E-Mail office@sick.hu

**Nederland**

Phone +31 (0)30 229 25 44  
E-Mail info@sick.nl

**Norge**

Phone +47 67 81 50 00  
E-Mail sick@sick.no

**Österreich**

Phone +43 (0)22 36 62 28 8-0  
E-Mail office@sick.at

**Polska**

Phone +48 22 837 40 50  
E-Mail info@sick.pl

**România**

Phone +40 356 171 120  
E-Mail office@sick.ro

**Russia**

Phone +7-495-775-05-30  
E-Mail info@sick.ru

**Schweiz**

Phone +41 41 619 29 39  
E-Mail contact@sick.ch

**Singapore**

Phone +65 6744 3732  
E-Mail sales.gsg@sick.com

**Slovenija**

Phone +386 (0)1-47 69 990  
E-Mail office@sick.si

**South Africa**

Phone +27 11 472 3733  
E-Mail info@sickautomation.co.za

**South Korea**

Phone +82 2 786 6321/4  
E-Mail info@sickkorea.net

**Suomi**

Phone +358-9-25 15 800  
E-Mail sick@sick.fi

**Sverige**

Phone +46 10 110 10 00  
E-Mail info@sick.se

**Taiwan**

Phone +886 2 2375-6288  
E-Mail sales@sick.com.tw

**Türkiye**

Phone +90 (216) 528 50 00  
E-Mail info@sick.com.tr

**United Arab Emirates**

Phone +971 (0) 4 88 65 878  
E-Mail info@sick.ae

**USA/México**

Phone +1(952) 941-6780  
1 (800) 325-7425 – tollfree  
E-Mail info@sickusa.com

More representatives and agencies  
at [www.sick.com](http://www.sick.com)