



## Inductive safety switches IN4000 Standard Sensor

IN40-D0202K



**Model Name** > [IN40-D0202K](#)  
**Part No.** > [6027392](#)

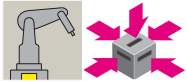


**At a glance**

- One pulsed output for direct connection of sensors to a single safety controller
- IP 67 or IP 69K enclosure rating
- Response range of up to 15 mm
- LED status indicator
- Up to performance level PL e / Cat. 4 (EN ISO 13849)
- Safe series connection of sensors possible

**Your benefits**

- Fast diagnostics via LED status indicator
- Cascadability of up to 9 sensors saves costs
- Long service life due to durable and low-maintenance design
- Just one safety switch in conjunction with a suitable safety module makes it possible to solve applications up to PL e and Cat. 4 (EN ISO 13849)
- The devices are easy to clean, making them suitable for contaminated areas or environments with strict hygiene standards



**Technical data**

Sensor principle:	Inductive
Safety integrity level:	SIL3 (IEC 61508)
Category:	category 4 (EN ISO 13849)
Performance level:	PL e
PFHd:	1.33 * 1E-09
TM (mission time)::	10 a (EN ISO 13849) <sup>1) 2)</sup> 20 a (EN ISO 13849)
Housing material:	V4A (housing), PEEK (Cover)
Enclosure rating:	IP 69K (IEC 60529)
Protection class:	III (EN 50178)
Ambient operating temperature:	0 °C ... +70 °C
Electrical connection:	Plug connector, M12, 4-pin
Flexi Loop-compatible plug connector:	-
Type of output:	Semiconductor, pulsed
Number of safe outputs:	1
Safe switch on distance Sao:	12 mm
Status display:	✓
Design:	Cylindrical

Dimensions: M30 x 80 mm

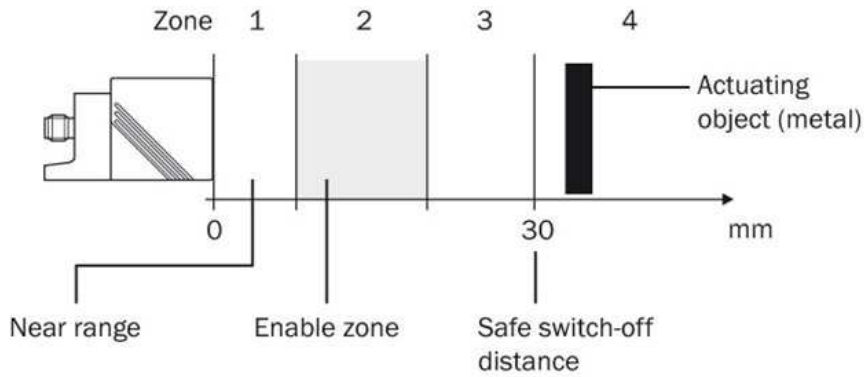
Installation type: Non-flush

Weight: 0.13 kg

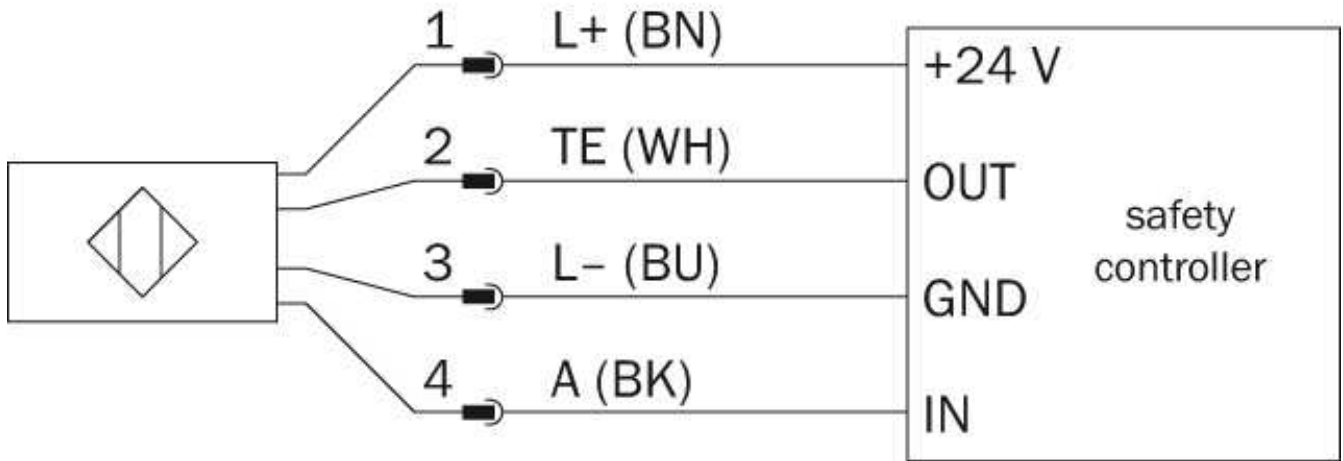
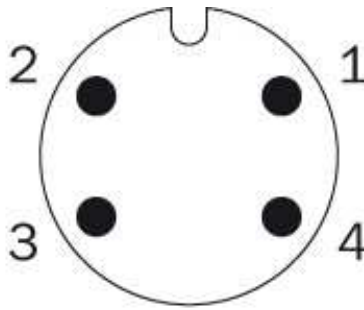
1) At 0 °C ... +70 °C and 5 % ... 95 % relative air humidity 2) At +10 °C ... +40 °C and 5 % ... 70 % relative air humidity

### Response range

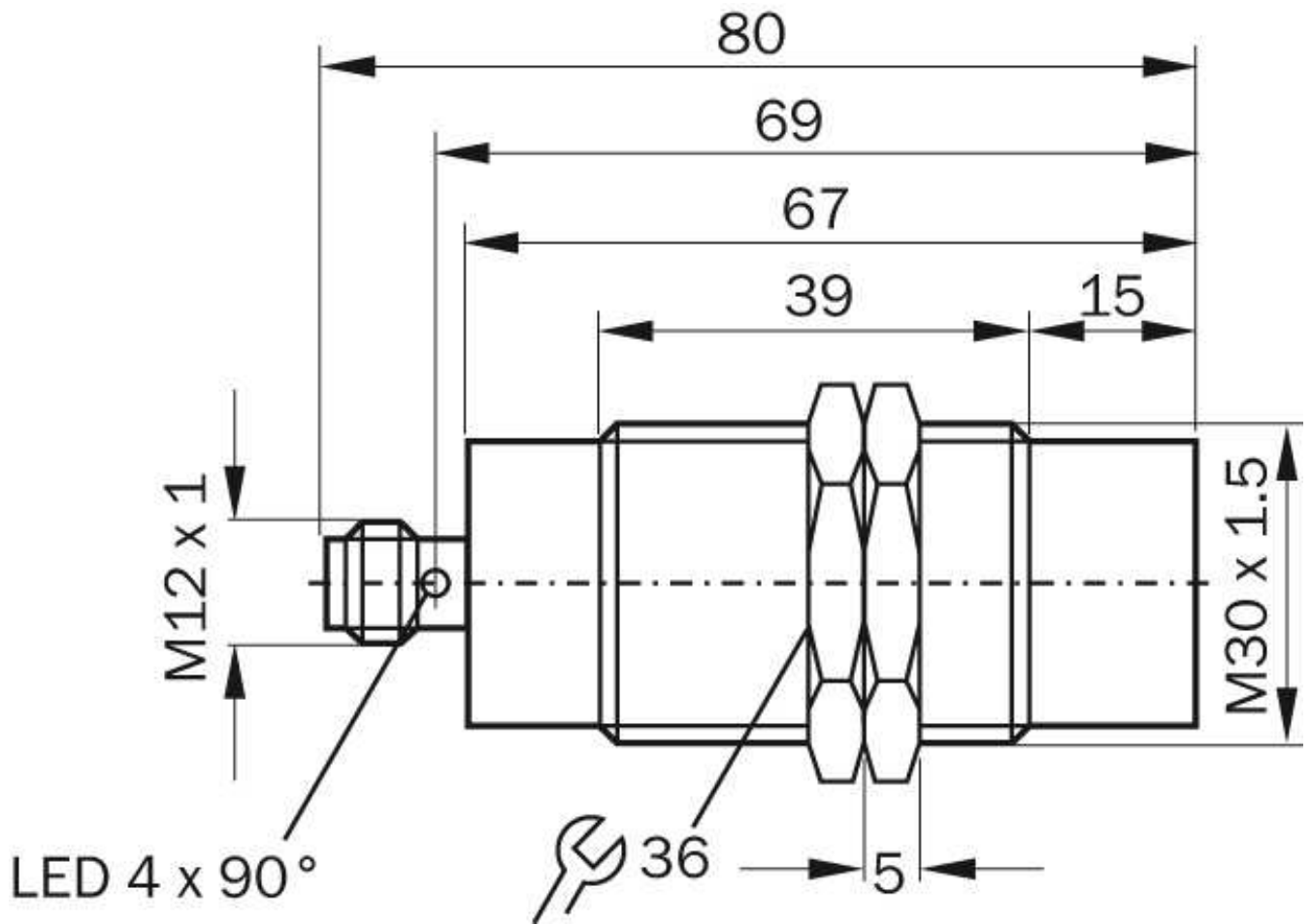
---



Connection diagram



Dimensional drawing



**Australia**

Phone +61 3 9457 0600  
1800 33 48 02 – tollfree  
E-Mail sales@sick.com.au

**Belgium/Luxembourg**

Phone +32 (0)2 466 55 66  
E-Mail info@sick.be

**Brasil**

Phone +55 11 3215-4900  
E-Mail marketing@sick.com.br

**Canada**

Phone +1 905 771 14 44  
E-Mail information@sick.com

**Česká republika**

Phone +420 2 57 91 18 50  
E-Mail sick@sick.cz

**China**

Phone +86 4000 121 000  
E-Mail info.china@sick.net.cn  
Phone +852-2153 6300  
E-Mail ghk@sick.com.hk

**Danmark**

Phone +45 45 82 64 00  
E-Mail sick@sick.dk

**Deutschland**

Phone +49 211 5301-301  
E-Mail info@sick.de

**España**

Phone +34 93 480 31 00  
E-Mail info@sick.es

**France**

Phone +33 1 64 62 35 00  
E-Mail info@sick.fr

**Great Britain**

Phone +44 (0)1727 831121  
E-Mail info@sick.co.uk

**India**

Phone +91-22-4033 8333  
E-Mail info@sick-india.com

**Israel**

Phone +972-4-6881000  
E-Mail info@sick-sensors.com

**Italia**

Phone +39 02 27 43 41  
E-Mail info@sick.it

**Japan**

Phone +81 (0)3 5309 2112  
E-Mail support@sick.jp

**Magyarország**

Phone +36 1 371 2680  
E-Mail office@sick.hu

**Nederland**

Phone +31 (0)30 229 25 44  
E-Mail info@sick.nl

**Norge**

Phone +47 67 81 50 00  
E-Mail sick@sick.no

**Österreich**

Phone +43 (0)22 36 62 28 8-0  
E-Mail office@sick.at

**Polska**

Phone +48 22 837 40 50  
E-Mail info@sick.pl

**România**

Phone +40 356 171 120  
E-Mail office@sick.ro

**Russia**

Phone +7-495-775-05-30  
E-Mail info@sick.ru

**Schweiz**

Phone +41 41 619 29 39  
E-Mail contact@sick.ch

**Singapore**

Phone +65 6744 3732  
E-Mail sales.gsg@sick.com

**Slovenija**

Phone +386 (0)1-47 69 990  
E-Mail office@sick.si

**South Africa**

Phone +27 11 472 3733  
E-Mail info@sickautomation.co.za

**South Korea**

Phone +82 2 786 6321/4  
E-Mail info@sickkorea.net

**Suomi**

Phone +358-9-25 15 800  
E-Mail sick@sick.fi

**Sverige**

Phone +46 10 110 10 00  
E-Mail info@sick.se

**Taiwan**

Phone +886 2 2375-6288  
E-Mail sales@sick.com.tw

**Türkiye**

Phone +90 (216) 528 50 00  
E-Mail info@sick.com.tr

**United Arab Emirates**

Phone +971 (0) 4 88 65 878  
E-Mail info@sick.ae

**USA/México**

Phone +1(952) 941-6780  
1 (800) 325-7425 – tollfree  
E-Mail info@sickusa.com

More representatives and agencies  
at [www.sick.com](http://www.sick.com)