



further accessories
Wire draw mechanism

MRA-F130-120D1



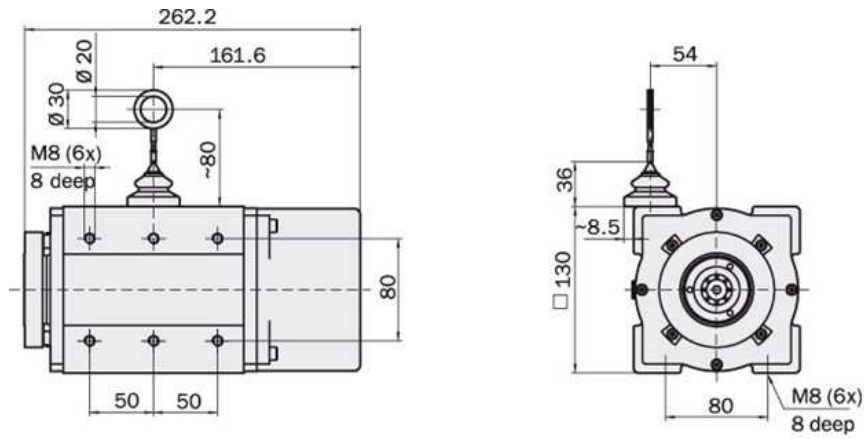
Model Name > [MRA-F130-120D1](#)
Part No. > [6028628](#)



Technical data

Accessory group:	Wire draw mechanism
Description:	Seilzugmechanik für Servoflansch mit 6 mm Welle, Messseildurchmesser: 0,81 mm, Lebensdauer: 1 Mio. Zyklen
Enclosure rating:	IP 50
Weight:	5 kg
Items supplied:	Ohne Encoder
Measuring range:	20 m
Spring return force:	≤ 10 N ... 20 N
Operating speed:	4 m/s
Drum housing:	Aluminum (anodised)
Drum diameter:	105 mm
Drum precision:	0.05 %
Material, spring housing:	Plastic
Number of revolutions before full pullout:	Ca. 62
Resolution:	To calculate the correct number of steps/number of encoder pulses for the required linear resolution, please click "linear resolution"
Ambient operating temperature:	-20 °C ... +70 °C

Dimensional drawing



Linear resolution

Absolute encoders: determining the matching number of steps of the encoder for the required linear resolution

$$\text{No. of encoder steps per revolution} = \frac{3.1416 \times (\text{drum diameter} + \text{wire diameter})}{\text{Linear resolution per measuring step}}$$

Example: required linear resolution 0.05 mm; wire draw mechanism 30 m

$$\text{No. of encoder steps per revolution} = \frac{3.1416 \times (205 \text{ mm} + 0.81 \text{ mm})}{0.05 \text{ mm}} = 6648$$

Incremental encoders: determining the matching number of pulses of the encoder for the required linear resolution

$$\text{No. of encoder pulses per revolution} = \frac{3.1416 \times (\text{drum diameter} + \text{wire diameter})}{4 \times \text{Linear resolution per measuring step}}$$

Example: required linear resolution 0.025 mm; wire draw mechanism 20 m

$$\text{No. of encoder pulses per revolution} = \frac{3.1416 \times (205 \text{ mm} + 0.81 \text{ mm})}{4 \times 0.025 \text{ mm}} = 1662$$

Based on the counter/courser evaluating the flanks of the A-B pulses.

Australia

Phone +61 3 9457 0600
1800 33 48 02 – tollfree
E-Mail sales@sick.com.au

Belgium/Luxembourg

Phone +32 (0)2 466 55 66
E-Mail info@sick.be

Brasil

Phone +55 11 3215-4900
E-Mail marketing@sick.com.br

Canada

Phone +1 905 771 14 44
E-Mail information@sick.com

Česká republika

Phone +420 2 57 91 18 50
E-Mail sick@sick.cz

China

Phone +86 4000 121 000
E-Mail info.china@sick.net.cn
Phone +852-2153 6300
E-Mail ghk@sick.com.hk

Danmark

Phone +45 45 82 64 00
E-Mail sick@sick.dk

Deutschland

Phone +49 211 5301-301
E-Mail info@sick.de

España

Phone +34 93 480 31 00
E-Mail info@sick.es

France

Phone +33 1 64 62 35 00
E-Mail info@sick.fr

Great Britain

Phone +44 (0)1727 831121
E-Mail info@sick.co.uk

India

Phone +91-22-4033 8333
E-Mail info@sick-india.com

Israel

Phone +972-4-6881000
E-Mail info@sick-sensors.com

Italia

Phone +39 02 27 43 41
E-Mail info@sick.it

Japan

Phone +81 (0)3 5309 2112
E-Mail support@sick.jp

Magyarország

Phone +36 1 371 2680
E-Mail office@sick.hu

Nederland

Phone +31 (0)30 229 25 44
E-Mail info@sick.nl

Norge

Phone +47 67 81 50 00
E-Mail sick@sick.no

Österreich

Phone +43 (0)22 36 62 28 8-0
E-Mail office@sick.at

Polska

Phone +48 22 837 40 50
E-Mail info@sick.pl

România

Phone +40 356 171 120
E-Mail office@sick.ro

Russia

Phone +7-495-775-05-30
E-Mail info@sick.ru

Schweiz

Phone +41 41 619 29 39
E-Mail contact@sick.ch

Singapore

Phone +65 6744 3732
E-Mail sales.gsg@sick.com

Slovenija

Phone +386 (0)1-47 69 990
E-Mail office@sick.si

South Africa

Phone +27 11 472 3733
E-Mail info@sickautomation.co.za

South Korea

Phone +82 2 786 6321/4
E-Mail info@sickkorea.net

Suomi

Phone +358-9-25 15 800
E-Mail sick@sick.fi

Sverige

Phone +46 10 110 10 00
E-Mail info@sick.se

Taiwan

Phone +886 2 2375-6288
E-Mail sales@sick.com.tw

Türkiye

Phone +90 (216) 528 50 00
E-Mail info@sick.com.tr

United Arab Emirates

Phone +971 (0) 4 88 65 878
E-Mail info@sick.ae

USA/México

Phone +1(952) 941-6780
1 (800) 325-7425 – tollfree
E-Mail info@sickusa.com

More representatives and agencies
at www.sick.com