



Optical data transmission ISD300

ISD300-6211



Model Name > [ISD300-6211](#)
Part No. > [6028692](#)



At a glance

- Ethernet interface
- Push button displays opposing device's reception level for simple one man alignment
- Up to 2 Mbit/s transfer rate
- Protocol-independent
- RJ 45 plug connection
- Integrated 3-point mounting bracket

Your benefits

- Non-contact system eliminates wear and tear thus guaranteeing high machine uptime and significantly reduced maintenance costs
- Electronic alignment methods significantly reduce installation times thus saving costs
- Very long scanning range ensures high gain reserve even in challenging environmental conditions
- Reduced installation costs by eliminating cables
- Excellent ambient light immunity and EMC compatibility ensure accurate and reliable data transmission
- Increased system speed with fast data transmission
- Fast and easy assembly with integrated 3-point mounting bracket reduces installation time and costs
- Fast and easy integration into Ethernet network without additional converter cards



Performance

Light source:	LED, infrared (880 nm)
Heating:	-
Typ. light spot size (distance):	1.75 m (at 100 m)
Transmission range:	0.2 m ... 200 m
Field of view:	Ca. ± 0.5 °

Interfaces

Data transmission rate:	2 Mbit/s
Output type:	0 V ... 2 V: interference-free operation VS -2 V: reduced system reserve
Switching input:	0 V ... 2 V: sender deactivated
Data interface ¹⁾ :	Ethernet

1) RS-485 on request

Mechanics/electronics

Supply voltage Vs:	DC 18 V ... 30 V
Power consumption:	≤ 0.2 A
Weight:	Ca. 1.2 kg
Housing material:	Metal
Electrical connection:	Terminals
Frequency:	F1 ¹⁾

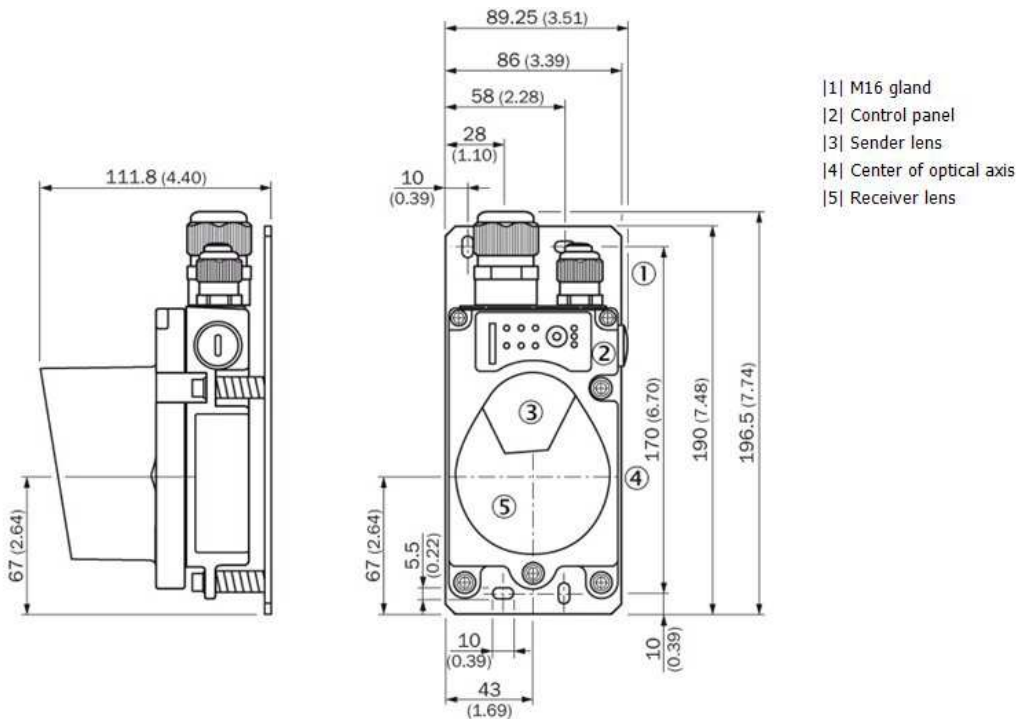
1) A pair of devices with numbers ending in 1 and 2 are required to create a data transfer section.

Ambient data

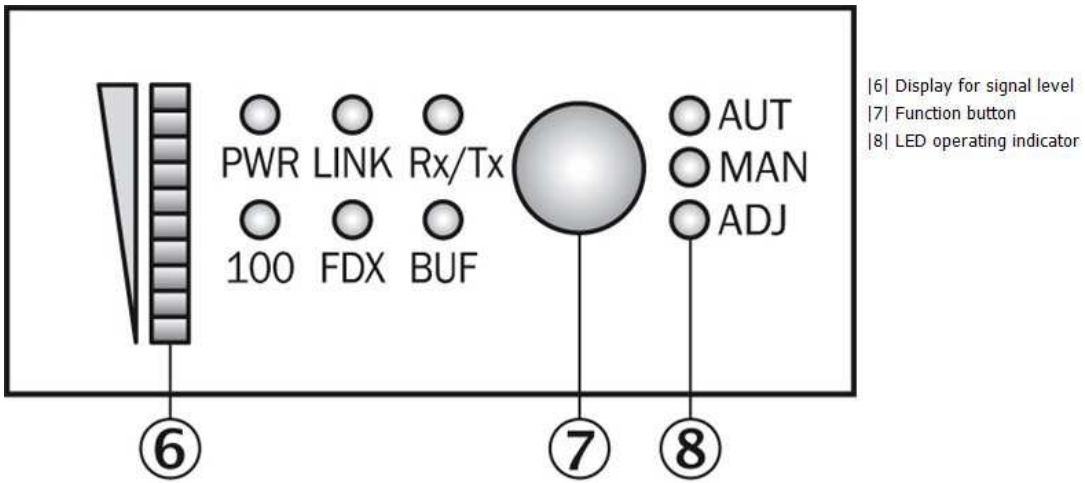
Enclosure rating:	IP 65
Protection class:	I
Electromagnetic compatibility (EMC):	EN 61000-6-2/EN 61000-6-4 ¹⁾
Ambient temperature:	Storage: -30 ... +70 °C
Ambient temperature operation:	-5 °C ... +50 °C
Max. rel. humidity (not condensing):	90 %, non-condensing

1) This is a Class A device. This device can cause radio interference in living quarters.

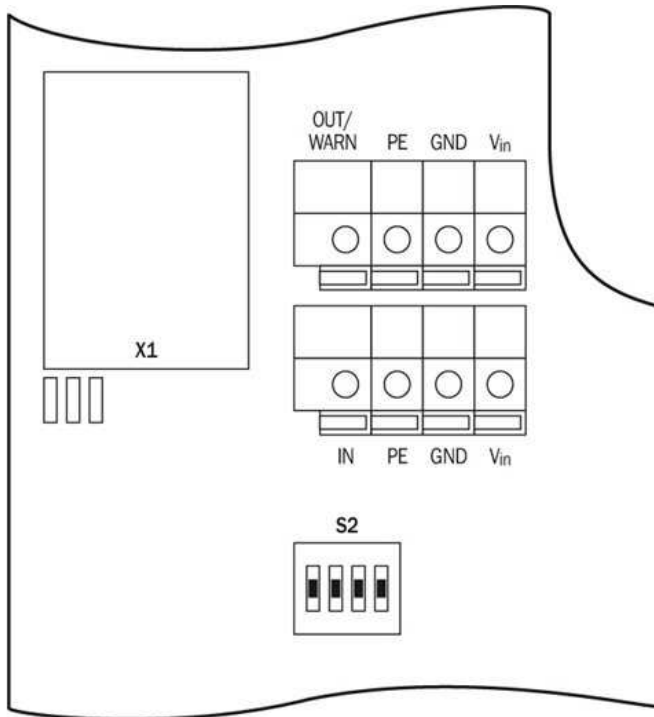
Dimensional drawing



Adjustments



Connection type



Connection diagram

Terminals, general

V_{in}	L+
GND	M
PE	Shield
OUT/WARN	Q
IN	Switch. input

Socket Function

X1	RJ-45 socket for 10Base-T or 100Base-TX	
Switch	Position	Function
S2.1	ON	Autospace negotiation active (default)
	OFF	Autospace negotiation deactivated
S2.2	ON	100 Mbit
	OFF	10 Mbit (default)
S2.3	ON	Full duplex
	OFF	Half duplex (default)
S2.4	ON	Reserved
	OFF	Reserved (default)

Australia

Phone +61 3 9457 0600
1800 33 48 02 – tollfree
E-Mail sales@sick.com.au

Belgium/Luxembourg

Phone +32 (0)2 466 55 66
E-Mail info@sick.be

Brasil

Phone +55 11 3215-4900
E-Mail marketing@sick.com.br

Canada

Phone +1 905 771 14 44
E-Mail information@sick.com

Česká republika

Phone +420 2 57 91 18 50
E-Mail sick@sick.cz

China

Phone +86 4000 121 000
E-Mail info.china@sick.net.cn
Phone +852-2153 6300
E-Mail ghk@sick.com.hk

Danmark

Phone +45 45 82 64 00
E-Mail sick@sick.dk

Deutschland

Phone +49 211 5301-301
E-Mail info@sick.de

España

Phone +34 93 480 31 00
E-Mail info@sick.es

France

Phone +33 1 64 62 35 00
E-Mail info@sick.fr

Great Britain

Phone +44 (0)1727 831121
E-Mail info@sick.co.uk

India

Phone +91-22-4033 8333
E-Mail info@sick-india.com

Israel

Phone +972-4-6881000
E-Mail info@sick-sensors.com

Italia

Phone +39 02 27 43 41
E-Mail info@sick.it

Japan

Phone +81 (0)3 5309 2112
E-Mail support@sick.jp

Magyarország

Phone +36 1 371 2680
E-Mail office@sick.hu

Nederland

Phone +31 (0)30 229 25 44
E-Mail info@sick.nl

Norge

Phone +47 67 81 50 00
E-Mail sick@sick.no

Österreich

Phone +43 (0)22 36 62 28 8-0
E-Mail office@sick.at

Polska

Phone +48 22 837 40 50
E-Mail info@sick.pl

România

Phone +40 356 171 120
E-Mail office@sick.ro

Russia

Phone +7-495-775-05-30
E-Mail info@sick.ru

Schweiz

Phone +41 41 619 29 39
E-Mail contact@sick.ch

Singapore

Phone +65 6744 3732
E-Mail sales.gsg@sick.com

Slovenija

Phone +386 (0)1-47 69 990
E-Mail office@sick.si

South Africa

Phone +27 11 472 3733
E-Mail info@sickautomation.co.za

South Korea

Phone +82 2 786 6321/4
E-Mail info@sickkorea.net

Suomi

Phone +358-9-25 15 800
E-Mail sick@sick.fi

Sverige

Phone +46 10 110 10 00
E-Mail info@sick.se

Taiwan

Phone +886 2 2375-6288
E-Mail sales@sick.com.tw

Türkiye

Phone +90 (216) 528 50 00
E-Mail info@sick.com.tr

United Arab Emirates

Phone +971 (0) 4 88 65 878
E-Mail info@sick.ae

USA/México

Phone +1(952) 941-6780
1 (800) 325-7425 – tollfree
E-Mail info@sickusa.com

More representatives and agencies
at www.sick.com