



## Ultrasonic sensors UC12

UC12-11235



**Model Name** > UC12-11235  
**Part No.** > 6029833

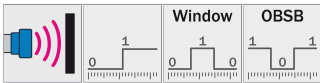


**At a glance**

- Object detection independent of material color and ambient light - even transparent foils, glass, liquids and bottles are reliably detected
- Fast and easy teach-in with single push-button
- Immune to dirt, dust and fog
- Two ambivalent switching outputs (Q, /Q)
- Excellent background suppression
- Three operation modes: Distance to Object (DtO), Window (Wnd) or Object between sensor and background (ObSB)

**Your benefits**

- Fast commissioning due to single-button teach-in
- Full mechanical compatibility to photoelectric sensors increase application flexibility without machine modification
- Standard proximity, window and reflection modes provide application flexibility, which increases reliability and productivity
- Integrated temperature compensation ensures high measurement accuracy
- Complementary switching outputs immediately signal broken wiring, reducing faulty production results



**Performance**

Resolution:	≥ 0.1 mm
Working range, limiting range:	20 mm ... 150 mm, 250 mm
Repeatability <sup>1)</sup> :	± 0.15 %
Accuracy <sup>2)</sup> :	± 1 %
Response time:	30 ms
Switching frequency:	25 Hz
Ultrasonic frequency (typical):	380 kHz
Detection area (typical):	See diagrams
Temperature compensation:	✓
Additional function:	Set switching mode: Distance to object (DtO)/switching window (Wnd)/ Object Between Sensor and Background (ObSB) Teach-in of switching output Temperature compensation Reset to factory default Lock user interface
Output time:	8 ms

1) 2) Referring to current measurement value

## Interfaces

---

Output type <sup>1)</sup>, <sup>2)</sup>, <sup>3)</sup>: 2 x NPN (500 mA)  
Hysteresis: 2 mm  
<sup>1)</sup> Output Q short-circuit protected <sup>2)</sup> Complementary switching outputs (Q, /Q) <sup>3)</sup> NPN: HIGH  $\leq 2\text{ V}$  / LOW =  $V_S$

## Mechanics/electronics

---

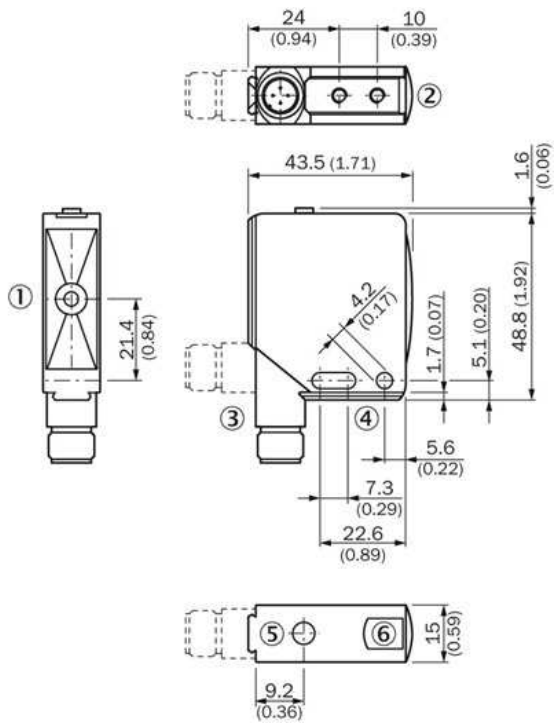
Sending axis: Straight  
Supply voltage  $V_S$  <sup>1)</sup>: DC 10 V ... 30 V  
Power consumption <sup>2)</sup>:  $\leq 1.2\text{ W}$   
Initialization time:  $< 300\text{ ms}$   
Design: Rectangular  
Housing material: Die-cast zinc  
ultrasonic transducer: polyurethane foam, glass epoxy resin  
Electrical connection: Male connector, M12, 4-pin  
Indication: Dual LED  
Weight: 75 g  
<sup>1)</sup> Limit values, reverse-polarity protected, operation in short-circuit protected network: max. 8 A <sup>2)</sup> Without load

## Ambient data

---

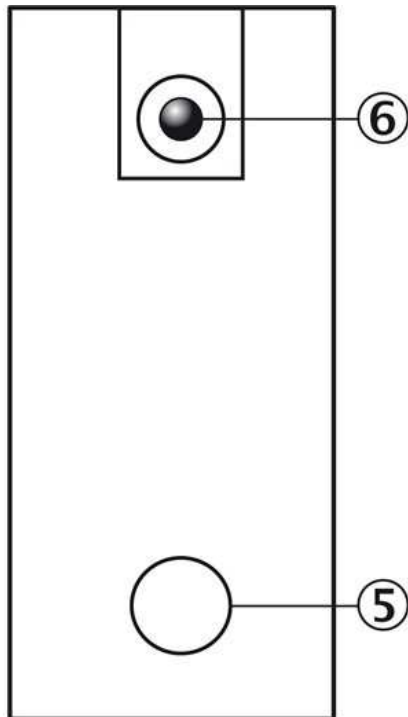
Enclosure rating: IP 67  
Protection class: III  
Ambient temperature: Operation:  $-25 \dots +70\text{ }^\circ\text{C}$   
Storage:  $-40 \dots +85\text{ }^\circ\text{C}$

## Dimensional drawing



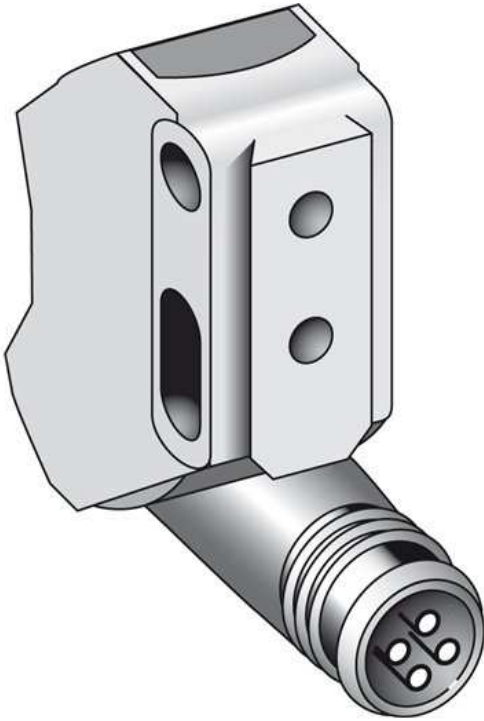
- |1| Transmission and reception axis
- |2| M4 threaded mounting hole, 4 mm deep
- |3| Connection
- |4| Mounting hole
- |5| Control elements
- |6| Status indicator switching  
output (orange) and power on (green)

## Adjustments

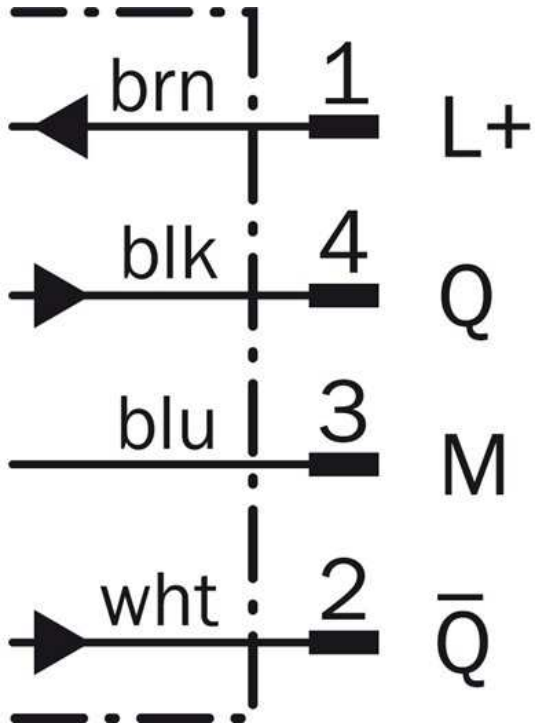


- |5| Control elements
- |6| Status indicator switching  
output (orange) and power on (green)

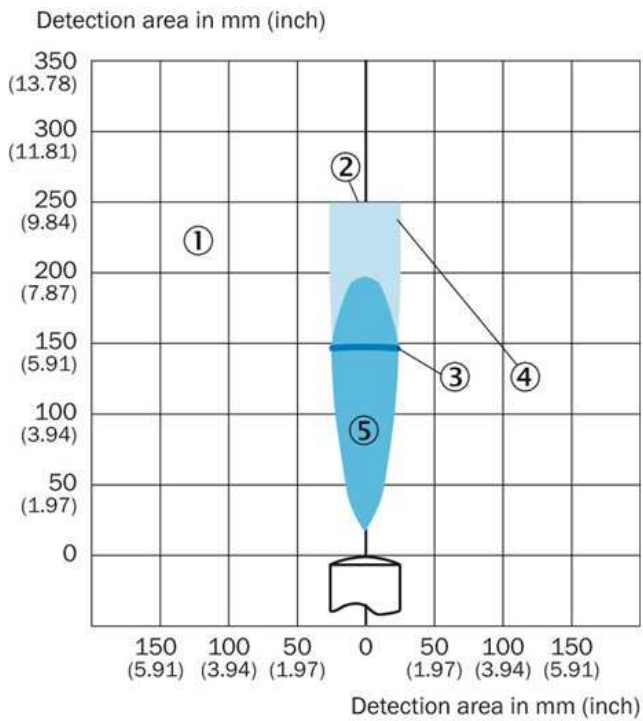
Connection type



Connection diagram



## Detection area



- |1| Sensing range dependent on reflection properties, size and orientation of the object
- |2| Limiting range
- |3| Working range
- |4| example object: aligned plate 10 mm x 10 mm
- |5| example object: pipe with 10 mm diameter

**Australia**

Phone +61 3 9457 0600  
1800 33 48 02 – tollfree  
E-Mail sales@sick.com.au

**Belgium/Luxembourg**

Phone +32 (0)2 466 55 66  
E-Mail info@sick.be

**Brasil**

Phone +55 11 3215-4900  
E-Mail marketing@sick.com.br

**Canada**

Phone +1 905 771 14 44  
E-Mail information@sick.com

**Česká republika**

Phone +420 2 57 91 18 50  
E-Mail sick@sick.cz

**China**

Phone +86 4000 121 000  
E-Mail info.china@sick.net.cn  
Phone +852-2153 6300  
E-Mail ghk@sick.com.hk

**Danmark**

Phone +45 45 82 64 00  
E-Mail sick@sick.dk

**Deutschland**

Phone +49 211 5301-301  
E-Mail info@sick.de

**España**

Phone +34 93 480 31 00  
E-Mail info@sick.es

**France**

Phone +33 1 64 62 35 00  
E-Mail info@sick.fr

**Great Britain**

Phone +44 (0)1727 831121  
E-Mail info@sick.co.uk

**India**

Phone +91-22-4033 8333  
E-Mail info@sick-india.com

**Israel**

Phone +972-4-6881000  
E-Mail info@sick-sensors.com

**Italia**

Phone +39 02 27 43 41  
E-Mail info@sick.it

**Japan**

Phone +81 (0)3 5309 2112  
E-Mail support@sick.jp

**Magyarország**

Phone +36 1 371 2680  
E-Mail office@sick.hu

**Nederland**

Phone +31 (0)30 229 25 44  
E-Mail info@sick.nl

**Norge**

Phone +47 67 81 50 00  
E-Mail sick@sick.no

**Österreich**

Phone +43 (0)22 36 62 28 8-0  
E-Mail office@sick.at

**Polska**

Phone +48 22 837 40 50  
E-Mail info@sick.pl

**România**

Phone +40 356 171 120  
E-Mail office@sick.ro

**Russia**

Phone +7-495-775-05-30  
E-Mail info@sick.ru

**Schweiz**

Phone +41 41 619 29 39  
E-Mail contact@sick.ch

**Singapore**

Phone +65 6744 3732  
E-Mail sales.gsg@sick.com

**Slovenija**

Phone +386 (0)1-47 69 990  
E-Mail office@sick.si

**South Africa**

Phone +27 11 472 3733  
E-Mail info@sickautomation.co.za

**South Korea**

Phone +82 2 786 6321/4  
E-Mail info@sickkorea.net

**Suomi**

Phone +358-9-25 15 800  
E-Mail sick@sick.fi

**Sverige**

Phone +46 10 110 10 00  
E-Mail info@sick.se

**Taiwan**

Phone +886 2 2375-6288  
E-Mail sales@sick.com.tw

**Türkiye**

Phone +90 (216) 528 50 00  
E-Mail info@sick.com.tr

**United Arab Emirates**

Phone +971 (0) 4 88 65 878  
E-Mail info@sick.ae

**USA/México**

Phone +1(952) 941-6780  
1 (800) 325-7425 – tollfree  
E-Mail info@sickusa.com

More representatives and agencies  
at [www.sick.com](http://www.sick.com)