



Photoelectric sensors  
W130 Laser, Through-beam photoelectric sensor

WSE130L-52



**Model Name** > [WSE130L-52](#)  
**Part No.** > [6029865](#)



*Illustration may differ*

**At a glance**

- Parallel 30 mm wide laser line
- Sensing range up to 2 m
- Laser class 1 laser light
- Configuration via evaluation unit, e.g., for web edge guidance and detection of objects with position tolerance

**Your benefits**

- Versatile configuration options for individual application solutions
- Precise web edge guidance and detection of objects with high tolerance accuracy
- Laser light is laser class 1, which provides a high level of eye protection that eliminates the potential for eye injury



**Features**

Sensor/detection principle:	Through-beam photoelectric sensor
Dimensions (W x H x D):	13.4 mm x 47 mm x 52.9 mm
Housing design (light emission):	Rectangular
Sensing range max.:	0 m ... 3.5 m
Type of light:	Visible red light
Light source:	Laser <sup>1)</sup>
Laser class:	1 (EN 60 825-1)
XXX:	30 mm x 2.5 mm (parallel)

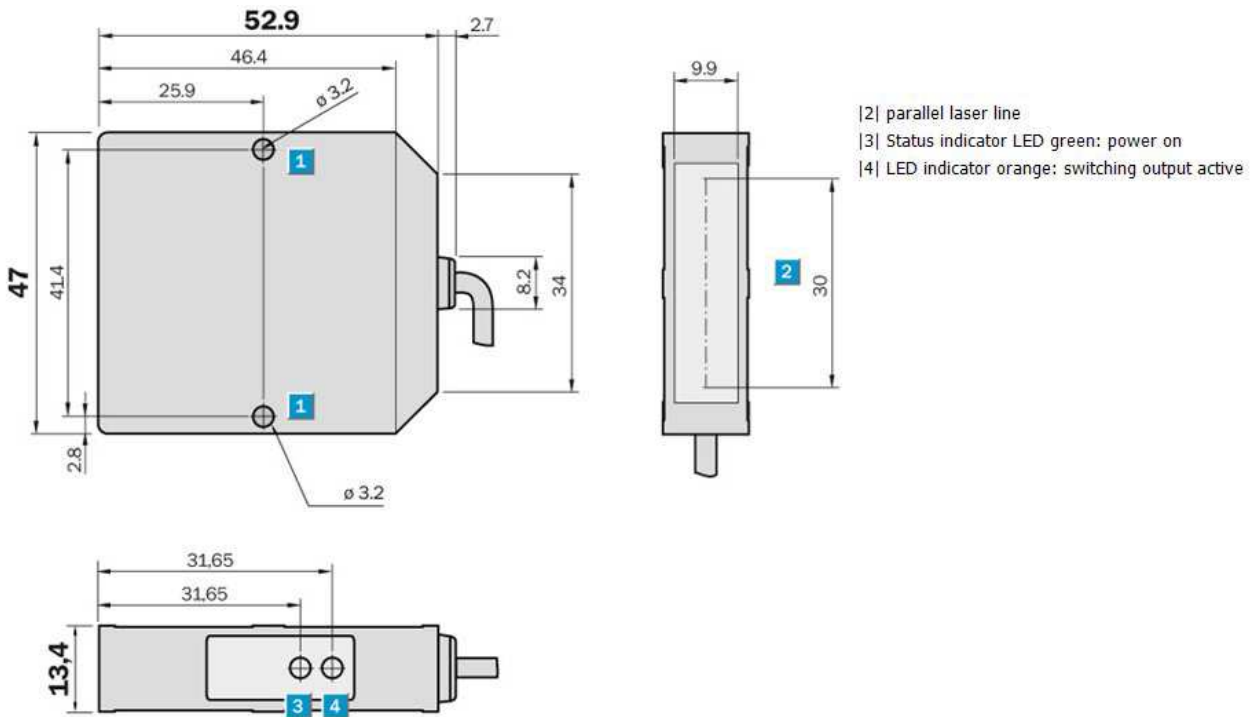
<sup>1)</sup> Average service life 50,000 h at T<sub>A</sub> = +25 °C

**Mechanics/electronics**

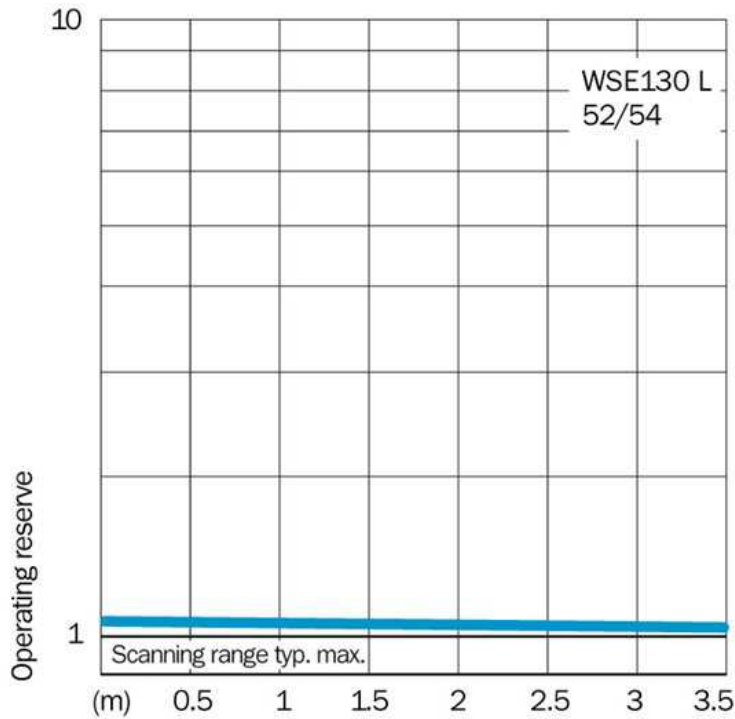
Electrical connection::	Cable with connector, 2 m <sup>1) 2)</sup>
Cable material:	PVC/PBT
Protection class:	III
Housing material:	Plastic, PC
Optics material:	PMMA
Enclosure rating:	IP 67
Ambient temperature operation:	-10 °C ... 55 °C
Ambient storage temperature:	-25 °C ... 70 °C

<sup>1)</sup> Connection between sensor head and evaluation unit with system-specific connector <sup>2)</sup> Do not bend below 0 °C

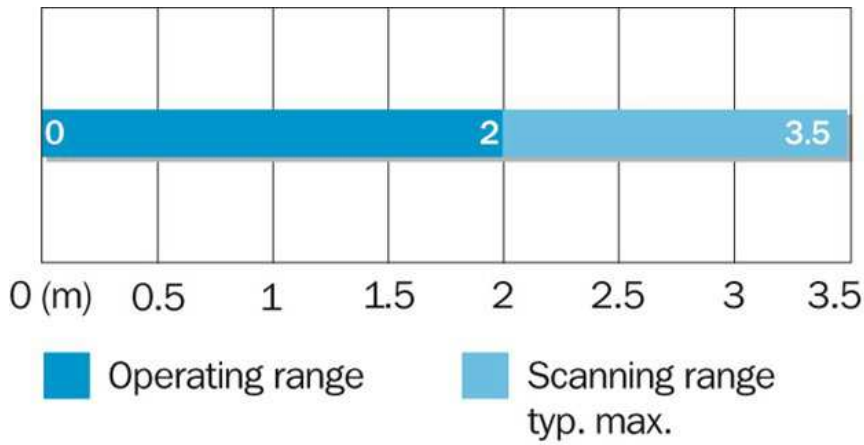
**Dimensional drawing**



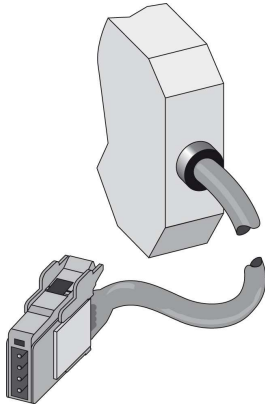
**Characteristic curve**



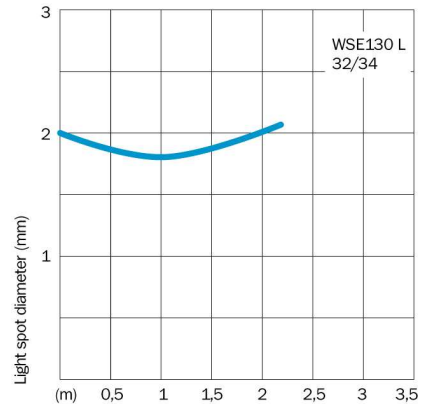
### Sensing range diagram



### Connection type



### Light spot size



**Australia**

Phone +61 3 9457 0600  
1800 33 48 02 – tollfree  
E-Mail sales@sick.com.au

**Belgium/Luxembourg**

Phone +32 (0)2 466 55 66  
E-Mail info@sick.be

**Brasil**

Phone +55 11 3215-4900  
E-Mail marketing@sick.com.br

**Canada**

Phone +1 905 771 14 44  
E-Mail information@sick.com

**Česká republika**

Phone +420 2 57 91 18 50  
E-Mail sick@sick.cz

**China**

Phone +86 4000 121 000  
E-Mail info.china@sick.net.cn  
Phone +852-2153 6300  
E-Mail ghk@sick.com.hk

**Danmark**

Phone +45 45 82 64 00  
E-Mail sick@sick.dk

**Deutschland**

Phone +49 211 5301-301  
E-Mail info@sick.de

**España**

Phone +34 93 480 31 00  
E-Mail info@sick.es

**France**

Phone +33 1 64 62 35 00  
E-Mail info@sick.fr

**Great Britain**

Phone +44 (0)1727 831121  
E-Mail info@sick.co.uk

**India**

Phone +91-22-4033 8333  
E-Mail info@sick-india.com

**Israel**

Phone +972-4-6881000  
E-Mail info@sick-sensors.com

**Italia**

Phone +39 02 27 43 41  
E-Mail info@sick.it

**Japan**

Phone +81 (0)3 5309 2112  
E-Mail support@sick.jp

**Magyarország**

Phone +36 1 371 2680  
E-Mail office@sick.hu

**Nederland**

Phone +31 (0)30 229 25 44  
E-Mail info@sick.nl

**Norge**

Phone +47 67 81 50 00  
E-Mail sick@sick.no

**Österreich**

Phone +43 (0)22 36 62 28 8-0  
E-Mail office@sick.at

**Polska**

Phone +48 22 837 40 50  
E-Mail info@sick.pl

**România**

Phone +40 356 171 120  
E-Mail office@sick.ro

**Russia**

Phone +7-495-775-05-30  
E-Mail info@sick.ru

**Schweiz**

Phone +41 41 619 29 39  
E-Mail contact@sick.ch

**Singapore**

Phone +65 6744 3732  
E-Mail sales.gsg@sick.com

**Slovenija**

Phone +386 (0)1-47 69 990  
E-Mail office@sick.si

**South Africa**

Phone +27 11 472 3733  
E-Mail info@sickautomation.co.za

**South Korea**

Phone +82 2 786 6321/4  
E-Mail info@sickkorea.net

**Suomi**

Phone +358-9-25 15 800  
E-Mail sick@sick.fi

**Sverige**

Phone +46 10 110 10 00  
E-Mail info@sick.se

**Taiwan**

Phone +886 2 2375-6288  
E-Mail sales@sick.com.tw

**Türkiye**

Phone +90 (216) 528 50 00  
E-Mail info@sick.com.tr

**United Arab Emirates**

Phone +971 (0) 4 88 65 878  
E-Mail info@sick.ae

**USA/México**

Phone +1(952) 941-6780  
1 (800) 325-7425 – tollfree  
E-Mail info@sickusa.com

More representatives and agencies  
at [www.sick.com](http://www.sick.com)