



Photoelectric sensors
W130 Laser, Through-beam photoelectric sensor

WSE130L-54



Model Name > [WSE130L-54](#)
Part No. > [6029868](#)



Illustration may differ

At a glance

- Parallel 30 mm wide laser line
- Sensing range up to 2 m
- Laser class 1 laser light
- Configuration via evaluation unit, e.g., for web edge guidance and detection of objects with position tolerance

Your benefits

- Versatile configuration options for individual application solutions
- Precise web edge guidance and detection of objects with high tolerance accuracy
- Laser light is laser class 1, which provides a high level of eye protection that eliminates the potential for eye injury



Features

Sensor/detection principle:	Through-beam photoelectric sensor
Dimensions (W x H x D):	13.4 mm x 47 mm x 52.9 mm
Housing design (light emission):	Rectangular
Sensing range max.:	0 m ... 3.5 m
Type of light:	Visible red light
Light source:	Laser ¹⁾
Laser class:	1 (EN 60 825-1)
XXX:	30 mm x 2.5 mm (parallel)

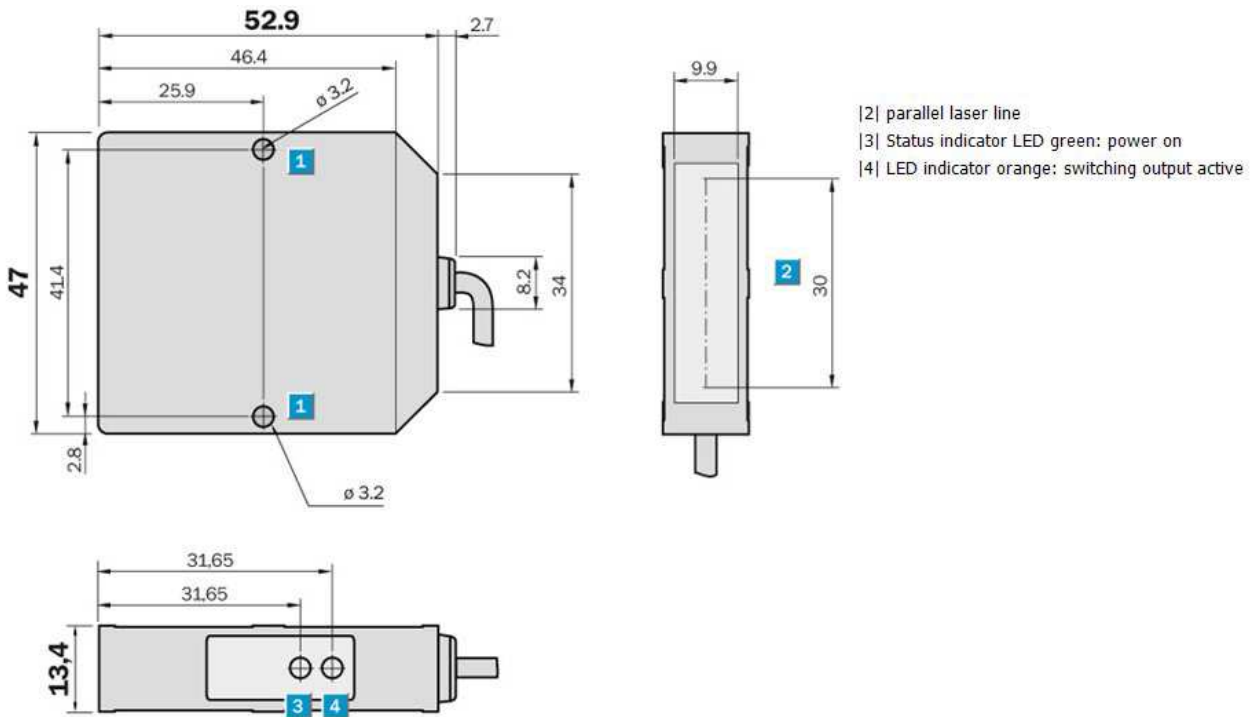
¹⁾ Average service life 50,000 h at T_A = +25 °C

Mechanics/electronics

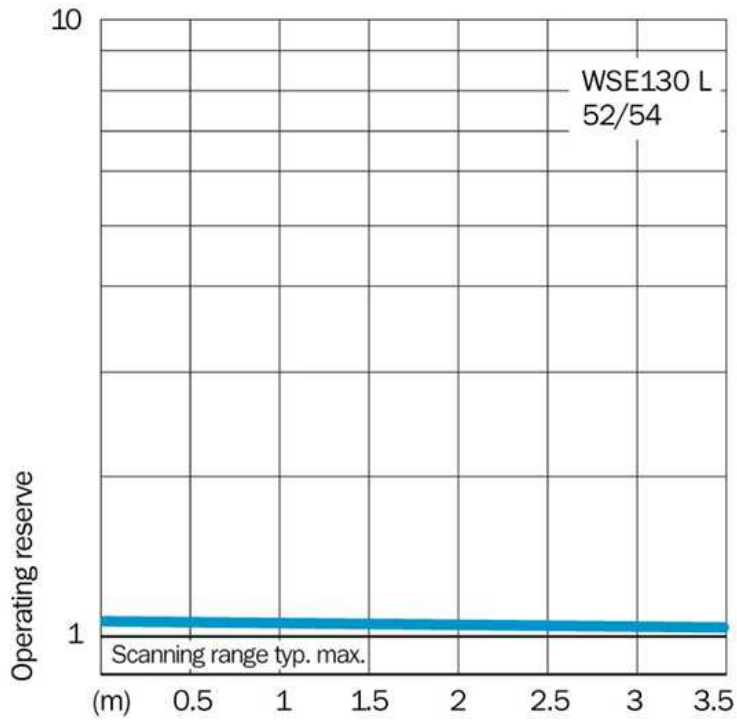
Electrical connection::	Cable with connector and coupling, 2 m ^{1) 2)}
Cable material:	PVC/PBT
Protection class:	III
Housing material:	Plastic, PC
Optics material:	PMMA
Enclosure rating:	IP 67
Ambient temperature operation:	-10 °C ... 55 °C
Ambient storage temperature:	-25 °C ... 70 °C

¹⁾ M8 system cable, 2 m required for connection. Included in delivery ²⁾ Do not bend below 0 °C

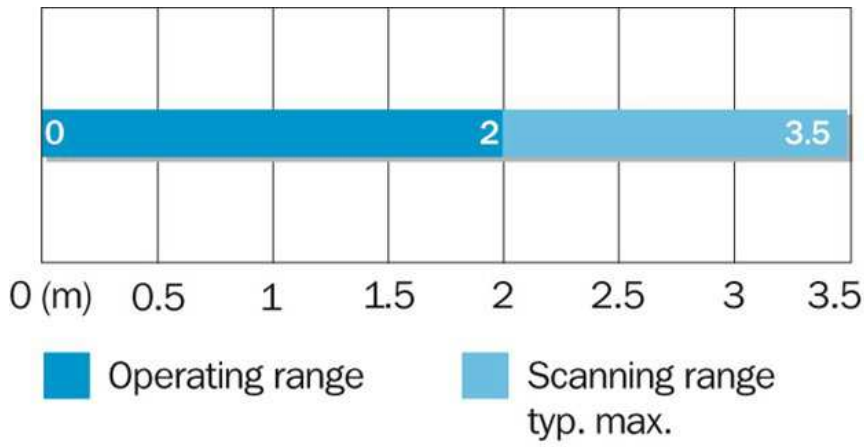
Dimensional drawing



Characteristic curve



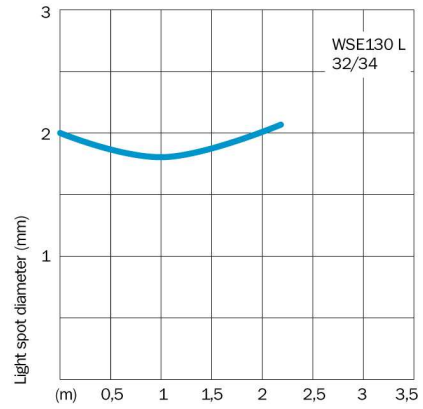
Sensing range diagram



Connection type



Light spot size



Australia

Phone +61 3 9457 0600
1800 33 48 02 – tollfree
E-Mail sales@sick.com.au

Belgium/Luxembourg

Phone +32 (0)2 466 55 66
E-Mail info@sick.be

Brasil

Phone +55 11 3215-4900
E-Mail marketing@sick.com.br

Canada

Phone +1 905 771 14 44
E-Mail information@sick.com

Česká republika

Phone +420 2 57 91 18 50
E-Mail sick@sick.cz

China

Phone +86 4000 121 000
E-Mail info.china@sick.net.cn
Phone +852-2153 6300
E-Mail ghk@sick.com.hk

Danmark

Phone +45 45 82 64 00
E-Mail sick@sick.dk

Deutschland

Phone +49 211 5301-301
E-Mail info@sick.de

España

Phone +34 93 480 31 00
E-Mail info@sick.es

France

Phone +33 1 64 62 35 00
E-Mail info@sick.fr

Great Britain

Phone +44 (0)1727 831121
E-Mail info@sick.co.uk

India

Phone +91-22-4033 8333
E-Mail info@sick-india.com

Israel

Phone +972-4-6881000
E-Mail info@sick-sensors.com

Italia

Phone +39 02 27 43 41
E-Mail info@sick.it

Japan

Phone +81 (0)3 5309 2112
E-Mail support@sick.jp

Magyarország

Phone +36 1 371 2680
E-Mail office@sick.hu

Nederland

Phone +31 (0)30 229 25 44
E-Mail info@sick.nl

Norge

Phone +47 67 81 50 00
E-Mail sick@sick.no

Österreich

Phone +43 (0)22 36 62 28 8-0
E-Mail office@sick.at

Polska

Phone +48 22 837 40 50
E-Mail info@sick.pl

România

Phone +40 356 171 120
E-Mail office@sick.ro

Russia

Phone +7-495-775-05-30
E-Mail info@sick.ru

Schweiz

Phone +41 41 619 29 39
E-Mail contact@sick.ch

Singapore

Phone +65 6744 3732
E-Mail sales.gsg@sick.com

Slovenija

Phone +386 (0)1-47 69 990
E-Mail office@sick.si

South Africa

Phone +27 11 472 3733
E-Mail info@sickautomation.co.za

South Korea

Phone +82 2 786 6321/4
E-Mail info@sickkorea.net

Suomi

Phone +358-9-25 15 800
E-Mail sick@sick.fi

Sverige

Phone +46 10 110 10 00
E-Mail info@sick.se

Taiwan

Phone +886 2 2375-6288
E-Mail sales@sick.com.tw

Türkiye

Phone +90 (216) 528 50 00
E-Mail info@sick.com.tr

United Arab Emirates

Phone +971 (0) 4 88 65 878
E-Mail info@sick.ae

USA/México

Phone +1(952) 941-6780
1 (800) 325-7425 – tollfree
E-Mail info@sickusa.com

More representatives and agencies
at www.sick.com