



Photoelectric sensors  
W100 Laser, Photoelectric proximity sensor,  
energetic

WT100L-F2241



**Model Name** > [WT100L-F2241](#)  
**Part No.** > [6030704](#)



*Illustration may differ*

**At a glance**

- Standard miniature housing with M3 threaded mounting holes
- Laser emitter LED, class 1
- Energetic proximity sensor
- Switching frequency of 2000 Hz
- Light/dark switching via rotary switch

**Your benefits**

- Laser light spot combined with 2 kHz switching frequency ensures reliable detection of small objects, even at fast detection speeds
- Less contamination due to high optical operating reserve
- M3 threaded mounting holes provide easy installation
- Highly visible laser light simplifies installation



**Features**

|                                  |   |
|----------------------------------|---|
| Sensor/detection principle:      | Photoelectric proximity sensor, energetic |
| Dimensions (W x H x D):          | 11 mm x 31 mm x 20 mm                     |
| Housing design (light emission): | Rectangular, Slim                         |
| Sensing range max.:              | 0 mm ... 450 mm <sup>1)</sup>             |
| Sensing range:                   | 0 mm ... 400 mm                           |
| Type of light:                   | Visible red light                         |
| Light source:                    | Laser <sup>2)</sup>                       |
| Laser class:                     | 1   |
| Wave length:                     | 650 nm                                    |
| Light spot diameter (distance):  | Ø 2 mm (400 mm)                           |
| Focus adjustable:                | -   |

<sup>1)</sup> Object with 90 % reflectance (referred to standard white DIN 5033) <sup>2)</sup> Average service life 50,000 h at T<sub>A</sub> = +25 °C

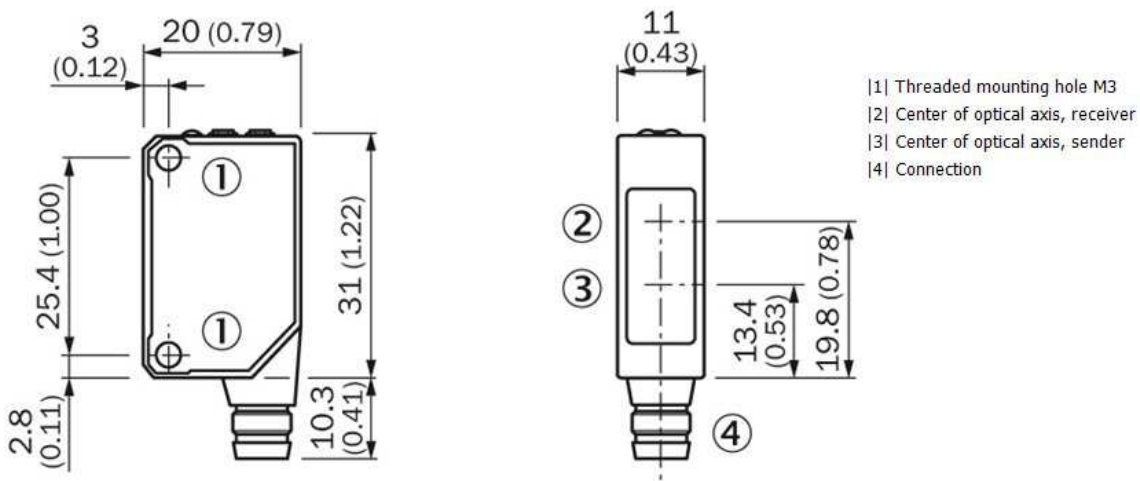
**Mechanics/electronics**

|                                    |  |
|------------------------------------|--|
| Supply voltage:                    | 10 V DC ... 30 V DC <sup>1)</sup>                              |
| Residual ripple:                   | ± 10 % <sup>2)</sup>   |
| Power consumption:                 | ≤ 30 mA <sup>3)</sup>  |
| Output type:                       | PNP, Light/dark-switching, manually selectable, open collector |
| Signal voltage PNP HIGH/LOW:       | UV - 1,8 V / ca. 0 V   |
| Output current I <sub>max.</sub> : | 100  |
| Response time:                     | < 0.25 ms <sup>4)</sup>  |

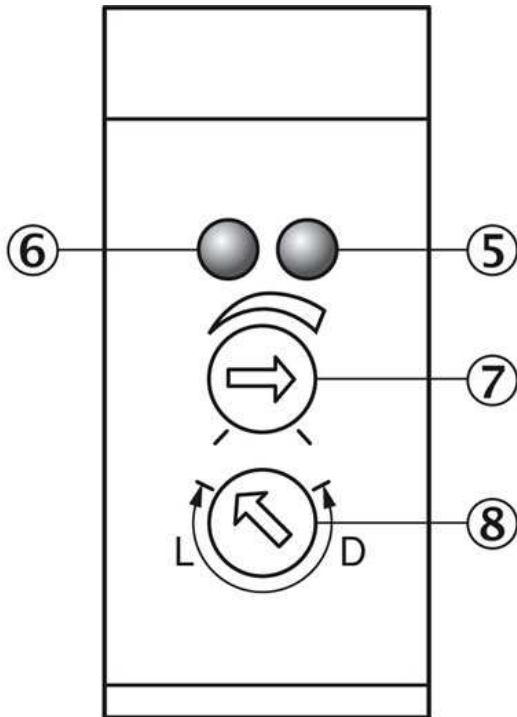
|                                |  |
|--------------------------------|--|
| Switching frequency:           | 2,000 <sup>5)</sup>                                      |
| Electrical connection:         | Connector M8, 4-pin                                      |
| Circuit protection:::          | A, B, D <sup>6) 7) 8)</sup>                              |
| Weight:                        | 10 g   |
| Housing material:              | ABS/PC   |
| Optics material:               | PMMA   |
| Enclosure rating:              | IP 65  |
| Items supplied:                | Stainless steel mounting bracket (1.4301/304) BEF-W100-A |
| Ambient temperature operation: | -10 °C ... 50 °C   |
| Ambient storage temperature:   | -40 °C ... 70 °C   |
| UL File-No.:                   | CDRH-conform   |

1) Limit values, operation in short-circuit protected network max. 8 A 2) May not exceed or fall short of  $V_S$  tolerances 3) Without load 4) Signal transit time with resistive load 5) With light/dark ratio 1:1 6) A =  $V_S$  connections reverse-polarity protected 7) B = inputs and output reverse-polarity protected 8) D = outputs overcurrent and short-circuit protected

### Dimensional drawing



## Adjustments possible

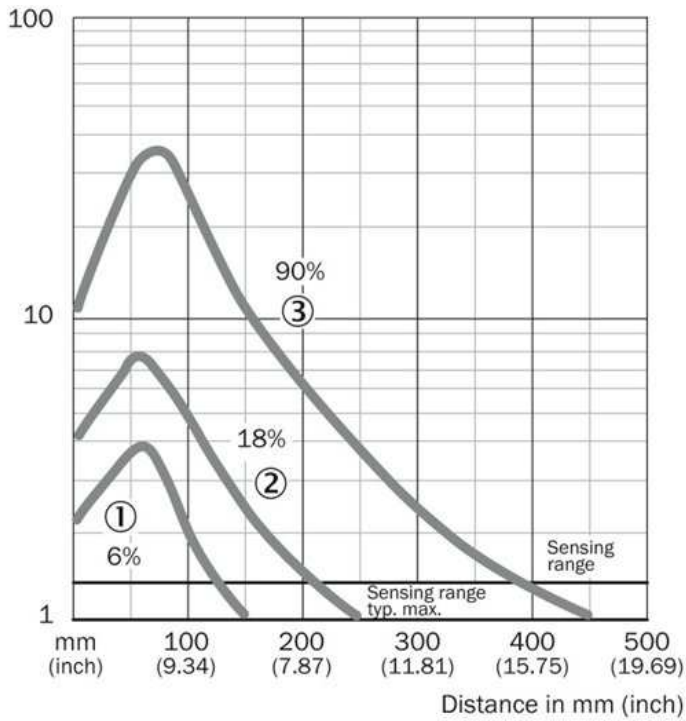


- |5| Orange LED indicator : switching output active
- |6| LED signal strength indicator green:power on
- |7| Sensing range adjustment: potentiometer, 5 turns
- |8| Light/ dark rotary switch L =  
light switching, D = dark switching

## Connection diagram

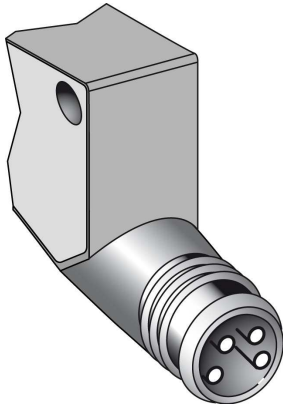


## Characteristic curve

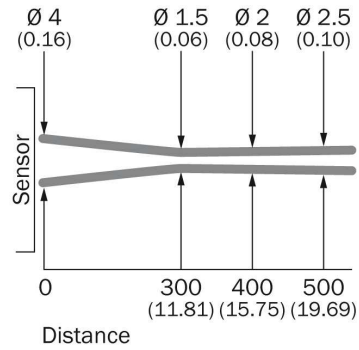


- |1| Sensing range on black, 6 % remission
- |2| Sensing range on grey, 18 % remission
- |3| Sensing range on white, 90 % remission

## Connection type

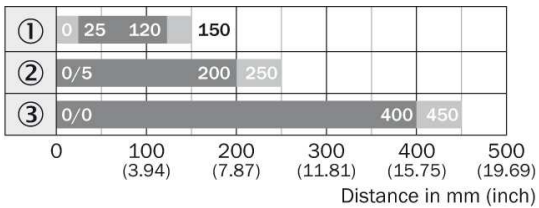


## Light spot size



All dimensions in mm (inch)

## Sensing range diagram



■ Sensing range      ■ Sensing range typ. max.

- ① Sensing range on black, 6 % remission
- ② Sensing range on gray, 18 % remission
- ③ Sensing range on white, 90 % remission

**Australia**

Phone +61 3 9457 0600  
1800 33 48 02 – tollfree  
E-Mail sales@sick.com.au

**Belgium/Luxembourg**

Phone +32 (0)2 466 55 66  
E-Mail info@sick.be

**Brasil**

Phone +55 11 3215-4900  
E-Mail marketing@sick.com.br

**Canada**

Phone +1 905 771 14 44  
E-Mail information@sick.com

**Česká republika**

Phone +420 2 57 91 18 50  
E-Mail sick@sick.cz

**China**

Phone +86 4000 121 000  
E-Mail info.china@sick.net.cn  
Phone +852-2153 6300  
E-Mail ghk@sick.com.hk

**Danmark**

Phone +45 45 82 64 00  
E-Mail sick@sick.dk

**Deutschland**

Phone +49 211 5301-301  
E-Mail info@sick.de

**España**

Phone +34 93 480 31 00  
E-Mail info@sick.es

**France**

Phone +33 1 64 62 35 00  
E-Mail info@sick.fr

**Great Britain**

Phone +44 (0)1727 831121  
E-Mail info@sick.co.uk

**India**

Phone +91-22-4033 8333  
E-Mail info@sick-india.com

**Israel**

Phone +972-4-6881000  
E-Mail info@sick-sensors.com

**Italia**

Phone +39 02 27 43 41  
E-Mail info@sick.it

**Japan**

Phone +81 (0)3 5309 2112  
E-Mail support@sick.jp

**Magyarország**

Phone +36 1 371 2680  
E-Mail office@sick.hu

**Nederland**

Phone +31 (0)30 229 25 44  
E-Mail info@sick.nl

**Norge**

Phone +47 67 81 50 00  
E-Mail sick@sick.no

**Österreich**

Phone +43 (0)22 36 62 28 8-0  
E-Mail office@sick.at

**Polska**

Phone +48 22 837 40 50  
E-Mail info@sick.pl

**România**

Phone +40 356 171 120  
E-Mail office@sick.ro

**Russia**

Phone +7-495-775-05-30  
E-Mail info@sick.ru

**Schweiz**

Phone +41 41 619 29 39  
E-Mail contact@sick.ch

**Singapore**

Phone +65 6744 3732  
E-Mail sales.gsg@sick.com

**Slovenija**

Phone +386 (0)1-47 69 990  
E-Mail office@sick.si

**South Africa**

Phone +27 11 472 3733  
E-Mail info@sickautomation.co.za

**South Korea**

Phone +82 2 786 6321/4  
E-Mail info@sickkorea.net

**Suomi**

Phone +358-9-25 15 800  
E-Mail sick@sick.fi

**Sverige**

Phone +46 10 110 10 00  
E-Mail info@sick.se

**Taiwan**

Phone +886 2 2375-6288  
E-Mail sales@sick.com.tw

**Türkiye**

Phone +90 (216) 528 50 00  
E-Mail info@sick.com.tr

**United Arab Emirates**

Phone +971 (0) 4 88 65 878  
E-Mail info@sick.ae

**USA/México**

Phone +1(952) 941-6780  
1 (800) 325-7425 – tollfree  
E-Mail info@sickusa.com

More representatives and agencies  
at [www.sick.com](http://www.sick.com)