



Photoelectric sensors
W100 Laser, Photoelectric retro-reflective
sensor, Standard optics

WL100L-F2231



Model Name > [WL100L-F2231](#)
Part No. > [6030710](#)



Illustration may differ

At a glance

- Standard miniature housing with M3 threaded mounting holes
- Laser emitter LED, class 1
- Standard optics
- Light/dark switching via rotary switch
- Switching frequency of 2000 Hz
- Polarizing filter used

Your benefits

- Laser light spot combined with 2 kHz switching frequency ensures reliable detection of small objects, even at fast detection speeds
- Less contamination due to high optical operating reserve
- M3 threaded mounting holes provide easy installation
- Polarization filter and consequently reliable detection of objects with shiny surfaces and prevents false switching



Features

Sensor/detection principle:	Photoelectric retro-reflective sensor, Standard optics
Dimensions (W x H x D):	11 mm x 31 mm x 20 mm
Housing design (light emission):	Rectangular, Slim
Sensing range max.:	0.08 m ... 12 m ¹⁾
Sensing range:	0.08 m ... 10 m ²⁾
Type of light:	Visible red light
Light source:	Laser ³⁾
Laser class:	1
Wave length:	650 nm
Light spot diameter (distance):	Ø 12 mm (10 m)
Focus adjustable:	-

^{1) 2)} P250F ³⁾ Average service life 50,000 h at T_A = +25 °C

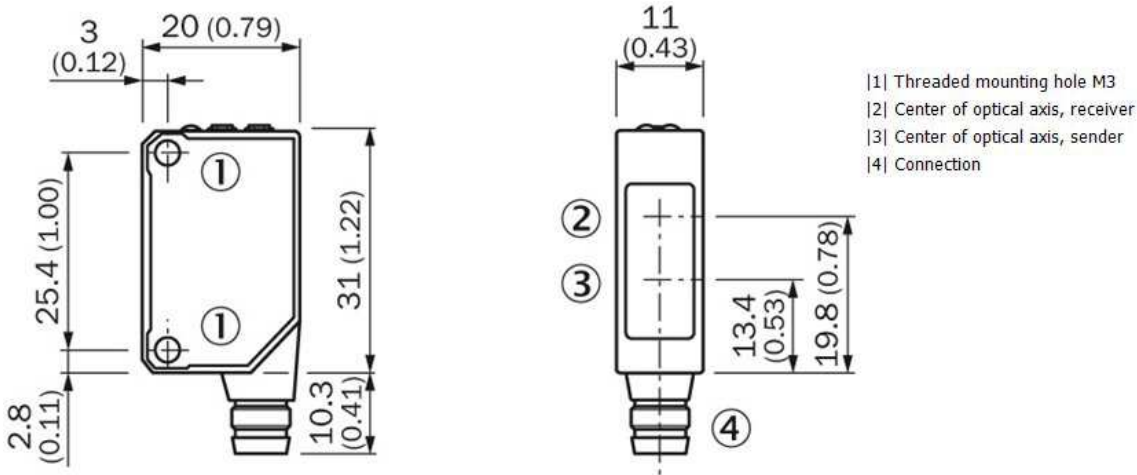
Mechanics/electronics

Supply voltage:	10 V DC ... 30 V DC ¹⁾
Residual ripple:	± 10 % ²⁾
Power consumption:	≤ 30 mA ³⁾
Output type:	PNP, Light/dark-switching, manually selectable, open collector

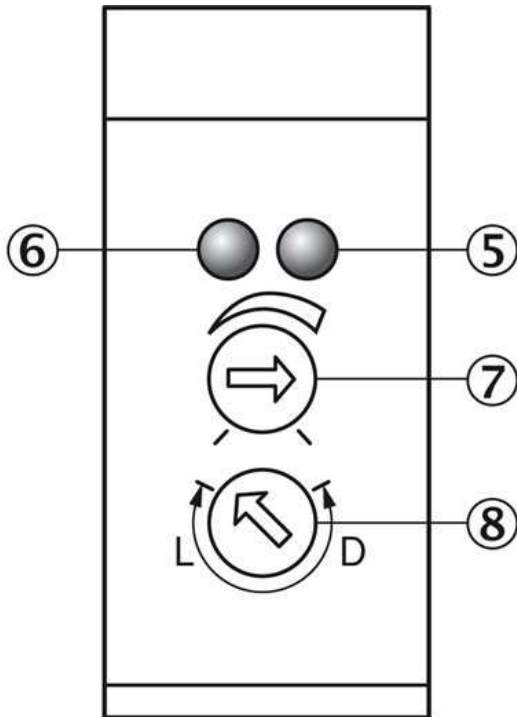
Signal voltage PNP HIGH/LOW:	UV - 1,8 V/ca. 0 V
Output current I _{max} ..:	100
Response time:	< 0.25 ms ⁴⁾
Switching frequency:	2,000 ⁵⁾
Electrical connection:	Connector M8, 4-pin
Circuit protection:::	A, B, D ^{6) 7) 8)}
Weight:	10 g
Polarisation filter:	✓
Housing material:	ABS/PC
Optics material:	PMMA
Enclosure rating:	IP 65
Items supplied:	Stainless steel mounting bracket (1.4301/304) BEF-W100-A, Reflector P250F
Ambient temperature operation:	-10 °C ... 50 °C
Ambient storage temperature:	-40 °C ... 70 °C
UL File-No.:	CDRH-conform

1) Limit values, operation in short-circuit protected network max. 8 A 2) May not exceed or fall short of V_S tolerances 3) Without load 4) Signal transit time with resistive load 5) With light/dark ratio 1:1 6) A = V_S connections reverse-polarity protected 7) B = inputs and output reverse-polarity protected 8) D = outputs overcurrent and short-circuit protected

Dimensional drawing



Adjustments possible

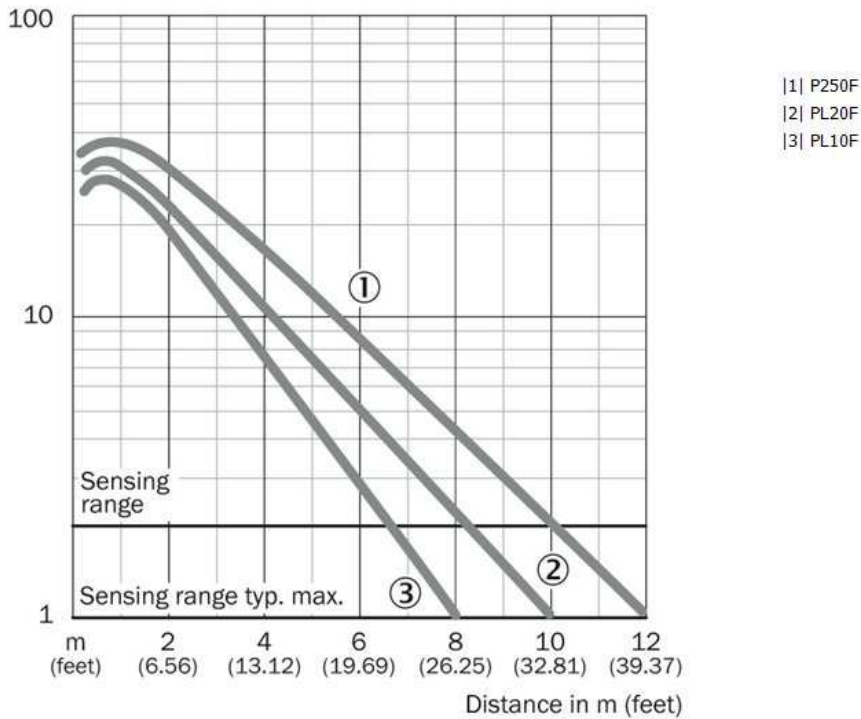


- |5| Orange LED indicator : switching output active
- |6| LED signal strength indicator green:power on
- |7| Sensing range adjustment: potentiometer, 5 turns
- |8| Light/ dark rotary switch L = light switching, D = dark switching

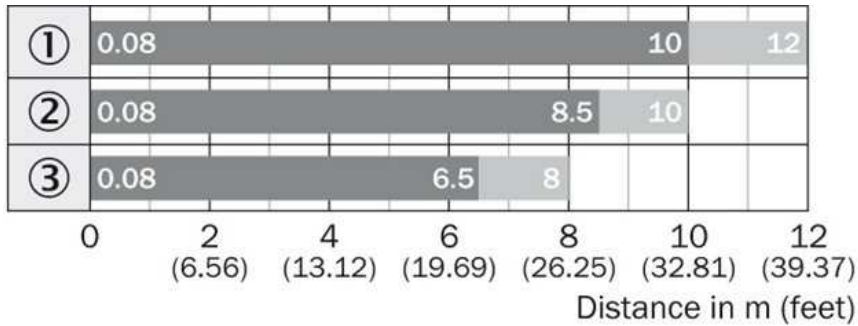
Connection diagram



Characteristic curve



Sensing range diagram

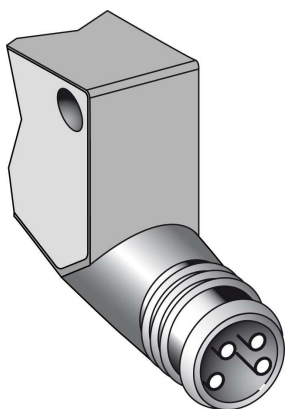


■ Sensing range ■ Sensing range typ. max.

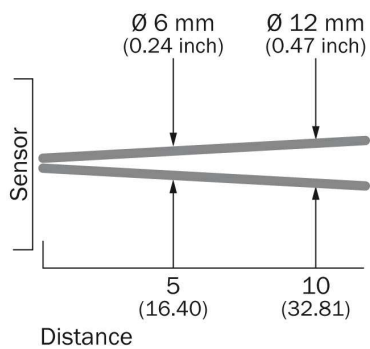
Reflector type

- ① P250F
- ② PL20F
- ③ PL10F

Connection type



Light spot size



All dimensions in m (feet)

Australia

Phone +61 3 9457 0600
1800 33 48 02 – tollfree
E-Mail sales@sick.com.au

Belgium/Luxembourg

Phone +32 (0)2 466 55 66
E-Mail info@sick.be

Brasil

Phone +55 11 3215-4900
E-Mail marketing@sick.com.br

Canada

Phone +1 905 771 14 44
E-Mail information@sick.com

Česká republika

Phone +420 2 57 91 18 50
E-Mail sick@sick.cz

China

Phone +86 4000 121 000
E-Mail info.china@sick.net.cn
Phone +852-2153 6300
E-Mail ghk@sick.com.hk

Danmark

Phone +45 45 82 64 00
E-Mail sick@sick.dk

Deutschland

Phone +49 211 5301-301
E-Mail info@sick.de

España

Phone +34 93 480 31 00
E-Mail info@sick.es

France

Phone +33 1 64 62 35 00
E-Mail info@sick.fr

Great Britain

Phone +44 (0)1727 831121
E-Mail info@sick.co.uk

India

Phone +91-22-4033 8333
E-Mail info@sick-india.com

Israel

Phone +972-4-6881000
E-Mail info@sick-sensors.com

Italia

Phone +39 02 27 43 41
E-Mail info@sick.it

Japan

Phone +81 (0)3 5309 2112
E-Mail support@sick.jp

Magyarország

Phone +36 1 371 2680
E-Mail office@sick.hu

Nederland

Phone +31 (0)30 229 25 44
E-Mail info@sick.nl

Norge

Phone +47 67 81 50 00
E-Mail sick@sick.no

Österreich

Phone +43 (0)22 36 62 28 8-0
E-Mail office@sick.at

Polska

Phone +48 22 837 40 50
E-Mail info@sick.pl

România

Phone +40 356 171 120
E-Mail office@sick.ro

Russia

Phone +7-495-775-05-30
E-Mail info@sick.ru

Schweiz

Phone +41 41 619 29 39
E-Mail contact@sick.ch

Singapore

Phone +65 6744 3732
E-Mail sales.gsg@sick.com

Slovenija

Phone +386 (0)1-47 69 990
E-Mail office@sick.si

South Africa

Phone +27 11 472 3733
E-Mail info@sickautomation.co.za

South Korea

Phone +82 2 786 6321/4
E-Mail info@sickkorea.net

Suomi

Phone +358-9-25 15 800
E-Mail sick@sick.fi

Sverige

Phone +46 10 110 10 00
E-Mail info@sick.se

Taiwan

Phone +886 2 2375-6288
E-Mail sales@sick.com.tw

Türkiye

Phone +90 (216) 528 50 00
E-Mail info@sick.com.tr

United Arab Emirates

Phone +971 (0) 4 88 65 878
E-Mail info@sick.ae

USA/México

Phone +1(952) 941-6780
1 (800) 325-7425 – tollfree
E-Mail info@sickusa.com

More representatives and agencies
at www.sick.com