



## Safety controllers Flexi Classic, I/O module

UE410-8DI4



**Model Name** > [UE410-8DI4](#)  
**Part No.** > [6032675](#)



**At a glance**

- Two different types: in-/output expansion modules and input expansion modules
- Two variants per type : module for common applications and an expert module for muting
- Modularly expandable
- 6 inputs, 4 outputs or 8 inputs
- Small width of 22.5 mm
- Pluggable terminals for a fast module replacement
- PNP outputs, each up to 2A

**Your benefits**

- Only one configuration for the complete system, simplifying commissioning
- Rich diagnostic functions available via Fieldbus gateway module
- Easy to expand if more inputs are required
- Easy diagnostics via clear LED status indicators
- Use of powerful PNP semiconductor outputs allows to remove relays



**Safety-related parameters**

Safety integrity level:	SIL3 (IEC 61508) SILCL3 (EN 62061)
Category:	category 4 (EN ISO 13849)
Performance level:	PL e (EN ISO 13849)
PFHd:	3.8 * 1E-09 (EN ISO 13849)
TM (mission time):	20 a (EN ISO 13849)

**Functions**

AND operation:	✓
OR operation:	✓
Bypass:	✓
Differentiation between man and material (muting):	-

**Mechanical data**

Dimensions (W x H x D):	22.5 mm x 96.5 mm x 120.8 mm
Weight:	150 g

**Electrical data**

Protection class:	III (EN 61140)
Voltage supply:	Via FLEXBUS

Power consumption:

3 W (DC)

Depending on the selected program and the connected sensors;

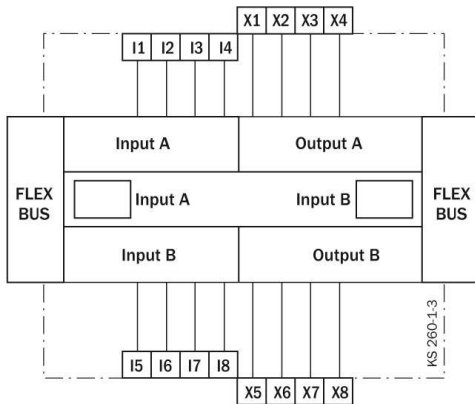
## Interfaces

Electrical connection:	Plug-in spring terminals
Eindrahtig oder feindrahtig (1x):	0.14 mm <sup>2</sup> ... 2.5 mm <sup>2</sup>
Eindrahtig oder feindrahtig (2x):	0.14 mm <sup>2</sup> ... 0.75 mm <sup>2</sup>
Finely stranded with ferrules (1x):	0.25 mm <sup>2</sup> ... 2.5 mm <sup>2</sup>
Finely stranded with ferrules (2x):	0.25 mm <sup>2</sup> ... 0.5 mm <sup>2</sup>
Number of inputs:	4 dual-channel or 8 single-channel

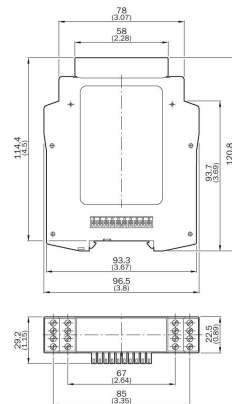
## Ambient data

Protection class housing:	IP 40 (EN 60529)
Enclosure rating terminals:	IP 20 (EN 60529)
Ambient operating temperature:	-25 °C ... +55 °C
Storage temperature:	-25 °C ... +70 °C
Air humidity:	15 % ... 95 %, non-condensing
Climate conditions according to:	EN 61131-2 (55 °C ambient operating temperature, 95% rel. humidity)
Electromagnetic compatibility (EMC):	Class A (EN 61000-6-2, EN 55011)
Vibration resistance:	5 g RMS, 5 Hz ... 500 Hz (EN 60068-2-64)

## Connection diagram



## Dimensional drawing



**Australia**

Phone +61 3 9457 0600  
1800 33 48 02 – tollfree  
E-Mail sales@sick.com.au

**Belgium/Luxembourg**

Phone +32 (0)2 466 55 66  
E-Mail info@sick.be

**Brasil**

Phone +55 11 3215-4900  
E-Mail marketing@sick.com.br

**Canada**

Phone +1 905 771 14 44  
E-Mail information@sick.com

**Česká republika**

Phone +420 2 57 91 18 50  
E-Mail sick@sick.cz

**China**

Phone +86 4000 121 000  
E-Mail info.china@sick.net.cn  
Phone +852-2153 6300  
E-Mail ghk@sick.com.hk

**Danmark**

Phone +45 45 82 64 00  
E-Mail sick@sick.dk

**Deutschland**

Phone +49 211 5301-301  
E-Mail info@sick.de

**España**

Phone +34 93 480 31 00  
E-Mail info@sick.es

**France**

Phone +33 1 64 62 35 00  
E-Mail info@sick.fr

**Great Britain**

Phone +44 (0)1727 831121  
E-Mail info@sick.co.uk

**India**

Phone +91-22-4033 8333  
E-Mail info@sick-india.com

**Israel**

Phone +972-4-6881000  
E-Mail info@sick-sensors.com

**Italia**

Phone +39 02 27 43 41  
E-Mail info@sick.it

**Japan**

Phone +81 (0)3 5309 2112  
E-Mail support@sick.jp

**Magyarország**

Phone +36 1 371 2680  
E-Mail office@sick.hu

**Nederland**

Phone +31 (0)30 229 25 44  
E-Mail info@sick.nl

**Norge**

Phone +47 67 81 50 00  
E-Mail sick@sick.no

**Österreich**

Phone +43 (0)22 36 62 28 8-0  
E-Mail office@sick.at

**Polska**

Phone +48 22 837 40 50  
E-Mail info@sick.pl

**România**

Phone +40 356 171 120  
E-Mail office@sick.ro

**Russia**

Phone +7-495-775-05-30  
E-Mail info@sick.ru

**Schweiz**

Phone +41 41 619 29 39  
E-Mail contact@sick.ch

**Singapore**

Phone +65 6744 3732  
E-Mail sales.gsg@sick.com

**Slovenija**

Phone +386 (0)1-47 69 990  
E-Mail office@sick.si

**South Africa**

Phone +27 11 472 3733  
E-Mail info@sickautomation.co.za

**South Korea**

Phone +82 2 786 6321/4  
E-Mail info@sickkorea.net

**Suomi**

Phone +358-9-25 15 800  
E-Mail sick@sick.fi

**Sverige**

Phone +46 10 110 10 00  
E-Mail info@sick.se

**Taiwan**

Phone +886 2 2375-6288  
E-Mail sales@sick.com.tw

**Türkiye**

Phone +90 (216) 528 50 00  
E-Mail info@sick.com.tr

**United Arab Emirates**

Phone +971 (0) 4 88 65 878  
E-Mail info@sick.ae

**USA/México**

Phone +1(952) 941-6780  
1 (800) 325-7425 – tollfree  
E-Mail info@sickusa.com

More representatives and agencies  
at [www.sick.com](http://www.sick.com)