



Photoelectric sensors W130 Laser

WI130T-P340



Model Name > [WI130T-P340](#)
Part No. > [6032851](#)



At a glance

- Many functional options for configuration
- Quick and easy installation and set up
- Digital display for setup and operator guidance
- Switching output type
- Switching frequency up to 8.3 kHz

Your benefits

- Versatile application solution for customer-specific applications
- Reliable detection of the smallest, unguided parts
- Precise guidance of web materials
- Reliable edge detection even when the edge location is undefined



Features

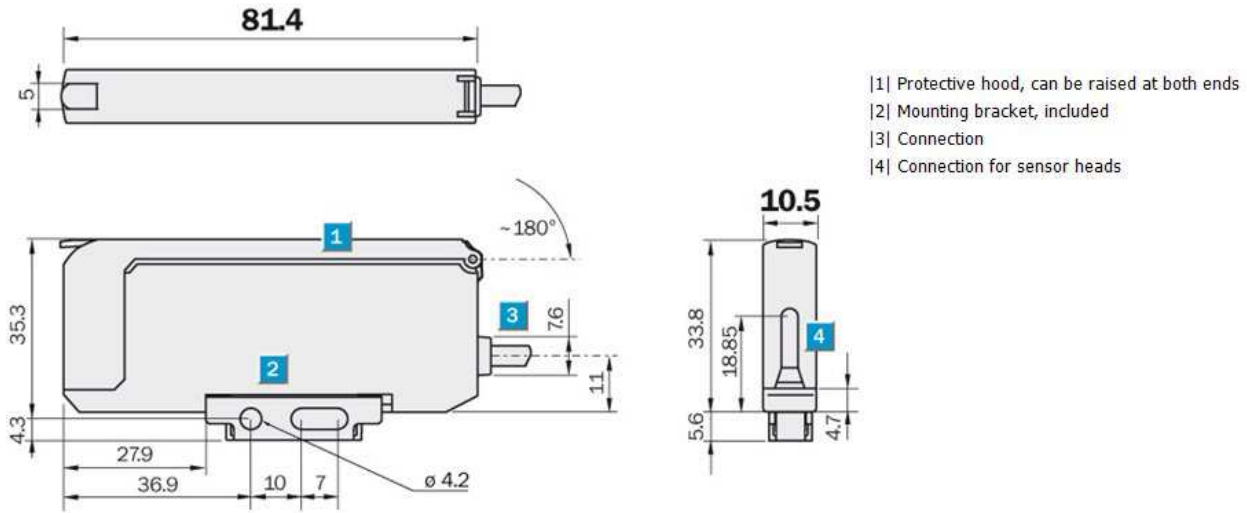
Dimensions (W x H x D):	10.5 mm x 33.8 mm x 81.4 mm
Housing design (light emission):	Rectangular
Sensitivity adjustment:	Teach cable
Teach-in:	Single teach-in button
Delay time:	ON and OFF delay, 0 ... 9 s:

Mechanics/electronics

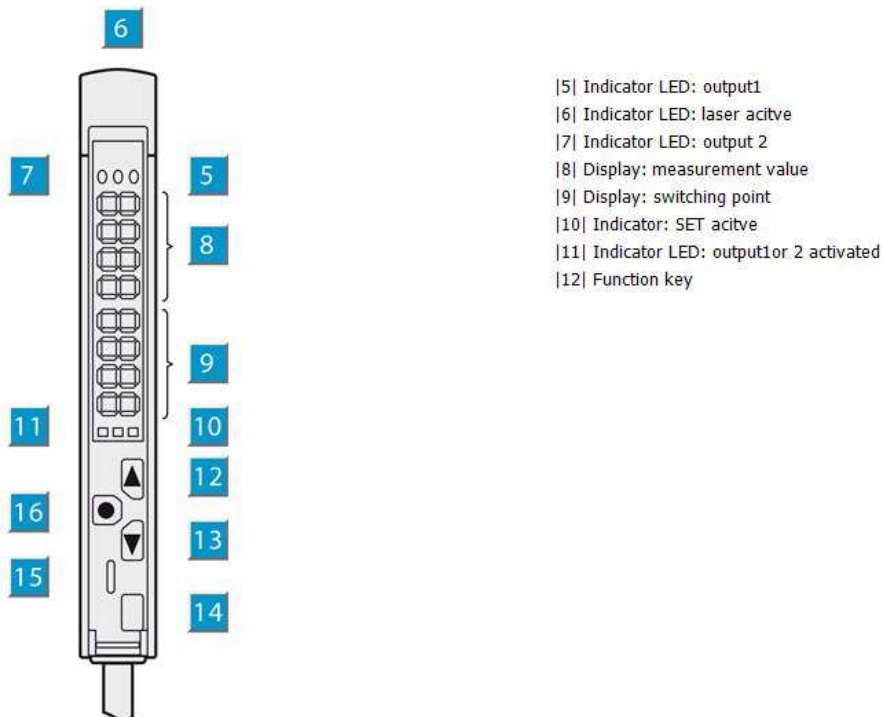
Supply voltage:	12 V DC ... 24 V DC ¹⁾
Power consumption:	≤ 50 mA
Output type:	PNP, Light/dark-switching, programmable
Output current I _{max} ·:	≤ 100 mA
Response time:	60 μs 500 μs 5 ms
Electrical connection:	Connector M8, 4-pin
Circuit protection::	A, D ^{2) 3)}
Protection class:	III
Housing material:	PPE/PC
Enclosure rating:	IP 50
Items supplied:	Mounting bracket
Ambient temperature operation:	-25 °C ... 55 °C ⁴⁾
Ambient storage temperature:	-40 °C ... 70 °C

1) $\pm 10\%$ 2) $A = V_S$ connections reverse-polarity protected 3) D = outputs overcurrent and short-circuit protected 4)

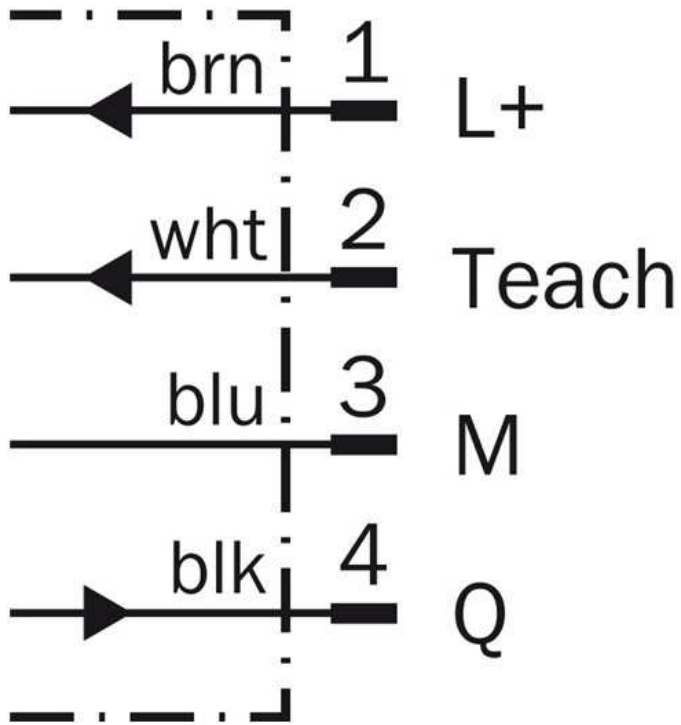
Dimensional drawing



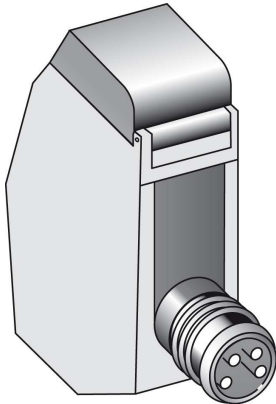
Adjustments possible



Connection diagram



Connection type



Australia

Phone +61 3 9457 0600
1800 33 48 02 – tollfree
E-Mail sales@sick.com.au

Belgium/Luxembourg

Phone +32 (0)2 466 55 66
E-Mail info@sick.be

Brasil

Phone +55 11 3215-4900
E-Mail marketing@sick.com.br

Canada

Phone +1 905 771 14 44
E-Mail information@sick.com

Česká republika

Phone +420 2 57 91 18 50
E-Mail sick@sick.cz

China

Phone +86 4000 121 000
E-Mail info.china@sick.net.cn
Phone +852-2153 6300
E-Mail ghk@sick.com.hk

Danmark

Phone +45 45 82 64 00
E-Mail sick@sick.dk

Deutschland

Phone +49 211 5301-301
E-Mail info@sick.de

España

Phone +34 93 480 31 00
E-Mail info@sick.es

France

Phone +33 1 64 62 35 00
E-Mail info@sick.fr

Great Britain

Phone +44 (0)1727 831121
E-Mail info@sick.co.uk

India

Phone +91-22-4033 8333
E-Mail info@sick-india.com

Israel

Phone +972-4-6881000
E-Mail info@sick-sensors.com

Italia

Phone +39 02 27 43 41
E-Mail info@sick.it

Japan

Phone +81 (0)3 5309 2112
E-Mail support@sick.jp

Magyarország

Phone +36 1 371 2680
E-Mail office@sick.hu

Nederland

Phone +31 (0)30 229 25 44
E-Mail info@sick.nl

Norge

Phone +47 67 81 50 00
E-Mail sick@sick.no

Österreich

Phone +43 (0)22 36 62 28 8-0
E-Mail office@sick.at

Polska

Phone +48 22 837 40 50
E-Mail info@sick.pl

România

Phone +40 356 171 120
E-Mail office@sick.ro

Russia

Phone +7-495-775-05-30
E-Mail info@sick.ru

Schweiz

Phone +41 41 619 29 39
E-Mail contact@sick.ch

Singapore

Phone +65 6744 3732
E-Mail sales.gsg@sick.com

Slovenija

Phone +386 (0)1-47 69 990
E-Mail office@sick.si

South Africa

Phone +27 11 472 3733
E-Mail info@sickautomation.co.za

South Korea

Phone +82 2 786 6321/4
E-Mail info@sickkorea.net

Suomi

Phone +358-9-25 15 800
E-Mail sick@sick.fi

Sverige

Phone +46 10 110 10 00
E-Mail info@sick.se

Taiwan

Phone +886 2 2375-6288
E-Mail sales@sick.com.tw

Türkiye

Phone +90 (216) 528 50 00
E-Mail info@sick.com.tr

United Arab Emirates

Phone +971 (0) 4 88 65 878
E-Mail info@sick.ae

USA/México

Phone +1(952) 941-6780
1 (800) 325-7425 – tollfree
E-Mail info@sickusa.com

More representatives and agencies
at www.sick.com