



Image-based code readers
ICR80x / ICR803-B / Mid Range

ICR803-B0201



Model Name > [ICR803-B0201](#)
Part No. > [6034211](#)



At a glance

- Omni-directional code reading
- Optical alignment
- Extremely compact
- Lightweight
- USB and RS-232 versions
- RoHS and WEEE compliant
- Triggering via button, presentation mode, serial commands or hardware trigger via SICK connection technology

Your benefits

- Fast and reliable 1D and 2D code identification
- Read multiple code types with one device, accommodating future code changes
- Easy and fast installation and configuration
- No moving parts and a large reading field reduce adjustments
- Small size makes it easy to integrate in limited spaces



Features

Version:	Mid Range
Reading field:	Front
Focus:	Fixed focus
Focus position:	180 mm
Sensor:	752 x 480 px
Code resolution::	≥0.21 mm, ≥0.38 mm ^{1) 2)}
Reading distance::	50 mm ... 330 mm ^{3) 4)}
Light source:	Visible green light (LED aiming line, 530 nm), Visible red light (LED lighting, 630 nm)
Electrical connection:	Serial

1) 3) 1D 2) 2D 4) For details see reading field diagram

Performance

Bar code types:	Codabar, Codablock, Code 128, Code 39, Code 93, Interleaved 2 of 5, Post (only SR/SF): Postnet, Planet Code, Royal Mail, Canada Post (PostBar), Japan Post, KIX (Royal Dutch TPG Post), RSS, UPC/GTIN/EAN
2D code types:	Aztec, Aztec Mesas, Code 49 and EAN•UCC Composite, Data Matrix, MaxiCode, QR code
OCR fonts:	OCR-A, OCR-B
Image capture:	BMP, JPEG, TIFF

Interfaces

Serial (RS-232):	✓
Function (Serial (RS-232)):	RS-232 TTL
USB:	-
Ethernet:	✓
Remark (Ethernet):	Optional via external connection module (CDM + CMF)
CAN bus:	✓
Remark (CAN bus):	Optional via external connection module (CAN232)
PROFIBUS DP:	✓
Remark (PROFIBUS DP):	Optional via external connection module (CDF)
PROFINET:	-
DeviceNet:	✓
Remark (DeviceNet):	Optional via external connection module (CDM + CMF)
PS/2:	-
Bluetooth:	-
Acoustic indicators:	Beeper (can be switched off, to confirm reading)

Mechanics/electronics

Operating voltage:	≤ 5 V DC
Housing:	Plastic
Housing color:	Light blue (RAL 5012)
Weight:	37 g
Dimensions:	49 mm x 40 mm x 25 mm

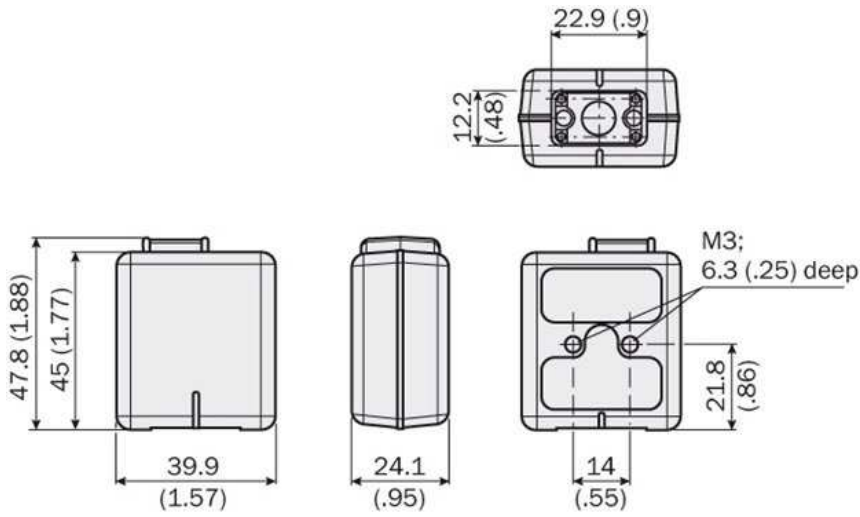
Ambient data

Ambient operating temperature:	0 °C ... +50 °C
Storage temperature:	-20 °C ... +60 °C

General notes

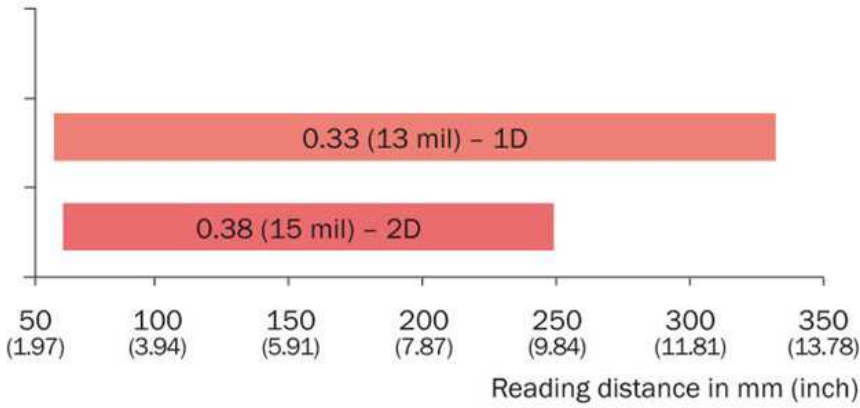
Note:	For setting-up operation ia a connection cable and if necessary a power supply unit is additionally required.
-------	---

Dimensional drawing



Reading field diagram

Module/Cell size in mm (inch)



Australia

Phone +61 3 9457 0600
1800 33 48 02 – tollfree
E-Mail sales@sick.com.au

Belgium/Luxembourg

Phone +32 (0)2 466 55 66
E-Mail info@sick.be

Brasil

Phone +55 11 3215-4900
E-Mail marketing@sick.com.br

Canada

Phone +1 905 771 14 44
E-Mail information@sick.com

Česká republika

Phone +420 2 57 91 18 50
E-Mail sick@sick.cz

China

Phone +86 4000 121 000
E-Mail info.china@sick.net.cn
Phone +852-2153 6300
E-Mail ghk@sick.com.hk

Danmark

Phone +45 45 82 64 00
E-Mail sick@sick.dk

Deutschland

Phone +49 211 5301-301
E-Mail info@sick.de

España

Phone +34 93 480 31 00
E-Mail info@sick.es

France

Phone +33 1 64 62 35 00
E-Mail info@sick.fr

Great Britain

Phone +44 (0)1727 831121
E-Mail info@sick.co.uk

India

Phone +91-22-4033 8333
E-Mail info@sick-india.com

Israel

Phone +972-4-6881000
E-Mail info@sick-sensors.com

Italia

Phone +39 02 27 43 41
E-Mail info@sick.it

Japan

Phone +81 (0)3 5309 2112
E-Mail support@sick.jp

Magyarország

Phone +36 1 371 2680
E-Mail office@sick.hu

Nederland

Phone +31 (0)30 229 25 44
E-Mail info@sick.nl

Norge

Phone +47 67 81 50 00
E-Mail sick@sick.no

Österreich

Phone +43 (0)22 36 62 28 8-0
E-Mail office@sick.at

Polska

Phone +48 22 837 40 50
E-Mail info@sick.pl

România

Phone +40 356 171 120
E-Mail office@sick.ro

Russia

Phone +7-495-775-05-30
E-Mail info@sick.ru

Schweiz

Phone +41 41 619 29 39
E-Mail contact@sick.ch

Singapore

Phone +65 6744 3732
E-Mail sales.gsg@sick.com

Slovenija

Phone +386 (0)1-47 69 990
E-Mail office@sick.si

South Africa

Phone +27 11 472 3733
E-Mail info@sickautomation.co.za

South Korea

Phone +82 2 786 6321/4
E-Mail info@sickkorea.net

Suomi

Phone +358-9-25 15 800
E-Mail sick@sick.fi

Sverige

Phone +46 10 110 10 00
E-Mail info@sick.se

Taiwan

Phone +886 2 2375-6288
E-Mail sales@sick.com.tw

Türkiye

Phone +90 (216) 528 50 00
E-Mail info@sick.com.tr

United Arab Emirates

Phone +971 (0) 4 88 65 878
E-Mail info@sick.ae

USA/México

Phone +1(952) 941-6780
1 (800) 325-7425 – tollfree
E-Mail info@sickusa.com

More representatives and agencies
at www.sick.com