



Image-based code readers  
ICR80x / ICR803-A / Smart Focus

ICR803-A0271



**Model Name** > [ICR803-A0271](#)  
**Part No.** > [6034212](#)



**At a glance**

- Omni-directional code reading
- Optical alignment
- Extremely compact
- Lightweight
- USB and RS-232 versions
- RoHS and WEEE compliant
- Triggering via button, presentation mode, serial commands or hardware trigger via SICK connection technology

**Your benefits**

- Fast and reliable 1D and 2D code identification
- Read multiple code types with one device, accommodating future code changes
- Easy and fast installation and configuration
- No moving parts and a large reading field reduce adjustments
- Small size makes it easy to integrate in limited spaces



**Features**

Version:	Smart Focus
Reading field:	Front
Focus:	Fixed focus
Focus position:	115 mm
Sensor:	752 x 480 px
Code resolution::	≥0.19 mm, ≥0.25 mm <sup>1) 2)</sup>
Reading distance::	60 mm ... 160 mm <sup>3) 4)</sup>
Light source:	Visible green light (LED aiming line, 530 nm), Visible red light (LED lighting, 630 nm)
Electrical connection:	USB

1) 3) <sub>1D</sub> 2) <sub>2D</sub> 4) For details see reading field diagram

**Performance**

Bar code types:	Codabar, Codablock, Code 128, Code 39, Code 93, Interleaved 2 of 5, Post (only SR/SF): Postnet, Planet Code, Royal Mail, Canada Post (PostBar), Japan Post, KIX (Royal Dutch TPG Post), RSS, UPC/GTIN/EAN
2D code types:	Aztec, Aztec Mesas, Code 49 and EAN•UCC Composite, Data Matrix, MaxiCode, QR code
OCR fonts:	OCR-A, OCR-B
Image capture:	BMP, JPEG, TIFF

### Interfaces

---

Serial (RS-232):	-
USB:	✓
Function (USB):	Keyboard wedge, COM-Port emulation
Ethernet:	✓
Remark (Ethernet):	Optional via external connection module (CDM + CMF)
CAN bus:	✓
Remark (CAN bus):	Optional via external connection module (CAN232)
PROFIBUS DP:	✓
Remark (PROFIBUS DP):	Optional via external connection module (CDF)
PROFINET:	-
DeviceNet:	✓
Remark (DeviceNet):	Optional via external connection module (CDM + CMF)
PS/2:	-
Bluetooth:	-
Acoustic indicators:	Beeper (can be switched off, to confirm reading)

### Mechanics/electronics

---

Operating voltage:	≤ 5 V DC
Housing:	Plastic
Housing color:	Light blue (RAL 5012)
Weight:	37 g
Dimensions:	49 mm x 40 mm x 25 mm

### Ambient data

---

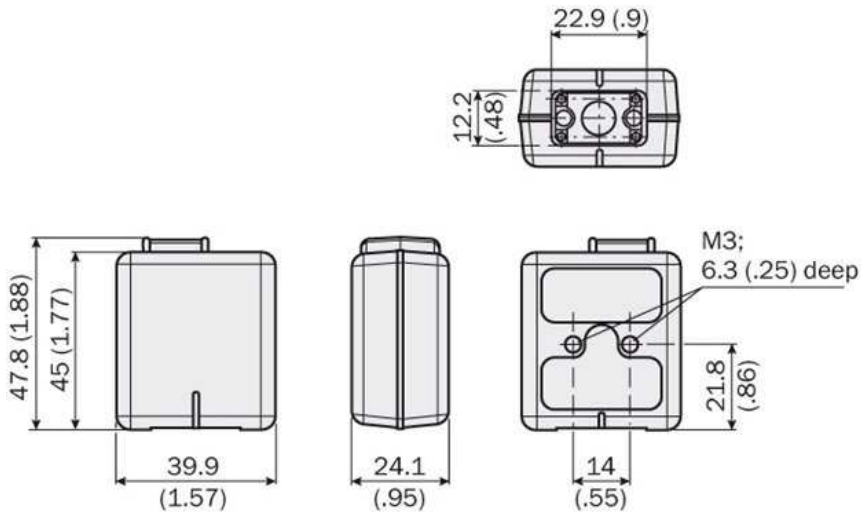
Ambient operating temperature:	0 °C ... +50 °C
Storage temperature:	-20 °C ... +60 °C

### General notes

---

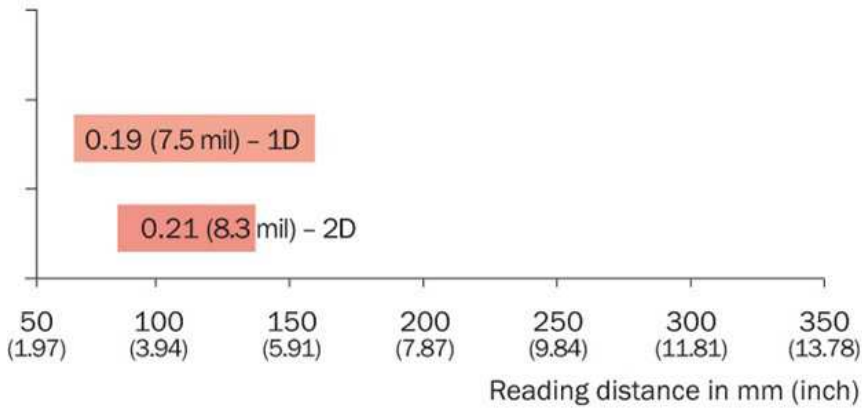
Note:	For setting-up operation ia a connection cable and if necessary a power supply unit is additionally required.
-------	---

## Dimensional drawing



## Reading field diagram

Module/Cell size in mm (inch)



**Australia**

Phone +61 3 9457 0600  
1800 33 48 02 – tollfree  
E-Mail sales@sick.com.au

**Belgium/Luxembourg**

Phone +32 (0)2 466 55 66  
E-Mail info@sick.be

**Brasil**

Phone +55 11 3215-4900  
E-Mail marketing@sick.com.br

**Canada**

Phone +1 905 771 14 44  
E-Mail information@sick.com

**Česká republika**

Phone +420 2 57 91 18 50  
E-Mail sick@sick.cz

**China**

Phone +86 4000 121 000  
E-Mail info.china@sick.net.cn  
Phone +852-2153 6300  
E-Mail ghk@sick.com.hk

**Danmark**

Phone +45 45 82 64 00  
E-Mail sick@sick.dk

**Deutschland**

Phone +49 211 5301-301  
E-Mail info@sick.de

**España**

Phone +34 93 480 31 00  
E-Mail info@sick.es

**France**

Phone +33 1 64 62 35 00  
E-Mail info@sick.fr

**Great Britain**

Phone +44 (0)1727 831121  
E-Mail info@sick.co.uk

**India**

Phone +91-22-4033 8333  
E-Mail info@sick-india.com

**Israel**

Phone +972-4-6881000  
E-Mail info@sick-sensors.com

**Italia**

Phone +39 02 27 43 41  
E-Mail info@sick.it

**Japan**

Phone +81 (0)3 5309 2112  
E-Mail support@sick.jp

**Magyarország**

Phone +36 1 371 2680  
E-Mail office@sick.hu

**Nederland**

Phone +31 (0)30 229 25 44  
E-Mail info@sick.nl

**Norge**

Phone +47 67 81 50 00  
E-Mail sick@sick.no

**Österreich**

Phone +43 (0)22 36 62 28 8-0  
E-Mail office@sick.at

**Polska**

Phone +48 22 837 40 50  
E-Mail info@sick.pl

**România**

Phone +40 356 171 120  
E-Mail office@sick.ro

**Russia**

Phone +7-495-775-05-30  
E-Mail info@sick.ru

**Schweiz**

Phone +41 41 619 29 39  
E-Mail contact@sick.ch

**Singapore**

Phone +65 6744 3732  
E-Mail sales.gsg@sick.com

**Slovenija**

Phone +386 (0)1-47 69 990  
E-Mail office@sick.si

**South Africa**

Phone +27 11 472 3733  
E-Mail info@sickautomation.co.za

**South Korea**

Phone +82 2 786 6321/4  
E-Mail info@sickkorea.net

**Suomi**

Phone +358-9-25 15 800  
E-Mail sick@sick.fi

**Sverige**

Phone +46 10 110 10 00  
E-Mail info@sick.se

**Taiwan**

Phone +886 2 2375-6288  
E-Mail sales@sick.com.tw

**Türkiye**

Phone +90 (216) 528 50 00  
E-Mail info@sick.com.tr

**United Arab Emirates**

Phone +971 (0) 4 88 65 878  
E-Mail info@sick.ae

**USA/México**

Phone +1(952) 941-6780  
1 (800) 325-7425 – tollfree  
E-Mail info@sickusa.com

More representatives and agencies  
at [www.sick.com](http://www.sick.com)