



## Transponder safety switches T4000 Direct Sensor

T40-E0121K



**Model Name** > [T40-E0121K](#)  
**Part No.** > [6035042](#)



*actuator not supplied  
with delivery*

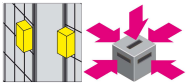
**At a glance**

- Multicoded and unique coded sensors
- Response range of up to 19 mm
- Safe series connection of up to 20 sensors possible
- Two OSSD safety outputs for direct connection of sensors to a single safety controller
- LED status indicator
- Up to performance level PL e / Cat. 4 (EN ISO 13849)
- Sensors with plug connector

**Your benefits**

- High level of prevention against tampering due to individually coded actuator (depending on type)
- High level of machine availability due to high tolerances for door misalignment
- High level of machine reliability due to resistance to shocks and vibrations
- Cascadability of up to 20 sensors saves costs
- Just one safety switch in conjunction with a suitable safety module makes it possible to solve applications up to PL e and Cat. 4 (EN ISO 13849)
- Long service life due to durable and low-maintenance design

**Note: The actuator has to be ordered separately. See "Accessories" for further details.**



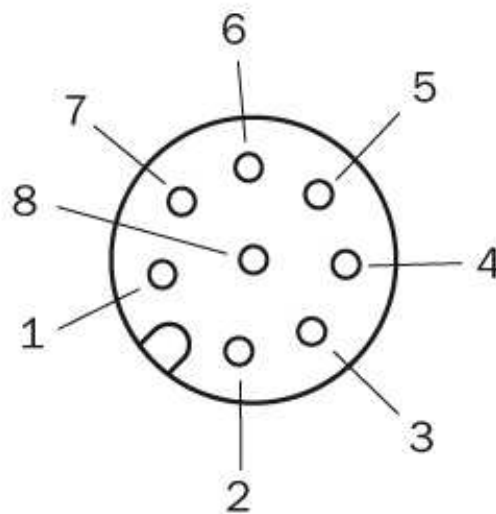
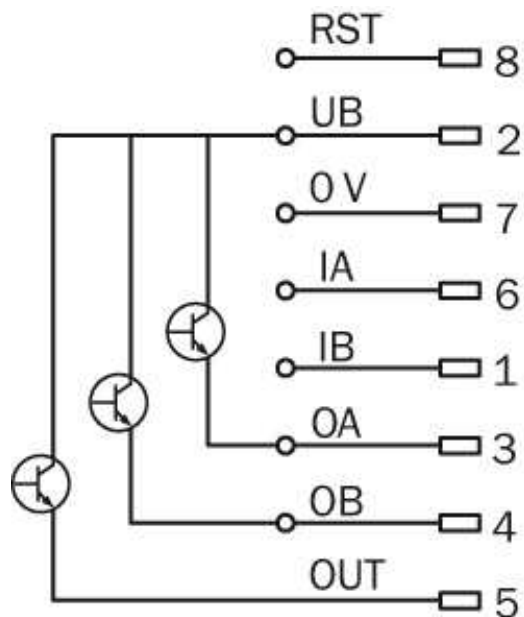
**Technical data**

Sensor principle:	Transponder
Coding:	Unique coded
Safety integrity level:	SILCL3 (EN 62061)
Category:	category 4 (EN ISO 13849)
Performance level:	PL e (EN ISO 13849)
PFHd:	2.1 * 1E-09 (EN ISO 13849)
TM (mission time):	20 a (EN ISO 13849)
Classification in compliance with IEC/EN 60947-5-3:	PDF-M
Housing material:	Plastic PTB VO GF30
Enclosure rating:	IP 67
Protection class:	III

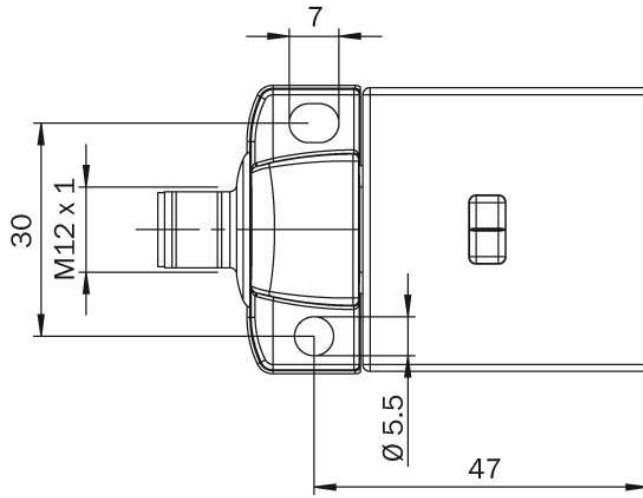
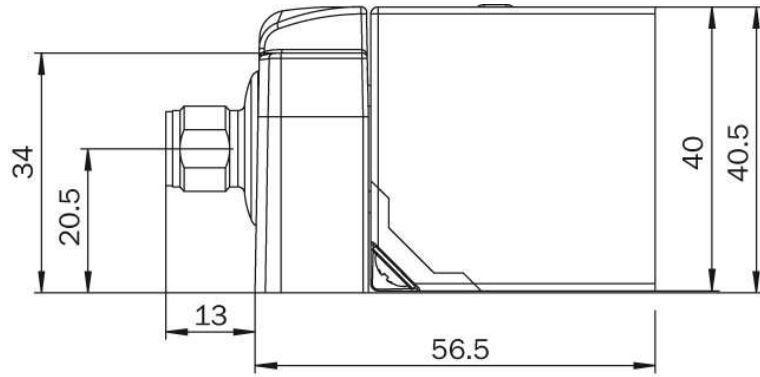
Ambient operating temperature:	-20 °C ... +55 °C
Electrical connection:	Plug connector, M12, 8-pin
Type of output:	Semiconductor (OSSD)
Number of safe outputs:	2
Response time:	290 ms
Supply voltage typical, from, to:	24 V DC, 20.4 V DC, 27.6 V DC
Rated operating current (voltage):	0.4 A (24 V DC)
Safe switch on distance Sao:::	15 mm 18 mm <sup>1) 2) 3)</sup> 19 mm
Status display:	✓
Weight:	0.4 kg

<sup>1)</sup> With actuator T4000-1KBA <sup>2)</sup> With actuator T4000-1KBQ <sup>3)</sup> With actuator T4000-1KBR

### Connection diagram



Dimensional drawing



**Australia**

Phone +61 3 9457 0600  
1800 33 48 02 – tollfree  
E-Mail sales@sick.com.au

**Belgium/Luxembourg**

Phone +32 (0)2 466 55 66  
E-Mail info@sick.be

**Brasil**

Phone +55 11 3215-4900  
E-Mail marketing@sick.com.br

**Canada**

Phone +1 905 771 14 44  
E-Mail information@sick.com

**Česká republika**

Phone +420 2 57 91 18 50  
E-Mail sick@sick.cz

**China**

Phone +86 4000 121 000  
E-Mail info.china@sick.net.cn  
Phone +852-2153 6300  
E-Mail ghk@sick.com.hk

**Danmark**

Phone +45 45 82 64 00  
E-Mail sick@sick.dk

**Deutschland**

Phone +49 211 5301-301  
E-Mail info@sick.de

**España**

Phone +34 93 480 31 00  
E-Mail info@sick.es

**France**

Phone +33 1 64 62 35 00  
E-Mail info@sick.fr

**Great Britain**

Phone +44 (0)1727 831121  
E-Mail info@sick.co.uk

**India**

Phone +91-22-4033 8333  
E-Mail info@sick-india.com

**Israel**

Phone +972-4-6881000  
E-Mail info@sick-sensors.com

**Italia**

Phone +39 02 27 43 41  
E-Mail info@sick.it

**Japan**

Phone +81 (0)3 5309 2112  
E-Mail support@sick.jp

**Magyarország**

Phone +36 1 371 2680  
E-Mail office@sick.hu

**Nederland**

Phone +31 (0)30 229 25 44  
E-Mail info@sick.nl

**Norge**

Phone +47 67 81 50 00  
E-Mail sick@sick.no

**Österreich**

Phone +43 (0)22 36 62 28 8-0  
E-Mail office@sick.at

**Polska**

Phone +48 22 837 40 50  
E-Mail info@sick.pl

**România**

Phone +40 356 171 120  
E-Mail office@sick.ro

**Russia**

Phone +7-495-775-05-30  
E-Mail info@sick.ru

**Schweiz**

Phone +41 41 619 29 39  
E-Mail contact@sick.ch

**Singapore**

Phone +65 6744 3732  
E-Mail sales.gsg@sick.com

**Slovenija**

Phone +386 (0)1-47 69 990  
E-Mail office@sick.si

**South Africa**

Phone +27 11 472 3733  
E-Mail info@sickautomation.co.za

**South Korea**

Phone +82 2 786 6321/4  
E-Mail info@sickkorea.net

**Suomi**

Phone +358-9-25 15 800  
E-Mail sick@sick.fi

**Sverige**

Phone +46 10 110 10 00  
E-Mail info@sick.se

**Taiwan**

Phone +886 2 2375-6288  
E-Mail sales@sick.com.tw

**Türkiye**

Phone +90 (216) 528 50 00  
E-Mail info@sick.com.tr

**United Arab Emirates**

Phone +971 (0) 4 88 65 878  
E-Mail info@sick.ae

**USA/México**

Phone +1(952) 941-6780  
1 (800) 325-7425 – tollfree  
E-Mail info@sickusa.com

More representatives and agencies  
at [www.sick.com](http://www.sick.com)