



Photoelectric sensors  
V18V, Photoelectric proximity sensor, energetic

VTE18-4P4240V



**Model Name** > [VTE18-4P4240V](#)  
**Part No.** > [6035489](#)



*Illustration may differ*

**At a glance**

- IP 69K-rated cylindrical energetic photoelectric sensor in M18 stainless steel housing with sensing distances of 400 mm or 800 mm
- Resistant to all common cleaning agents and certified by independent institutes
- Extended temperature range: +85° C (long-term), +100°C / 15 min. (short-term)
- Touch (smart) teach-in adjustment
- All sensor materials, including the housing, LED and lens are resistant to chemicals
- IP 69K and IP 68 according to DIN 40050
- Laser-etched part numbers
- Ecolab & JohnsonDiversey certified for chemical resistance

**Your benefits**

- Simple, time-saving design ensures easy mounting, alignment and replacement
- IP 69K-rated stainless steel housing has a long service life that withstands hygienic and wash down environments, reducing maintenance time and costs
- Unique touch-teach feature and lock/ unlock functionality allow users to control who can change the sensor setting, which reduces the chances of disturbing a proven process and saves commissioning and maintenance time
- Laser-etched part numbers ensure the part numbers will not be washed off, saving maintenance time



**Features**

Sensor/detection principle:	Photoelectric proximity sensor, energetic
Housing design (light emission):	Cylindrical, straight, straight
Housing length:	83 mm
Thread diameter (housing):	M18 x 1
Optical axis:	axial
Sensing range max.:	0 mm ... 450 mm <sup>1)</sup>
Sensing range:	5 mm ... 400 mm
Type of light:	Infrared light
Light source:	LED <sup>2)</sup>
Light spot (distance):	60 mm (400 mm)
Wave length:	880 nm
Adjustment of operating distance:	Manual, via Touch-Teach-in
Angle of dispersion:	4.5 °

<sup>1)</sup> Object with 90 % reflectance (referred to standard white DIN 5033) <sup>2)</sup> Average service life of 100,000 h at T<sub>A</sub> = +25 °C

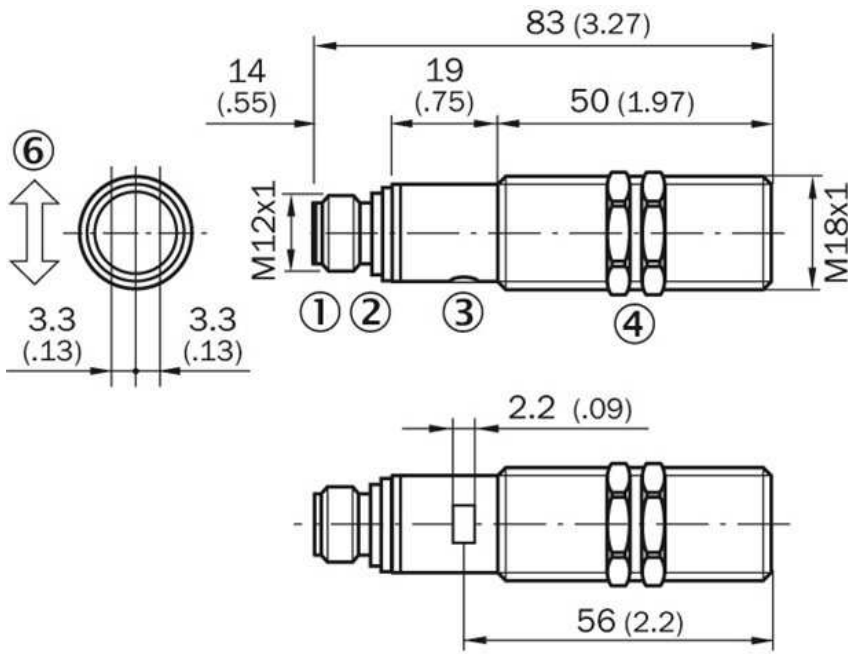
## Mechanics/electronics

---

Supply voltage:	10 V DC ... 30 V DC <sup>1)</sup>
Residual ripple:	≤ 10 % <sup>2)</sup>
Power consumption:	≤ 35 mA <sup>3)</sup>
Output type:	PNP, Light/dark-switching, Selectable via L/D control wire, open collector
Signal voltage PNP HIGH/LOW:	Approx. VS - 2.0 V/0 V
Output current I <sub>max</sub> :	≤ 100 mA <sup>4)</sup>
Response time:	≤ 1 ms <sup>4)</sup>
Switching frequency:	500 Hz <sup>5)</sup>
Electrical connection:	Connector M12, 4-pin <sup>6)</sup>
Cable material:	PPS (Griamid)
Circuit protection:::	A, B, C, D <sup>7) 8) 9) 10)</sup>
Protection class:	III
Weight:	120 g
Housing material:	Stainless steel V4A (1.4404, 316L)
Optics material:	Plan, PPS (Grilamid)
Enclosure rating:	IP 67 IP 68 <sup>11)</sup> IP 69K
Ambient temperature operation:	-25 °C ... 80 °C <sup>12)</sup>
Ambient storage temperature:	-40 °C ... 80 °C
UL File-No.:	FDA, UL No. NRKH.E181493 & cUL No. NRKH7.E181493

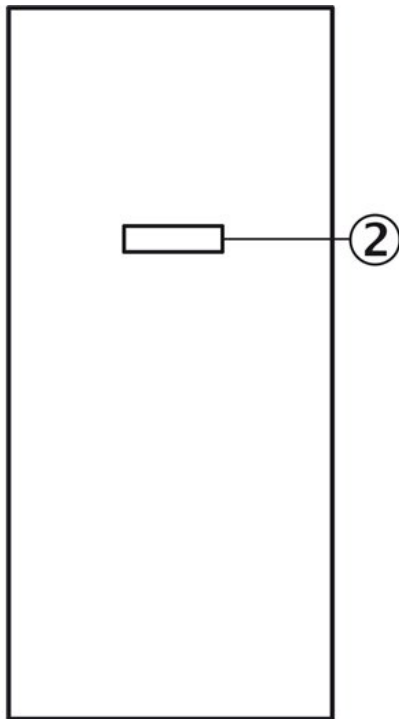
<sup>1)</sup> Limit values <sup>2)</sup> May not exceed or fall short of V<sub>S</sub> tolerances <sup>3)</sup> Without load, at VS 30 V DC <sup>4)</sup> Signal transit time with resistive load <sup>5)</sup> With light/dark ratio 1:1 <sup>6)</sup> With gold plated contact pins, PPS with FDA certificate <sup>7)</sup> A = V<sub>S</sub> connections reverse-polarity protected <sup>8)</sup> B = interference suppression <sup>9)</sup> D = outputs overcurrent and short-circuit protected <sup>10)</sup> D = inputs and output reverse-polarity protected <sup>11)</sup> With correct mounted IP 69K connector <sup>12)</sup> +100 °C at max 15 minutes

**Dimensional drawing**

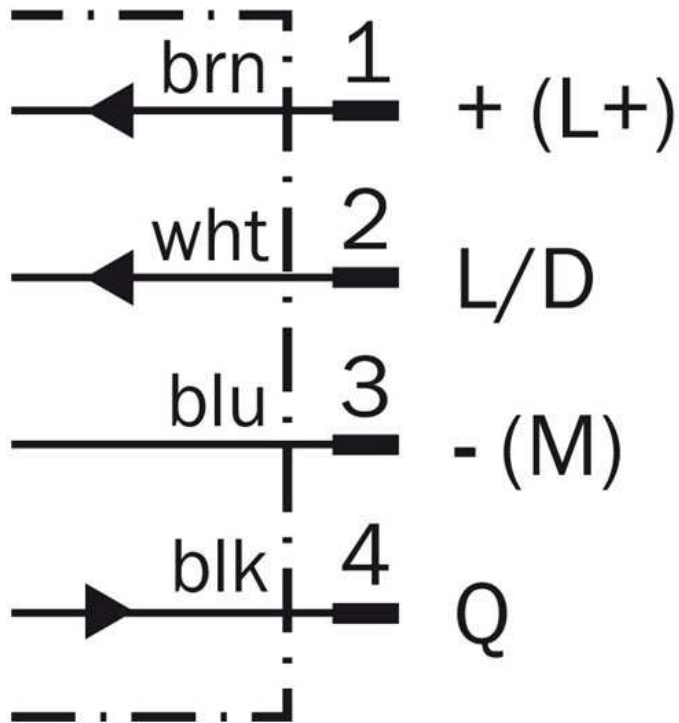


- |1| Connector M12, 4-pin
- |2| Sensing range adjustment: Touch-Teach-In
- |3| Status indicator LED, green: signaling Touch-Teach-in
- |4| Yellow LED indicator:- lights  
continuously:reception signal> reserve factor 2- b  
links: Reception signal< reserve factor 2 but > switching
- |5| fastening nuts (2 x); width across 24, stainless steel

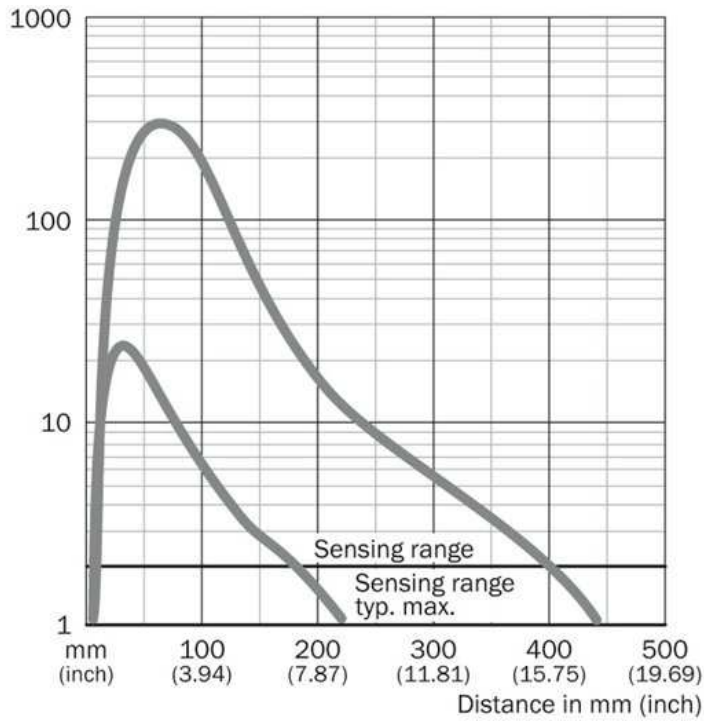
**Adjustments possible**



Connection diagram



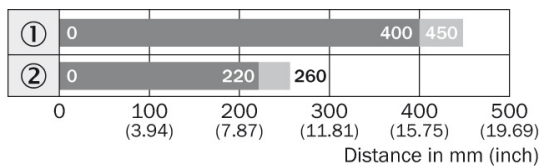
Characteristic curve



## Connection type



## Sensing range diagram



■ Sensing range      ■ Sensing range typ. max.

① Sensing range on white, 90 % remission

② Sensing range on gray, 18 % remission

**Australia**

Phone +61 3 9457 0600  
1800 33 48 02 – tollfree  
E-Mail sales@sick.com.au

**Belgium/Luxembourg**

Phone +32 (0)2 466 55 66  
E-Mail info@sick.be

**Brasil**

Phone +55 11 3215-4900  
E-Mail marketing@sick.com.br

**Canada**

Phone +1 905 771 14 44  
E-Mail information@sick.com

**Česká republika**

Phone +420 2 57 91 18 50  
E-Mail sick@sick.cz

**China**

Phone +86 4000 121 000  
E-Mail info.china@sick.net.cn  
Phone +852-2153 6300  
E-Mail ghk@sick.com.hk

**Danmark**

Phone +45 45 82 64 00  
E-Mail sick@sick.dk

**Deutschland**

Phone +49 211 5301-301  
E-Mail info@sick.de

**España**

Phone +34 93 480 31 00  
E-Mail info@sick.es

**France**

Phone +33 1 64 62 35 00  
E-Mail info@sick.fr

**Great Britain**

Phone +44 (0)1727 831121  
E-Mail info@sick.co.uk

**India**

Phone +91-22-4033 8333  
E-Mail info@sick-india.com

**Israel**

Phone +972-4-6881000  
E-Mail info@sick-sensors.com

**Italia**

Phone +39 02 27 43 41  
E-Mail info@sick.it

**Japan**

Phone +81 (0)3 5309 2112  
E-Mail support@sick.jp

**Magyarország**

Phone +36 1 371 2680  
E-Mail office@sick.hu

**Nederland**

Phone +31 (0)30 229 25 44  
E-Mail info@sick.nl

**Norge**

Phone +47 67 81 50 00  
E-Mail sick@sick.no

**Österreich**

Phone +43 (0)22 36 62 28 8-0  
E-Mail office@sick.at

**Polska**

Phone +48 22 837 40 50  
E-Mail info@sick.pl

**România**

Phone +40 356 171 120  
E-Mail office@sick.ro

**Russia**

Phone +7-495-775-05-30  
E-Mail info@sick.ru

**Schweiz**

Phone +41 41 619 29 39  
E-Mail contact@sick.ch

**Singapore**

Phone +65 6744 3732  
E-Mail sales.gsg@sick.com

**Slovenija**

Phone +386 (0)1-47 69 990  
E-Mail office@sick.si

**South Africa**

Phone +27 11 472 3733  
E-Mail info@sickautomation.co.za

**South Korea**

Phone +82 2 786 6321/4  
E-Mail info@sickkorea.net

**Suomi**

Phone +358-9-25 15 800  
E-Mail sick@sick.fi

**Sverige**

Phone +46 10 110 10 00  
E-Mail info@sick.se

**Taiwan**

Phone +886 2 2375-6288  
E-Mail sales@sick.com.tw

**Türkiye**

Phone +90 (216) 528 50 00  
E-Mail info@sick.com.tr

**United Arab Emirates**

Phone +971 (0) 4 88 65 878  
E-Mail info@sick.ae

**USA/México**

Phone +1(952) 941-6780  
1 (800) 325-7425 – tollfree  
E-Mail info@sickusa.com

More representatives and agencies  
at [www.sick.com](http://www.sick.com)