



Level sensors  
Vibrating level switch, LFV200

LFV200-XXHRLTPM



**Model Name** > **LFB200-XXHRLTPM**  
**Part No.** > **6036535**



*Illustration may differ*

**At a glance**

- Housing made of 316L stainless steel
- Two electrical output versions available
- Commissioning without filling
- Process temperature up to 150 °C
- Immune to deposit formation
- Very high repeatability
- Aseptic versions according to EHEDG and FDA available, CIP and SIP resistant

**Your benefits**

- Easy installation and commissioning, no calibration necessary
- Easy operation and integration, saves time
- Maintenance-free sensor, reduces downtime
- Testing in place possible - no mounting required, which reduces installation time
- Flexible and robust system for a multitude of applications
- Universal technology works in all kinds of liquids



**Features**

Medium:	Fluids
Measurement:	Switch
Probe length:	38 mm
Process pressure:	-1 bar ... 64 bar
Process temperature:	-40 °C ... +150 °C
Silicon free:	-
EHEDG approval:	✓
Fill material density:	≥ 0.7 g/cm <sup>3</sup>

**Performance**

Resolution:	≤ 1 mm
Accuracy of sensor element:	± 2 mm
Repeatability:	≤ 1 mm
Viscosity:	0.1 mPas ... 10,000 mPas
Response time:	500 ms

**Mechanical data**

Housing material:	Stainless steel 1.4404, PEI
-------------------	-----------------------------

Process connection: Conical coupling DN 25 acc. to DIN 11851 with union nut (PN 40, 316L, Ra < 0.8µm)  
Wetted parts: 316L (optional Ra < 0.8 µm)

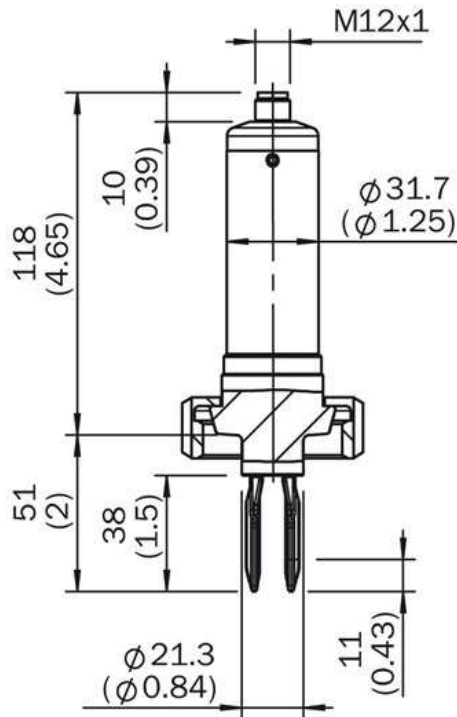
### Electrical data

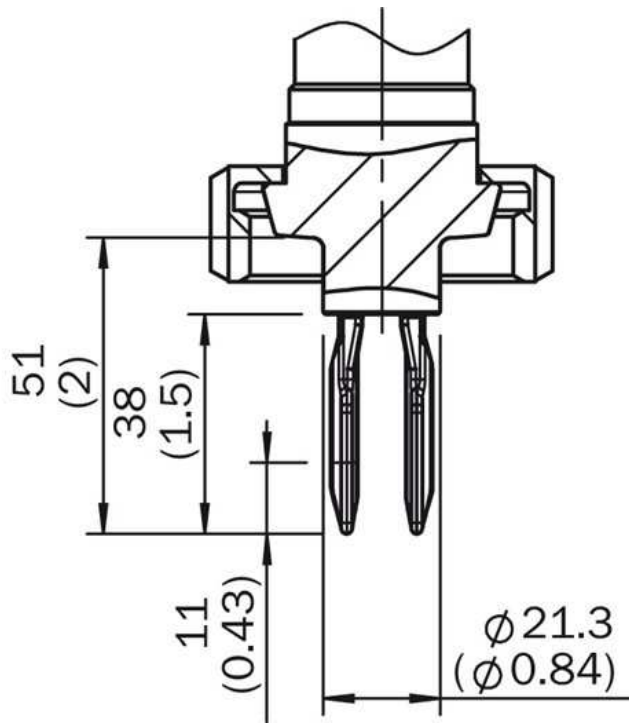
Temperature drift: 0,03 mm/K  
Enclosure rating: IP 67  
Supply voltage: 10 V DC ... 55 V DC  
Residual ripple: ≤ 5 Vpp  
Power consumption: < 10 mA  
VDE protection class 2: ✓  
Initialization time: < 2 s  
Hysteresis: 2 mm  
Output current: < 250 mA  
Signal voltage HIGH: Vs - < 3 V  
Signal voltage LOW: 0 V +- 1 V  
Capacitive load: 100 nF  
Inductive load: ≤ 1 H  
Electrical connection: Round connector M12 x 1, 4-pin

### Ambient data

Ambient temperature operation: -40 °C ... +70 °C  
Ambient storage temperature: -40 °C ... +80 °C

### Dimensional drawing





**Australia**

Phone +61 3 9457 0600  
1800 33 48 02 – tollfree  
E-Mail sales@sick.com.au

**Belgium/Luxembourg**

Phone +32 (0)2 466 55 66  
E-Mail info@sick.be

**Brasil**

Phone +55 11 3215-4900  
E-Mail marketing@sick.com.br

**Canada**

Phone +1 905 771 14 44  
E-Mail information@sick.com

**Česká republika**

Phone +420 2 57 91 18 50  
E-Mail sick@sick.cz

**China**

Phone +86 4000 121 000  
E-Mail info.china@sick.net.cn  
Phone +852-2153 6300  
E-Mail ghk@sick.com.hk

**Danmark**

Phone +45 45 82 64 00  
E-Mail sick@sick.dk

**Deutschland**

Phone +49 211 5301-301  
E-Mail info@sick.de

**España**

Phone +34 93 480 31 00  
E-Mail info@sick.es

**France**

Phone +33 1 64 62 35 00  
E-Mail info@sick.fr

**Great Britain**

Phone +44 (0)1727 831121  
E-Mail info@sick.co.uk

**India**

Phone +91-22-4033 8333  
E-Mail info@sick-india.com

**Israel**

Phone +972-4-6881000  
E-Mail info@sick-sensors.com

**Italia**

Phone +39 02 27 43 41  
E-Mail info@sick.it

**Japan**

Phone +81 (0)3 5309 2112  
E-Mail support@sick.jp

**Magyarország**

Phone +36 1 371 2680  
E-Mail office@sick.hu

**Nederland**

Phone +31 (0)30 229 25 44  
E-Mail info@sick.nl

**Norge**

Phone +47 67 81 50 00  
E-Mail sick@sick.no

**Österreich**

Phone +43 (0)22 36 62 28 8-0  
E-Mail office@sick.at

**Polska**

Phone +48 22 837 40 50  
E-Mail info@sick.pl

**România**

Phone +40 356 171 120  
E-Mail office@sick.ro

**Russia**

Phone +7-495-775-05-30  
E-Mail info@sick.ru

**Schweiz**

Phone +41 41 619 29 39  
E-Mail contact@sick.ch

**Singapore**

Phone +65 6744 3732  
E-Mail sales.gsg@sick.com

**Slovenija**

Phone +386 (0)1-47 69 990  
E-Mail office@sick.si

**South Africa**

Phone +27 11 472 3733  
E-Mail info@sickautomation.co.za

**South Korea**

Phone +82 2 786 6321/4  
E-Mail info@sickkorea.net

**Suomi**

Phone +358-9-25 15 800  
E-Mail sick@sick.fi

**Sverige**

Phone +46 10 110 10 00  
E-Mail info@sick.se

**Taiwan**

Phone +886 2 2375-6288  
E-Mail sales@sick.com.tw

**Türkiye**

Phone +90 (216) 528 50 00  
E-Mail info@sick.com.tr

**United Arab Emirates**

Phone +971 (0) 4 88 65 878  
E-Mail info@sick.ae

**USA/México**

Phone +1(952) 941-6780  
1 (800) 325-7425 – tollfree  
E-Mail info@sickusa.com

More representatives and agencies  
at [www.sick.com](http://www.sick.com)