



Level sensors
Vibrating level switch, LFV200

LFV200-XAHRNTPM



Model Name > LFB200-XAHRNTPM
Part No. > 6036542



Illustration may differ

At a glance

- Housing made of 316L stainless steel
- Two electrical output versions available
- Commissioning without filling
- Process temperature up to 150 °C
- Immune to deposit formation
- Very high repeatability
- Aseptic versions according to EHEDG and FDA available, CIP and SIP resistant

Your benefits

- Easy installation and commissioning, no calibration necessary
- Easy operation and integration, saves time
- Maintenance-free sensor, reduces downtime
- Testing in place possible - no mounting required, which reduces installation time
- Flexible and robust system for a multitude of applications
- Universal technology works in all kinds of liquids



Features

| | |
|------------------------|-------------------------|
| Medium: | Fluids |
| Measurement: | Switch |
| Probe length: | 38 mm |
| Process pressure: | -1 bar ... 64 bar |
| Process temperature: | -40 °C ... +150 °C |
| Silicon free: | - |
| Authorizations: | WHG approval |
| WHG approval: | ✓ |
| EHEDG approval: | ✓ |
| Fill material density: | ≥ 0.7 g/cm ³ |

Performance

| | |
|-----------------------------|--------------------------|
| Resolution: | ≤ 1 mm |
| Accuracy of sensor element: | ± 2 mm |
| Repeatability: | ≤ 1 mm |
| Viscosity: | 0.1 mPas ... 10,000 mPas |
| Response time: | 500 ms |

Mechanical data

| | |
|---------------------|--|
| Housing material: | Stainless steel 1.4404, PEI |
| Process connection: | Conical coupling DN 50 acc. to DIN 11851 with union nut (PN 40, 316L, Ra < 0.8 μm) |
| Wetted parts: | 316L (optional Ra < 0.8 μm) |

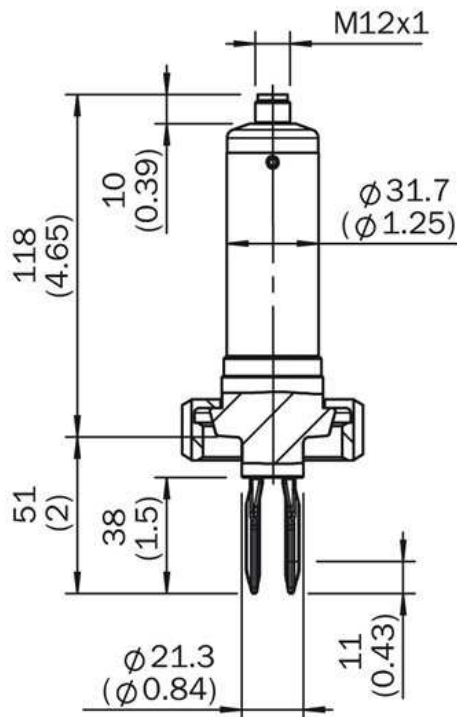
Electrical data

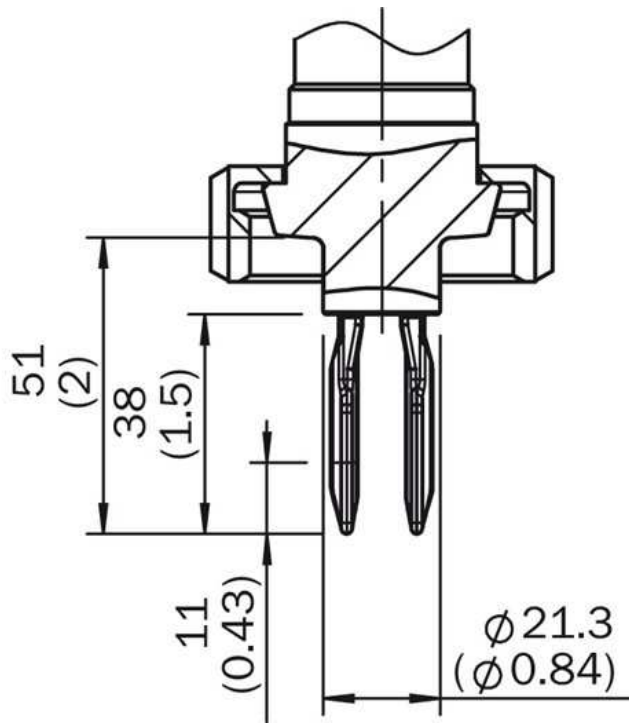
| | |
|-------------------------|--------------------------------|
| Temperature drift: | 0,03 mm/K |
| Enclosure rating: | IP 67 |
| Supply voltage: | 10 V DC ... 55 V DC |
| Residual ripple: | ≤ 5 Vpp |
| Power consumption: | < 10 mA |
| VDE protection class 2: | ✓ |
| Initialization time: | < 2 s |
| Hysteresis: | 2 mm |
| Output current: | < 250 mA |
| Signal voltage HIGH: | Vs - < 3 V |
| Signal voltage LOW: | 0 V +/- 1 V |
| Capacitive load: | 100 nF |
| Inductive load: | ≤ 1 H |
| Electrical connection: | Round connector M12 x 1, 4-pin |

Ambient data

| | |
|--------------------------------|-------------------|
| Ambient temperature operation: | -40 °C ... +70 °C |
| Ambient storage temperature: | -40 °C ... +80 °C |

Dimensional drawing





Australia

Phone +61 3 9457 0600
1800 33 48 02 – tollfree
E-Mail sales@sick.com.au

Belgium/Luxembourg

Phone +32 (0)2 466 55 66
E-Mail info@sick.be

Brasil

Phone +55 11 3215-4900
E-Mail marketing@sick.com.br

Canada

Phone +1 905 771 14 44
E-Mail information@sick.com

Česká republika

Phone +420 2 57 91 18 50
E-Mail sick@sick.cz

China

Phone +86 4000 121 000
E-Mail info.china@sick.net.cn
Phone +852-2153 6300
E-Mail ghk@sick.com.hk

Danmark

Phone +45 45 82 64 00
E-Mail sick@sick.dk

Deutschland

Phone +49 211 5301-301
E-Mail info@sick.de

España

Phone +34 93 480 31 00
E-Mail info@sick.es

France

Phone +33 1 64 62 35 00
E-Mail info@sick.fr

Great Britain

Phone +44 (0)1727 831121
E-Mail info@sick.co.uk

India

Phone +91-22-4033 8333
E-Mail info@sick-india.com

Israel

Phone +972-4-6881000
E-Mail info@sick-sensors.com

Italia

Phone +39 02 27 43 41
E-Mail info@sick.it

Japan

Phone +81 (0)3 5309 2112
E-Mail support@sick.jp

Magyarország

Phone +36 1 371 2680
E-Mail office@sick.hu

Nederland

Phone +31 (0)30 229 25 44
E-Mail info@sick.nl

Norge

Phone +47 67 81 50 00
E-Mail sick@sick.no

Österreich

Phone +43 (0)22 36 62 28 8-0
E-Mail office@sick.at

Polska

Phone +48 22 837 40 50
E-Mail info@sick.pl

România

Phone +40 356 171 120
E-Mail office@sick.ro

Russia

Phone +7-495-775-05-30
E-Mail info@sick.ru

Schweiz

Phone +41 41 619 29 39
E-Mail contact@sick.ch

Singapore

Phone +65 6744 3732
E-Mail sales.gsg@sick.com

Slovenija

Phone +386 (0)1-47 69 990
E-Mail office@sick.si

South Africa

Phone +27 11 472 3733
E-Mail info@sickautomation.co.za

South Korea

Phone +82 2 786 6321/4
E-Mail info@sickkorea.net

Suomi

Phone +358-9-25 15 800
E-Mail sick@sick.fi

Sverige

Phone +46 10 110 10 00
E-Mail info@sick.se

Taiwan

Phone +886 2 2375-6288
E-Mail sales@sick.com.tw

Türkiye

Phone +90 (216) 528 50 00
E-Mail info@sick.com.tr

United Arab Emirates

Phone +971 (0) 4 88 65 878
E-Mail info@sick.ae

USA/México

Phone +1(952) 941-6780
1 (800) 325-7425 – tollfree
E-Mail info@sickusa.com

More representatives and agencies
at www.sick.com