



Level sensors
Vibrating level switch, LFV200

LFV200-XXHRLCPV



Model Name > [LFB200-XXHRLCPV](#)
Part No. > [6036545](#)



Illustration may differ

At a glance

- Housing made of 316L stainless steel
- Two electrical output versions available
- Commissioning without filling
- Process temperature up to 150 °C
- Immune to deposit formation
- Very high repeatability
- Aseptic versions according to EHEDG and FDA available, CIP and SIP resistant

Your benefits

- Easy installation and commissioning, no calibration necessary
- Easy operation and integration, saves time
- Maintenance-free sensor, reduces downtime
- Testing in place possible - no mounting required, which reduces installation time
- Flexible and robust system for a multitude of applications
- Universal technology works in all kinds of liquids



Features

Medium:	Fluids
Measurement:	Switch
Probe length:	38 mm
Process pressure:	-1 bar ... 64 bar
Process temperature:	-40 °C ... +150 °C
Silicon free:	-
EHEDG approval:	✓
Fill material density:	≥ 0.7 g/cm ³

Performance

Resolution:	≤ 1 mm
Accuracy of sensor element:	± 2 mm
Repeatability:	≤ 1 mm
Viscosity:	0.1 mPas ... 10,000 mPas
Response time:	500 ms

Mechanical data

Housing material:	Stainless steel 1.4404, PEI
-------------------	-----------------------------

Process connection: Conical coupling DN 25 acc. to DIN 11851 with union nut (PN 40, 316L, Ra < 0.8µm)
Wetted parts: 316L (optional Ra < 0.8 µm)

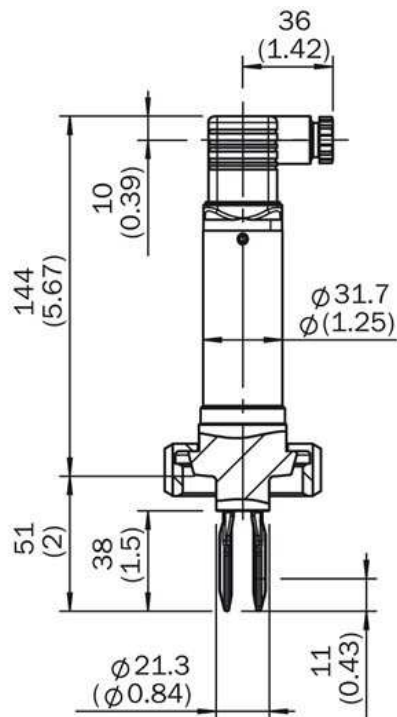
Electrical data

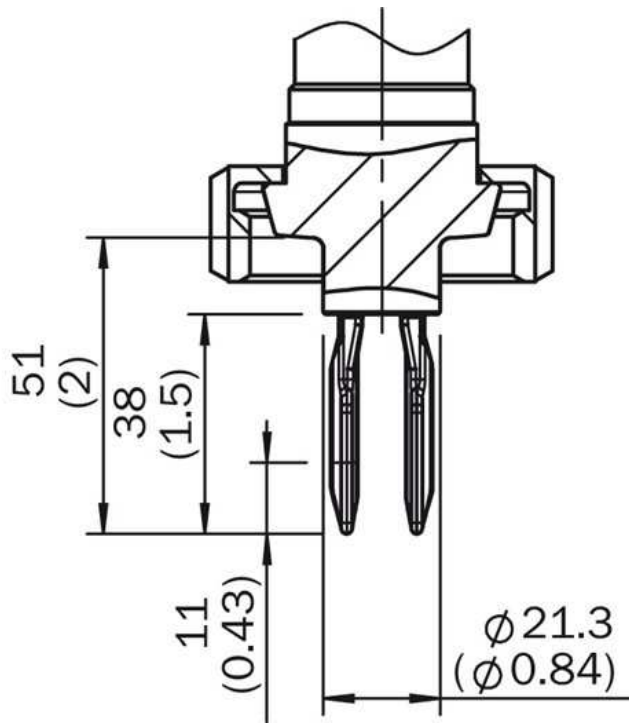
Temperature drift: 0,03 mm/K
Enclosure rating: IP 65
Supply voltage: 20 V AC/DC ... 253 V AC/DC
Power consumption: ≤ 4.2 mA
VDE protection class 1: ✓
Initialization time: < 3 s
Hysteresis: 2 mm
Output current: < 250 mA
Capacitive load: 100 nF
Inductive load: ≤ 1 H
Electrical connection: Valve plug DIN 43650

Ambient data

Ambient temperature operation: -40 °C ... +70 °C
Ambient storage temperature: -40 °C ... +80 °C

Dimensional drawing





Australia

Phone +61 3 9457 0600
1800 33 48 02 – tollfree
E-Mail sales@sick.com.au

Belgium/Luxembourg

Phone +32 (0)2 466 55 66
E-Mail info@sick.be

Brasil

Phone +55 11 3215-4900
E-Mail marketing@sick.com.br

Canada

Phone +1 905 771 14 44
E-Mail information@sick.com

Česká republika

Phone +420 2 57 91 18 50
E-Mail sick@sick.cz

China

Phone +86 4000 121 000
E-Mail info.china@sick.net.cn
Phone +852-2153 6300
E-Mail ghk@sick.com.hk

Danmark

Phone +45 45 82 64 00
E-Mail sick@sick.dk

Deutschland

Phone +49 211 5301-301
E-Mail info@sick.de

España

Phone +34 93 480 31 00
E-Mail info@sick.es

France

Phone +33 1 64 62 35 00
E-Mail info@sick.fr

Great Britain

Phone +44 (0)1727 831121
E-Mail info@sick.co.uk

India

Phone +91-22-4033 8333
E-Mail info@sick-india.com

Israel

Phone +972-4-6881000
E-Mail info@sick-sensors.com

Italia

Phone +39 02 27 43 41
E-Mail info@sick.it

Japan

Phone +81 (0)3 5309 2112
E-Mail support@sick.jp

Magyarország

Phone +36 1 371 2680
E-Mail office@sick.hu

Nederland

Phone +31 (0)30 229 25 44
E-Mail info@sick.nl

Norge

Phone +47 67 81 50 00
E-Mail sick@sick.no

Österreich

Phone +43 (0)22 36 62 28 8-0
E-Mail office@sick.at

Polska

Phone +48 22 837 40 50
E-Mail info@sick.pl

România

Phone +40 356 171 120
E-Mail office@sick.ro

Russia

Phone +7-495-775-05-30
E-Mail info@sick.ru

Schweiz

Phone +41 41 619 29 39
E-Mail contact@sick.ch

Singapore

Phone +65 6744 3732
E-Mail sales.gsg@sick.com

Slovenija

Phone +386 (0)1-47 69 990
E-Mail office@sick.si

South Africa

Phone +27 11 472 3733
E-Mail info@sickautomation.co.za

South Korea

Phone +82 2 786 6321/4
E-Mail info@sickkorea.net

Suomi

Phone +358-9-25 15 800
E-Mail sick@sick.fi

Sverige

Phone +46 10 110 10 00
E-Mail info@sick.se

Taiwan

Phone +886 2 2375-6288
E-Mail sales@sick.com.tw

Türkiye

Phone +90 (216) 528 50 00
E-Mail info@sick.com.tr

United Arab Emirates

Phone +971 (0) 4 88 65 878
E-Mail info@sick.ae

USA/México

Phone +1(952) 941-6780
1 (800) 325-7425 – tollfree
E-Mail info@sickusa.com

More representatives and agencies
at www.sick.com