



## Short range distance sensors (displacement) OD Value

OD2-P30W04C2



**Model Name** > OD2-P30W04C2  
**Part No.** > 6036578



**At a glance**

- Several measurement ranges from 26 mm ... 34 mm to 100 mm ... 500 mm
- CMOS receiving element for measurement independent of surface
- Easy, LED-based user and teach-in concept
- Wide range of models and a wide range of standard interfaces
- Laser technology for precise measurement of very small objects
- Compact stand-alone device
- Excellent price-performance ratio

**Your benefits**

- Reliable measurement independent of surface, minimizes machine downtime
- Extremely simple sensor teach-in makes setup faster and more costeffective
- Minimal space requirements and less wiring due to its compact, standalone design
- Many measurement ranges and output interfaces make it ideal for cost-effective integration into any production environment
- Low investment costs make consistent, regular quality inspection possible
- Non-contact measurement technology from a safe distance allows the inspection to be carried out directly during the production process
- Wear and damage-free inspection, due to non-contact measurement



**Performance**

Measuring range:	26 mm ... 34 mm, 6 % ... 90 % remission
Resolution <sup>1)</sup> :	2 µm
Repeatability <sup>2), 3), 4), 5)</sup> :	6 µm
Linearity <sup>6), 7), 8), 9)</sup> :	± 8 µm
Response time <sup>10)</sup> :	1 ms/10 ms/35 ms
Measuring frequency:	2 kHz
Light source:	Laser, red
Typ. light spot size (distance):	0.1 mm x 0.1 mm (30 mm)
Additional function:	Automatic sensitivity adjustment, Teach-in of switching output, Invertable switching output, Averaging 1 ... 64x, Multifunctional input: laser-off/external teach-in/trigger, Switching mode: distance to object (DtO), Switching mode: window (Wnd)
Laser class:	2 (EN 60825-1) <sup>11)</sup>

<sup>1) 3) 6)</sup> At averaging function medium    <sup>2)</sup> 6 % ... 90 % remission    <sup>4)</sup> Constant ambient conditions    <sup>5) 8)</sup> For best performance consider warm up time ≤ 5 minutes    <sup>7)</sup> Measurement on 90 % remission (ceramic, white)    <sup>9)</sup> When calibrated in the application regularly    <sup>10)</sup> Automatic sensitivity adjustment ≤ 4 ms, 6 ms for the models with

measuring range of 100 mm ... 400 mm <sup>11)</sup> Wavelength: 655 nm, max. output: 1 mW

## Interfaces

---

Output type <sup>1)</sup>: 2 x PNP (100 mA)  
Multifunctional input (MF) <sup>2)</sup>: 1 x MF

<sup>1)</sup> PNP: HIGH =  $V_S$  - (< 2 V)/LOW = < 2 V; NPN: HIGH = < 2 V/LOW =  $V_S$  <sup>2)</sup> MF can be used as laser-off, trigger, external teach-in or deactivated; response time  $\leq 3$  ms

## Mechanics/electronics

---

Electrical connection: Cable, 2 m  
Supply voltage  $V_S$  <sup>1)</sup>: DC 12 V ... 24 V  
Power consumption <sup>2)</sup>:  $\leq 2.88$  W  
Warm-up time:  $\leq 5$  min  
Indication: Distance bar graph, up to 8 status LEDs  
Weight: 70 g  
Housing material: PBT housing with PMMA lens

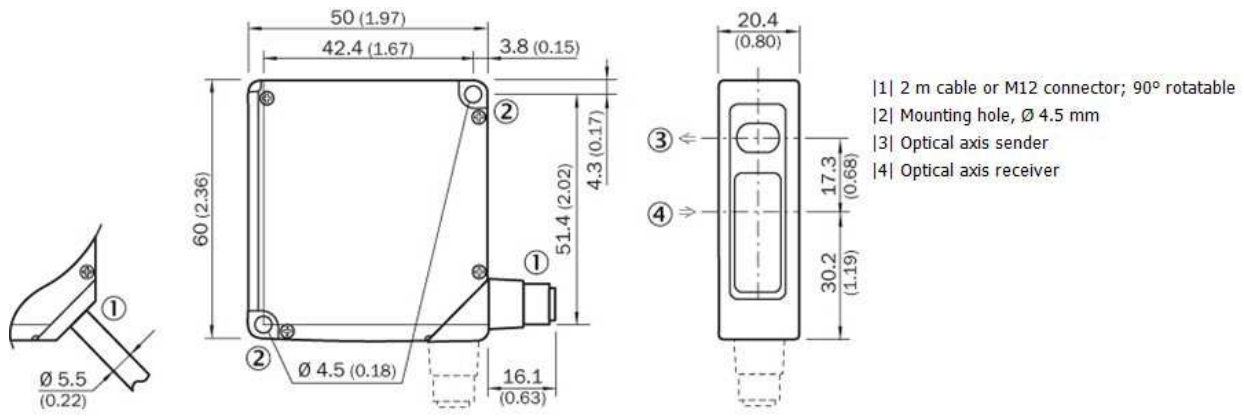
<sup>1)</sup> DC 12 V (-5 %) ... 24 V (+10 %); DC 18 V (-5 %) ... DC 24 V (+10 %) when using analog voltage output <sup>2)</sup> Without load, with current output

## Ambient data

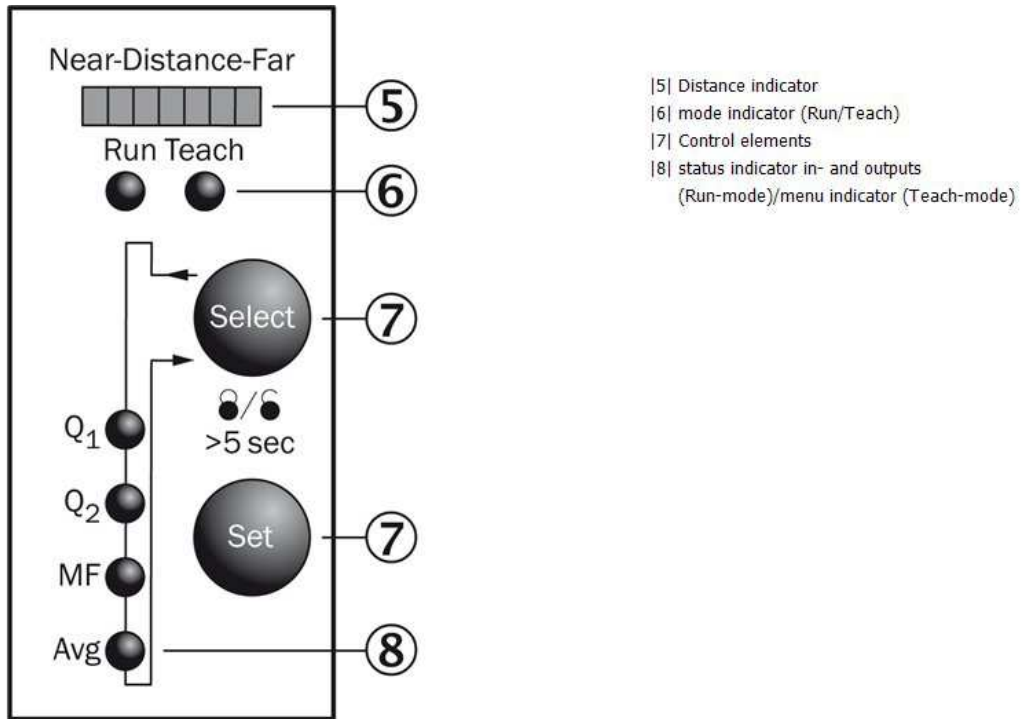
---

Enclosure rating: IP 67  
Protection class: III  
Ambient temperature: Operation: -10 ... +40 °C, Storage: -20 ... +60 °C  
Temperature drift:  $\pm 0.08$  % FS/K (FS = Full Scale = Measuring range of sensor)  
Typ. ambient light safety: Artificial light:  $\leq 3,000$  lx  
Sunlight:  $\leq 10,000$  lx  
Vibration resistance: 10 Hz ... 55 Hz (amplitude 1.5 mm, x-, y-, z-axis 2 hours each)  
Shock resistance: 50 G (x-, y-, z-axis 3 times each)  
Relative humidity (not condensing): 35 % ... 95 %

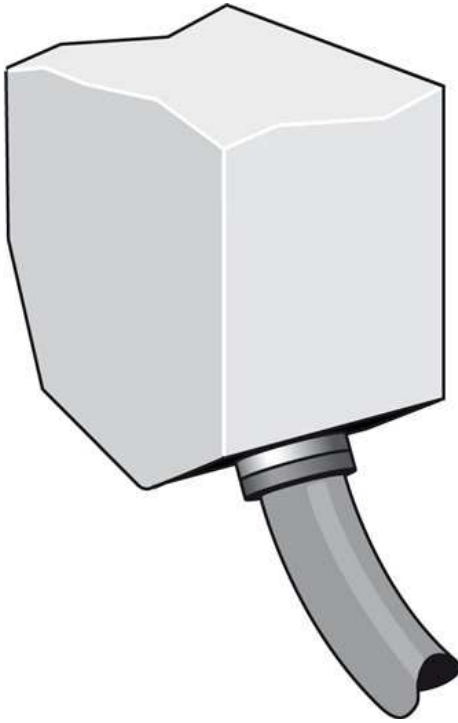
**Dimensional drawing**



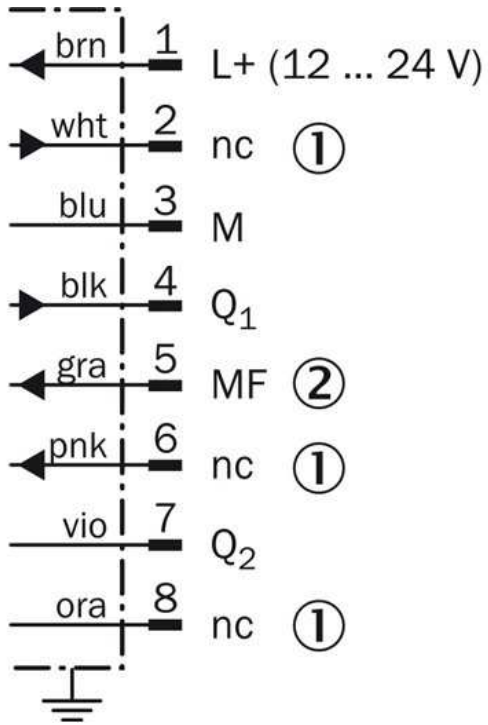
**Adjustment possible**



## Connection type

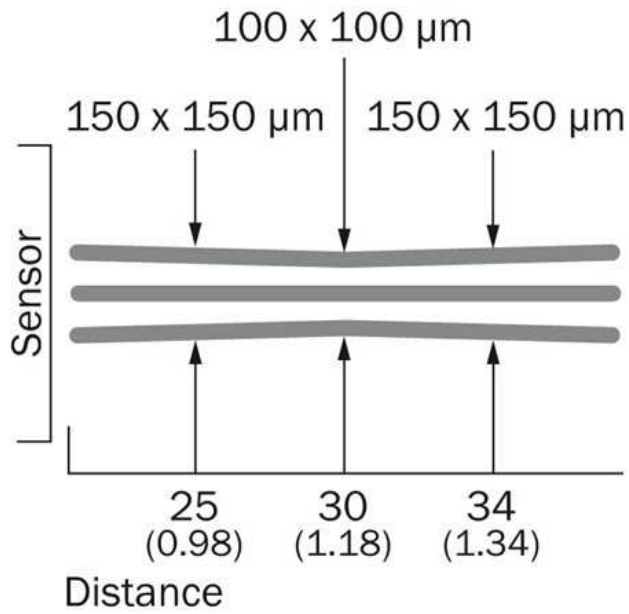


## Connection diagram



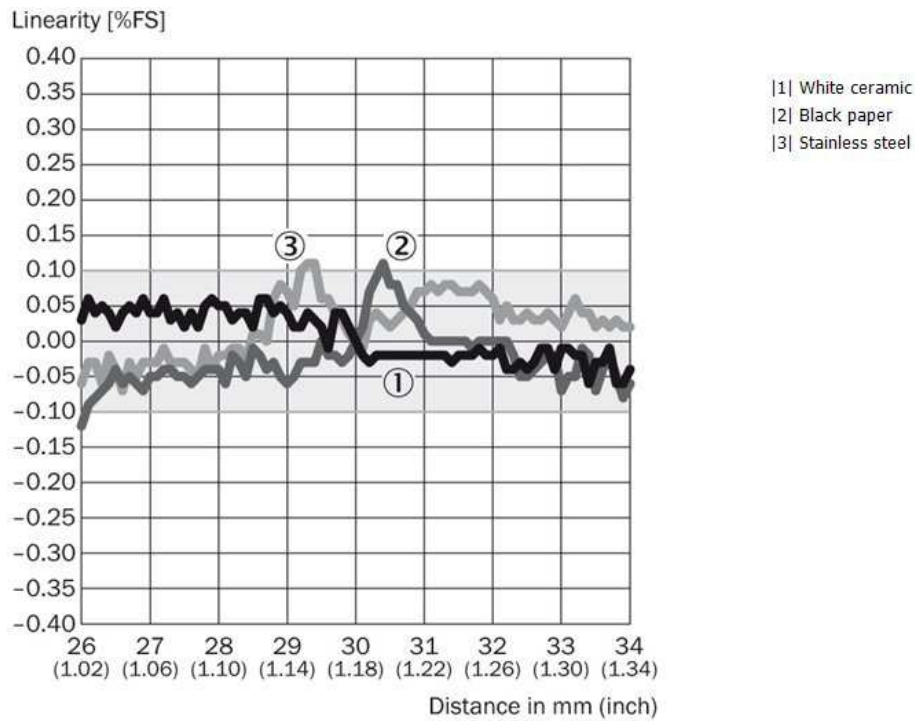
|1| not connected  
|2| Multifunctional input (MF)

## Light spot size



All dimensions in mm (inch)

## Linearity



**Australia**

Phone +61 3 9457 0600  
1800 33 48 02 – tollfree  
E-Mail sales@sick.com.au

**Belgium/Luxembourg**

Phone +32 (0)2 466 55 66  
E-Mail info@sick.be

**Brasil**

Phone +55 11 3215-4900  
E-Mail marketing@sick.com.br

**Canada**

Phone +1 905 771 14 44  
E-Mail information@sick.com

**Česká republika**

Phone +420 2 57 91 18 50  
E-Mail sick@sick.cz

**China**

Phone +86 4000 121 000  
E-Mail info.china@sick.net.cn  
Phone +852-2153 6300  
E-Mail ghk@sick.com.hk

**Danmark**

Phone +45 45 82 64 00  
E-Mail sick@sick.dk

**Deutschland**

Phone +49 211 5301-301  
E-Mail info@sick.de

**España**

Phone +34 93 480 31 00  
E-Mail info@sick.es

**France**

Phone +33 1 64 62 35 00  
E-Mail info@sick.fr

**Great Britain**

Phone +44 (0)1727 831121  
E-Mail info@sick.co.uk

**India**

Phone +91-22-4033 8333  
E-Mail info@sick-india.com

**Israel**

Phone +972-4-6881000  
E-Mail info@sick-sensors.com

**Italia**

Phone +39 02 27 43 41  
E-Mail info@sick.it

**Japan**

Phone +81 (0)3 5309 2112  
E-Mail support@sick.jp

**Magyarország**

Phone +36 1 371 2680  
E-Mail office@sick.hu

**Nederland**

Phone +31 (0)30 229 25 44  
E-Mail info@sick.nl

**Norge**

Phone +47 67 81 50 00  
E-Mail sick@sick.no

**Österreich**

Phone +43 (0)22 36 62 28 8-0  
E-Mail office@sick.at

**Polska**

Phone +48 22 837 40 50  
E-Mail info@sick.pl

**România**

Phone +40 356 171 120  
E-Mail office@sick.ro

**Russia**

Phone +7-495-775-05-30  
E-Mail info@sick.ru

**Schweiz**

Phone +41 41 619 29 39  
E-Mail contact@sick.ch

**Singapore**

Phone +65 6744 3732  
E-Mail sales.gsg@sick.com

**Slovenija**

Phone +386 (0)1-47 69 990  
E-Mail office@sick.si

**South Africa**

Phone +27 11 472 3733  
E-Mail info@sickautomation.co.za

**South Korea**

Phone +82 2 786 6321/4  
E-Mail info@sickkorea.net

**Suomi**

Phone +358-9-25 15 800  
E-Mail sick@sick.fi

**Sverige**

Phone +46 10 110 10 00  
E-Mail info@sick.se

**Taiwan**

Phone +886 2 2375-6288  
E-Mail sales@sick.com.tw

**Türkiye**

Phone +90 (216) 528 50 00  
E-Mail info@sick.com.tr

**United Arab Emirates**

Phone +971 (0) 4 88 65 878  
E-Mail info@sick.ae

**USA/México**

Phone +1(952) 941-6780  
1 (800) 325-7425 – tollfree  
E-Mail info@sickusa.com

More representatives and agencies  
at [www.sick.com](http://www.sick.com)