



Level sensors
Vibrating level switch, Lfv310

LFV310-XXGBVXMCX



Model Name > LFB310-XXGBVXMCX
Part No. > 6037989



Product may differ from illustration

At a glance

- Several housing materials and electrical outputs available
- Commissioning without filling
- Process temperature up to 250 °C
- Immune to deposit formation
- Very high repeatability
- Aseptic versions according to EHEDG and FDA available, CIP and SIP resistant
- ATEX and marine certifications available

Your benefits

- Easy installation and commissioning, no calibration necessary
- Easy operation and integration, saves time
- Maintenance-free sensor, reduces downtime
- Testing in place possible - no mounting required, which reduces installation time
- Flexible and tough system for a multitude of applications
- Universal technology works in all kinds of liquids



Features

Medium:	Fluids
Measurement:	Switch
Probe length:	66 mm
Process pressure:	-1 bar ... 64 bar
Process temperature:	-50 °C ... 150 °C
WHG approval:	-
ATEX certification:	-
Fill material density:	0.5 ... 2.5

Performance

Accuracy of sensor element:	± 2 mm
Repeatability:	1
Viscosity:	0.1 mPas ... 10,000 mPas
Response time:	500 ms

Mechanical data

Housing material:	Aluminum
Process connection:	G ¾ A PN 64/316L
Wetted parts:	Stainless steel 316L (optional Ra ≤ 0.8 µm)

Sensor material:

Stainless steel 1.4404

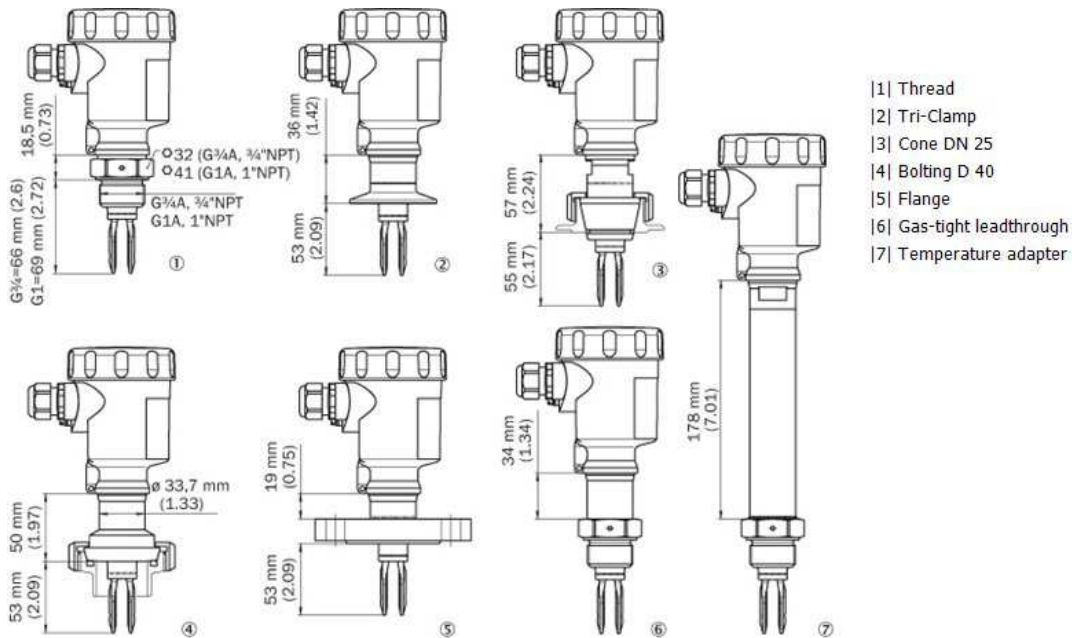
Electrical data

Temperature drift:	0,03 mm/K
Enclosure rating:	IP 66
Power consumption:	< 4.2 mA
Protection class:	0, 1
Initialization time:	3
Output signal:	Contactless electronic switch: 20 V AC/DC ... 253 V AC/DC
Hysteresis:	2 mm
Output current:	< 400 mA
Capacitive load:	100
Inductive load:	1 H
Electrical connection:	M20 x 1.5

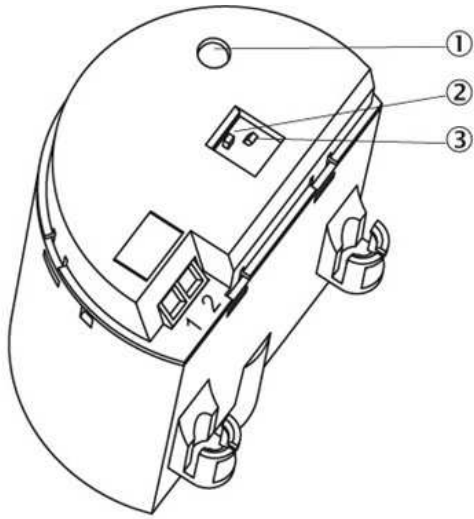
Ambient data

Ambient temperature operation:	-40 °C ... 70 °C
Ambient storage temperature:	-40 °C ... 80 °C

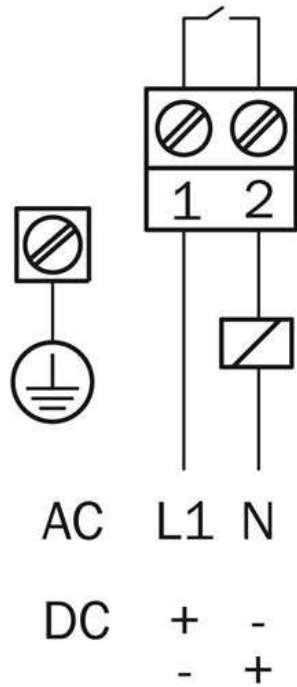
Dimensional drawing



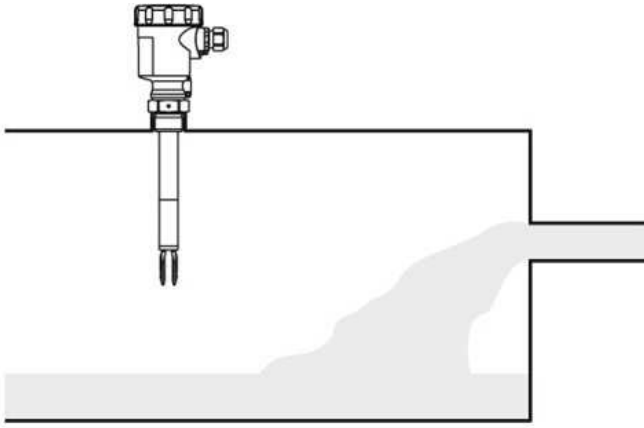
Electronic module



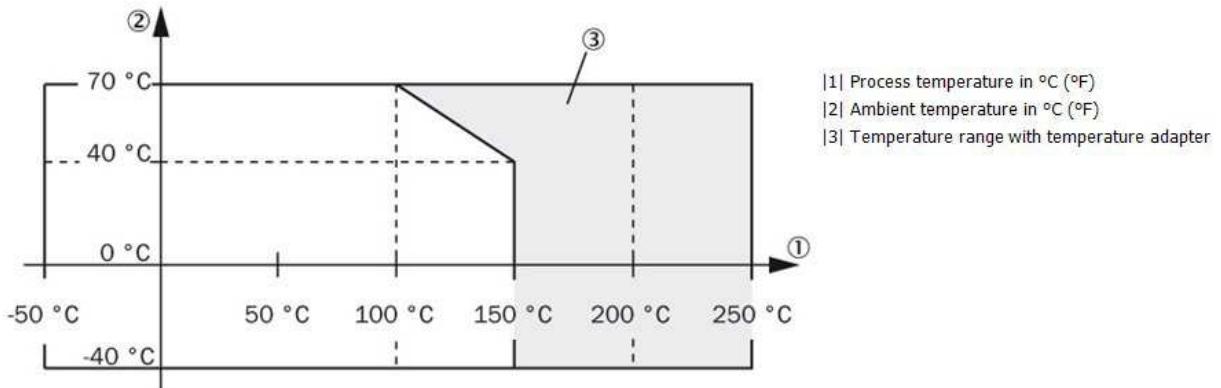
Contactless electronic switch connection diagram



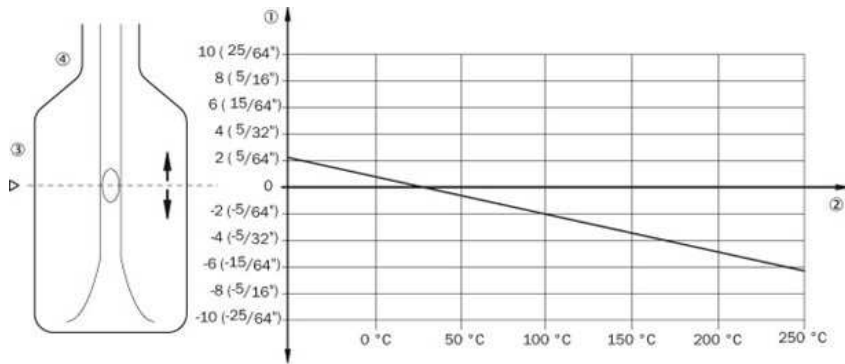
Instruction for installation



Ambient temperature - process temperature

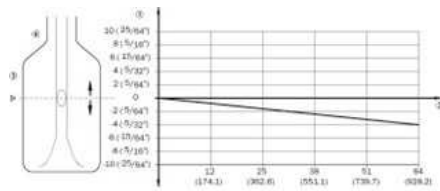


Influence of the process temperature on the switching point



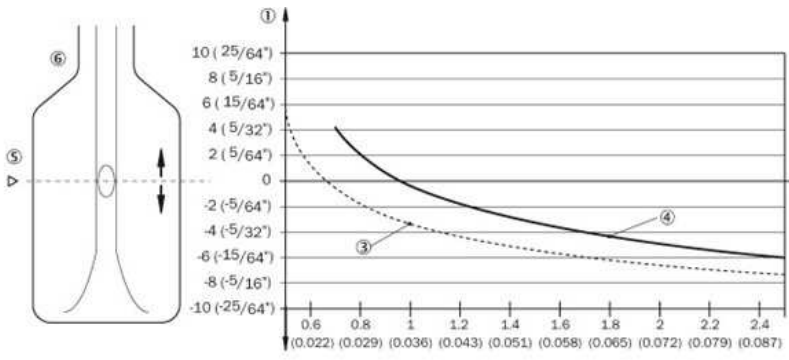
- |1| Shifting of the switching point in mm (in)
- |2| Process temperature in °C (°F)
- |3| Switching point at reference conditions (notch)
- |4| Tuning fork

Influence of the process temperature to the switching point



- |1| Shifting of the switching point in mm (in)
- |2| Process pressure in bar (psig)
- |3| Switching point at reference conditions (notch)
- |4| Tuning fork

Influence of the product density on the switching point



- |1| Shifting of the switching point in mm (in)
- |2| Product density in g/cm³ (lb/in³)
- |3| Switch position 0.5 g/cm³ (0.018 lb/in³)
- |4| Switch position 0.7 g/cm³ (0.025 lb/in³)
- |5| Switching point at reference conditions (notch)
- |6| Tuning fork

Australia

Phone +61 3 9457 0600
1800 33 48 02 – tollfree
E-Mail sales@sick.com.au

Belgium/Luxembourg

Phone +32 (0)2 466 55 66
E-Mail info@sick.be

Brasil

Phone +55 11 3215-4900
E-Mail marketing@sick.com.br

Canada

Phone +1 905 771 14 44
E-Mail information@sick.com

Česká republika

Phone +420 2 57 91 18 50
E-Mail sick@sick.cz

China

Phone +86 4000 121 000
E-Mail info.china@sick.net.cn
Phone +852-2153 6300
E-Mail ghk@sick.com.hk

Danmark

Phone +45 45 82 64 00
E-Mail sick@sick.dk

Deutschland

Phone +49 211 5301-301
E-Mail info@sick.de

España

Phone +34 93 480 31 00
E-Mail info@sick.es

France

Phone +33 1 64 62 35 00
E-Mail info@sick.fr

Great Britain

Phone +44 (0)1727 831121
E-Mail info@sick.co.uk

India

Phone +91-22-4033 8333
E-Mail info@sick-india.com

Israel

Phone +972-4-6881000
E-Mail info@sick-sensors.com

Italia

Phone +39 02 27 43 41
E-Mail info@sick.it

Japan

Phone +81 (0)3 5309 2112
E-Mail support@sick.jp

Magyarország

Phone +36 1 371 2680
E-Mail office@sick.hu

Nederland

Phone +31 (0)30 229 25 44
E-Mail info@sick.nl

Norge

Phone +47 67 81 50 00
E-Mail sick@sick.no

Österreich

Phone +43 (0)22 36 62 28 8-0
E-Mail office@sick.at

Polska

Phone +48 22 837 40 50
E-Mail info@sick.pl

România

Phone +40 356 171 120
E-Mail office@sick.ro

Russia

Phone +7-495-775-05-30
E-Mail info@sick.ru

Schweiz

Phone +41 41 619 29 39
E-Mail contact@sick.ch

Singapore

Phone +65 6744 3732
E-Mail sales.gsg@sick.com

Slovenija

Phone +386 (0)1-47 69 990
E-Mail office@sick.si

South Africa

Phone +27 11 472 3733
E-Mail info@sickautomation.co.za

South Korea

Phone +82 2 786 6321/4
E-Mail info@sickkorea.net

Suomi

Phone +358-9-25 15 800
E-Mail sick@sick.fi

Sverige

Phone +46 10 110 10 00
E-Mail info@sick.se

Taiwan

Phone +886 2 2375-6288
E-Mail sales@sick.com.tw

Türkiye

Phone +90 (216) 528 50 00
E-Mail info@sick.com.tr

United Arab Emirates

Phone +971 (0) 4 88 65 878
E-Mail info@sick.ae

USA/México

Phone +1(952) 941-6780
1 (800) 325-7425 – tollfree
E-Mail info@sickusa.com

More representatives and agencies
at www.sick.com