



Level sensors
Vibrating level switch, LBV310

LBV310-XXANDTKMX



Model Name > **LBV310-XXANDTKMX**
Part No. > **6038040**



Product might differ from illustration

At a glance

- Rugged device design
- Several housing materials and electrical outputs available
- Immune to deposit formation
- Commissioning without filling
- Process temperature up to 250 °C
- Very high repeatability
- ATEX versions (1D/2D/1G/2G) available
- Tube extensions (LBV330) and rope extensions (LBV320) available for vertical mounting up to 80 m distance

Your benefits

- Easy installation and commissioning, no calibration necessary
- Easy operation and integration, saves time
- Maintenance-free sensor, reduces downtime
- Testing in place possible - no mounting required, which reduces installation time
- Flexible and tough system for a multitude of applications



Features

Medium:	Bulk solids
Measurement:	Switch
Probe length:	220 mm
Process pressure:	-1 bar ... 25 bar
Process temperature:	-50 °C ... 150 °C
ATEX certification:	-
Particle size:	< 10 mm
Fill material density:	0.008 g/cm ³

Performance

Accuracy:	± 10 mm
Repeatability:	± 5 mm
Response time:	500 ms

Mechanical data

Housing material:	Plastic
Process connection:	1 1/2" NPT PN 25/316L
Sensor material:	Stainless steel 1.4404

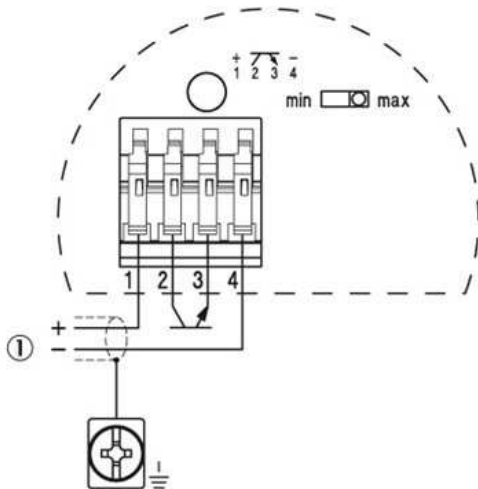
Electrical data

Enclosure rating:	IP 66
Residual ripple:	≤ 5 Vpp
Power consumption:	< 10 mA
VDE protection class 2:	✓
Initialization time:	2 s
Output type:	Transistor output PNP/ NPN: 10 V DC ... 55 V DC
Hysteresis:	10 mm
Output current:	< 300 mA
Signal voltage HIGH:	$U_v - 3$ V
Signal voltage LOW:	< 1 V
Capacitive load:	100 nF
Inductive load:	1 H
Electrical connection:	M20x1,5

Ambient data

Ambient temperature operation:	-40 °C ... 80 °C
Ambient storage temperature:	-40 °C ... 80 °C

Transistor connection diagram

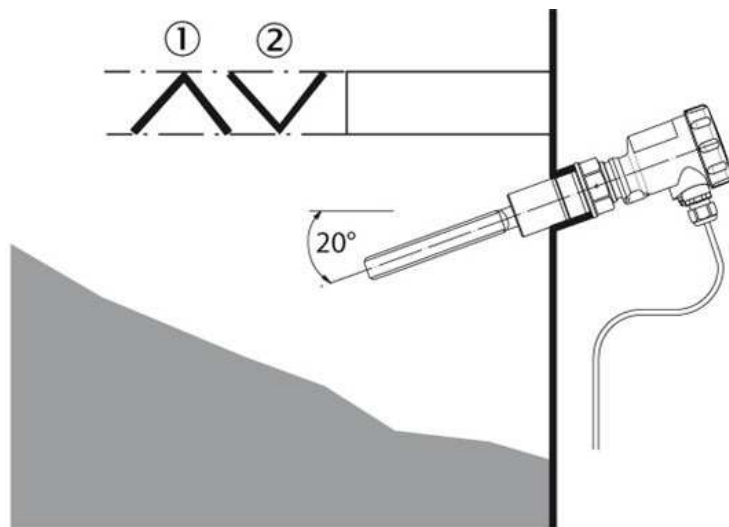


Flow orientation of the tuning fork



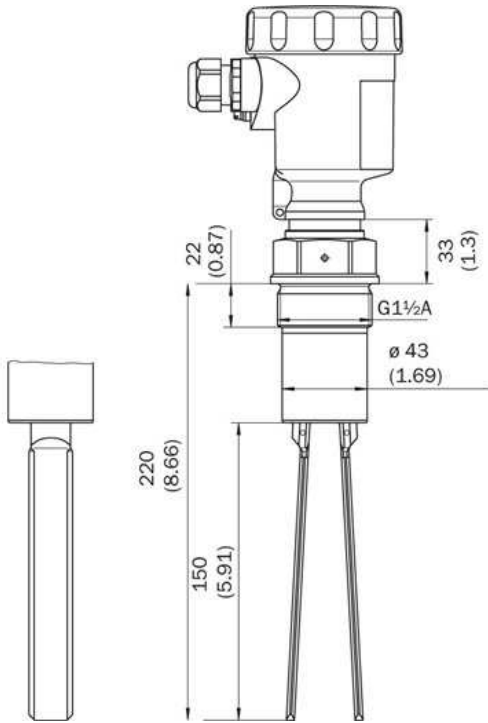
- |1| Marking with screwed version
- |2| Direction of flow

Horizontal mounting

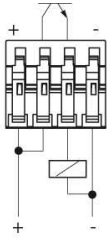


- |1| Protective sheet
- |2| Concave protective sheet for abrasive solids

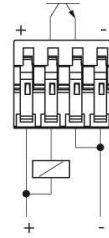
Dimensional drawing



PNP action



NPN action



Australia

Phone +61 3 9457 0600
1800 33 48 02 – tollfree
E-Mail sales@sick.com.au

Belgium/Luxembourg

Phone +32 (0)2 466 55 66
E-Mail info@sick.be

Brasil

Phone +55 11 3215-4900
E-Mail marketing@sick.com.br

Canada

Phone +1 905 771 14 44
E-Mail information@sick.com

Česká republika

Phone +420 2 57 91 18 50
E-Mail sick@sick.cz

China

Phone +86 4000 121 000
E-Mail info.china@sick.net.cn
Phone +852-2153 6300
E-Mail ghk@sick.com.hk

Danmark

Phone +45 45 82 64 00
E-Mail sick@sick.dk

Deutschland

Phone +49 211 5301-301
E-Mail info@sick.de

España

Phone +34 93 480 31 00
E-Mail info@sick.es

France

Phone +33 1 64 62 35 00
E-Mail info@sick.fr

Great Britain

Phone +44 (0)1727 831121
E-Mail info@sick.co.uk

India

Phone +91-22-4033 8333
E-Mail info@sick-india.com

Israel

Phone +972-4-6881000
E-Mail info@sick-sensors.com

Italia

Phone +39 02 27 43 41
E-Mail info@sick.it

Japan

Phone +81 (0)3 5309 2112
E-Mail support@sick.jp

Magyarország

Phone +36 1 371 2680
E-Mail office@sick.hu

Nederland

Phone +31 (0)30 229 25 44
E-Mail info@sick.nl

Norge

Phone +47 67 81 50 00
E-Mail sick@sick.no

Österreich

Phone +43 (0)22 36 62 28 8-0
E-Mail office@sick.at

Polska

Phone +48 22 837 40 50
E-Mail info@sick.pl

România

Phone +40 356 171 120
E-Mail office@sick.ro

Russia

Phone +7-495-775-05-30
E-Mail info@sick.ru

Schweiz

Phone +41 41 619 29 39
E-Mail contact@sick.ch

Singapore

Phone +65 6744 3732
E-Mail sales.gsg@sick.com

Slovenija

Phone +386 (0)1-47 69 990
E-Mail office@sick.si

South Africa

Phone +27 11 472 3733
E-Mail info@sickautomation.co.za

South Korea

Phone +82 2 786 6321/4
E-Mail info@sickkorea.net

Suomi

Phone +358-9-25 15 800
E-Mail sick@sick.fi

Sverige

Phone +46 10 110 10 00
E-Mail info@sick.se

Taiwan

Phone +886 2 2375-6288
E-Mail sales@sick.com.tw

Türkiye

Phone +90 (216) 528 50 00
E-Mail info@sick.com.tr

United Arab Emirates

Phone +971 (0) 4 88 65 878
E-Mail info@sick.ae

USA/México

Phone +1(952) 941-6780
1 (800) 325-7425 – tollfree
E-Mail info@sickusa.com

More representatives and agencies
at www.sick.com