



Pressure sensors
Pressure transmitter

PHT-RB025SVF0S0ALS0Z



Model Name > [PHT-RB025SVF0S0ALS0Z](#)
Part No. > [6039402](#)



Illustration may differ

At a glance

- Robust and precise pressure measurement technology
- Gauge measuring ranges from 0 ... 0.25 bar up to 0 ... 25 bar
- Available in 2 accuracy classes:
- Flush-mounted, hermetically sealed stainless steel membrane with roughness Ra < 0.4 µm
- Wetted parts stainless steel 1.4435, housing stainless steel 1.4571
- Large range of hygienic process connectors
- Stainless steel housing and field housing with enclosure rating of up to IP 68

Your benefits

- Perfectly suited for demanding hygienic applications in the food and beverage, pharmaceutical and cosmetics industries
- Safe hygienic operation through EHEDG and 3-A certifications
- High reliability due to robust design and use of high-grade materials
- Withstands CIP/SIP, ensuring high system availability and reliability
- Transmitter housing is easily cleaned
- Versatile configurability optimizes solutions



Features

| | |
|----------------------|-------------------|
| Pressure type: | Gauge pressure |
| Measuring range: | 0 bar ... 25 bar |
| Process temperature: | -20 °C ... 150 °C |
| Rated temperature: | 0 °C ... 80 °C |
| CE-conformity: | ✓ |
| Output signal: | 4...20 mA |

Performance

| | |
|----------------|---------------------------------------|
| Accuracy: | ≤ +/- 0.5 % (of span) |
| Non-linearity: | 0.2 % (Best Fit Straight Line (BFSL)) |
| Response time: | ≤ 10 ms |

Mechanics/electronics

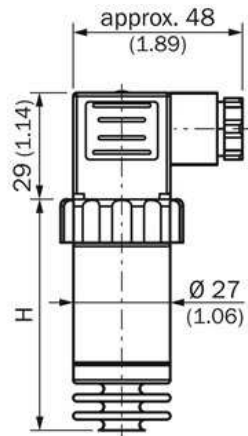
| | |
|---------------------|---------------------------|
| Process connection: | Varivent Connector Type F |
| Wetted parts: | Stainless steel 1.4435 |
| Housing material: | Stainless steel 1.4571 |
| Enclosure rating: | IP 65 |

| | |
|------------------------|--|
| Electrical connection: | L-connector DIN EN 175301-803 A, IP 65 |
| Supply voltage: | 10 V DC ... 30 V DC |
| Electrical safety: | Short-circuit protection: QA towards M, Overvoltage protection: 36 V DC, Reverse polarity protection: L+ towards M |
| Dielectric strength: | 500 V DC, NEC Class 02 power supply (low voltage and low current max. 100 VA even under fault conditions) |
| Protection class III: | ✓ |
| Weight sensor: | ± 500 g |

Ambient data

| | |
|----------------------|--|
| Ambient temperature: | -20 °C ... 80 °C |
| Shock load: | 500 g according to IEC 60068-2-27 (mechanical shock) |
| Vibration load: | 15g per IEC 60068-2-6 (vibration under resonance) |

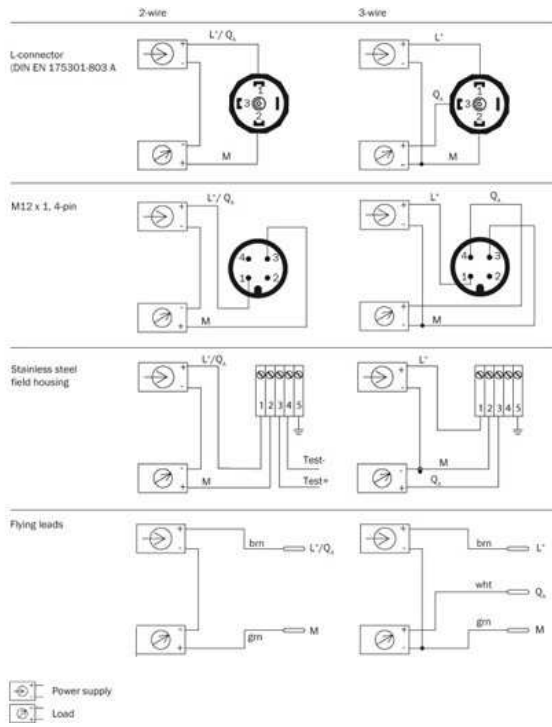
Dimensional drawing housing



With accuracy H

| | |
|--------|-----------|
| 0.5 % | 64 (2.52) |
| 0.25 % | 84 (3.31) |

Connection type



Australia

Phone +61 3 9457 0600
1800 33 48 02 – tollfree
E-Mail sales@sick.com.au

Belgium/Luxembourg

Phone +32 (0)2 466 55 66
E-Mail info@sick.be

Brasil

Phone +55 11 3215-4900
E-Mail marketing@sick.com.br

Canada

Phone +1 905 771 14 44
E-Mail information@sick.com

Česká republika

Phone +420 2 57 91 18 50
E-Mail sick@sick.cz

China

Phone +86 4000 121 000
E-Mail info.china@sick.net.cn
Phone +852-2153 6300
E-Mail ghk@sick.com.hk

Danmark

Phone +45 45 82 64 00
E-Mail sick@sick.dk

Deutschland

Phone +49 211 5301-301
E-Mail info@sick.de

España

Phone +34 93 480 31 00
E-Mail info@sick.es

France

Phone +33 1 64 62 35 00
E-Mail info@sick.fr

Great Britain

Phone +44 (0)1727 831121
E-Mail info@sick.co.uk

India

Phone +91-22-4033 8333
E-Mail info@sick-india.com

Israel

Phone +972-4-6881000
E-Mail info@sick-sensors.com

Italia

Phone +39 02 27 43 41
E-Mail info@sick.it

Japan

Phone +81 (0)3 5309 2112
E-Mail support@sick.jp

Magyarország

Phone +36 1 371 2680
E-Mail office@sick.hu

Nederland

Phone +31 (0)30 229 25 44
E-Mail info@sick.nl

Norge

Phone +47 67 81 50 00
E-Mail sick@sick.no

Österreich

Phone +43 (0)22 36 62 28 8-0
E-Mail office@sick.at

Polska

Phone +48 22 837 40 50
E-Mail info@sick.pl

România

Phone +40 356 171 120
E-Mail office@sick.ro

Russia

Phone +7-495-775-05-30
E-Mail info@sick.ru

Schweiz

Phone +41 41 619 29 39
E-Mail contact@sick.ch

Singapore

Phone +65 6744 3732
E-Mail sales.gsg@sick.com

Slovenija

Phone +386 (0)1-47 69 990
E-Mail office@sick.si

South Africa

Phone +27 11 472 3733
E-Mail info@sickautomation.co.za

South Korea

Phone +82 2 786 6321/4
E-Mail info@sickkorea.net

Suomi

Phone +358-9-25 15 800
E-Mail sick@sick.fi

Sverige

Phone +46 10 110 10 00
E-Mail info@sick.se

Taiwan

Phone +886 2 2375-6288
E-Mail sales@sick.com.tw

Türkiye

Phone +90 (216) 528 50 00
E-Mail info@sick.com.tr

United Arab Emirates

Phone +971 (0) 4 88 65 878
E-Mail info@sick.ae

USA/México

Phone +1(952) 941-6780
1 (800) 325-7425 – tollfree
E-Mail info@sickusa.com

More representatives and agencies
at www.sick.com