



Level sensors  
Ultrasonic level sensor, UP56-214

UP56-214172



**Model Name** > [UP56-214172](#)  
**Part No.** > [6039864](#)



*Illustration may differ*

**At a glance**

- Non-contact level measurement up to 3.4 m operating distance / 8.0 m limit scanning distance
- Pressure resistant up to 6 bar (87 psi)
- Transducer protected by PVDF cover for increased resistance
- 3 in 1: continuous level measurement, level switch and display
- Analog output switchable between 4 mA ... 20 mA and 0 V ... 10 V
- Process connector thread G 1 and G 2
- IP 67 enclosure rating
- Easy to set parameters, also via connect+

**Your benefits**

- Non-contact measurement in pressurized containers - no wear over time
- Easy to set parameters, saving time
- Flexible measurement system for different container sizes - standardization and stock reduction
- One product for point level and continuous applications, reduces the number of sensors required



**Features**

Medium:	Fluids
Measurement:	Switch, Continuous
Limiting scanning distance:	350 mm ... 8,000 mm <sup>1)</sup>
Operating distance:	350 mm ... 3,400 mm
Process pressure:	0 bar ... 6 bar, gauge pressure
Process temperature:	-25 °C ... 70 °C

<sup>1)</sup> At 6 bar gauge

**Performance**

Resolution:	0.18 mm
Accuracy of sensor element:	≤ 2 % <sup>1)</sup>
Repeatability:	± 0.15 % <sup>2)</sup>
Response time:	≤ 240 ms <sup>3)</sup>

<sup>1) 2)</sup> Of final value <sup>3)</sup> Recovery time 32 ms ... 180 ms according to EMC EN 60947-5-7

### Mechanical data

---

Housing material:	PBT, PVDF, TPU
Process connection:	G 2 A PN 6

### Electrical data

---

Ultrasonic frequency:	120 kHz
Enclosure rating:	IP 67
Supply voltage:	9 V DC ... 30 V DC <sup>1)</sup>
Residual ripple:	± 10 %
Power consumption:	≤ 80 mA <sup>2)</sup>
Time delay before availability:	≤ 300 ms
Output signal:	2x PNP
Hysteresis:	50 mm
Signal voltage HIGH:	U <sub>v</sub> - 3 V
Electrical connection:	Round connector M12 x 1, 5-pin
Ultrasonic transducer:	PTFE coating, FFKM

<sup>1)</sup> Reverse-polarity protected    <sup>2)</sup> At 24 V DC without output load

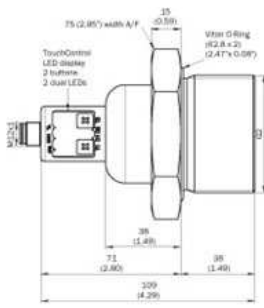
### Ambient data

---

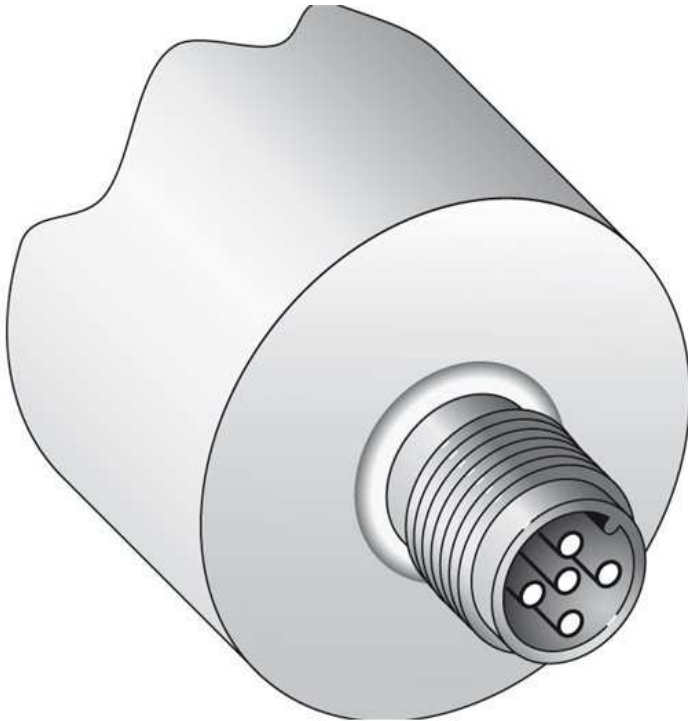
Ambient temperature operation:	-25 °C ... 70 °C <sup>1)</sup>
Ambient storage temperature:	-40 °C ... 85 °C

<sup>1)</sup> Temperature compensation at -25 °C ... 50 °C, can be switched off

## Dimensional drawing

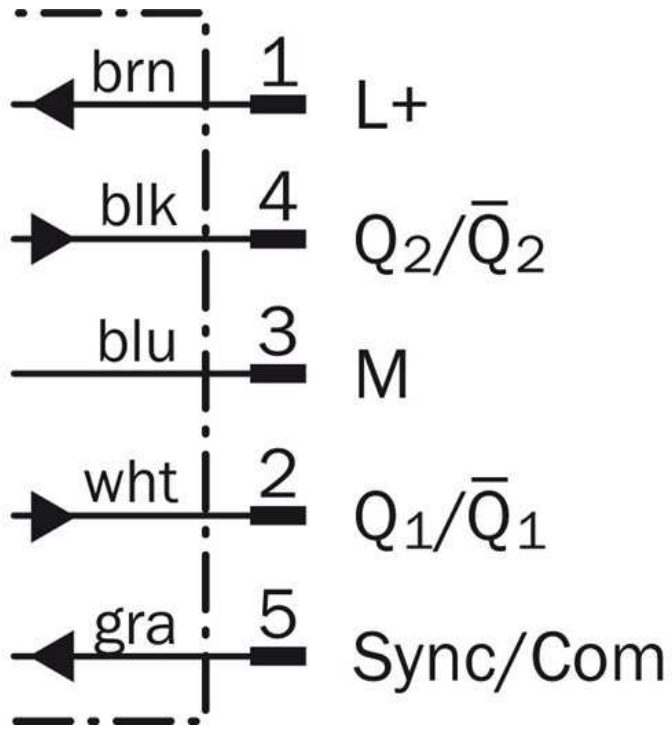


## Connection type



Connection diagram

---



**Australia**

Phone +61 3 9457 0600  
1800 33 48 02 – tollfree  
E-Mail sales@sick.com.au

**Belgium/Luxembourg**

Phone +32 (0)2 466 55 66  
E-Mail info@sick.be

**Brasil**

Phone +55 11 3215-4900  
E-Mail marketing@sick.com.br

**Canada**

Phone +1 905 771 14 44  
E-Mail information@sick.com

**Česká republika**

Phone +420 2 57 91 18 50  
E-Mail sick@sick.cz

**China**

Phone +86 4000 121 000  
E-Mail info.china@sick.net.cn  
Phone +852-2153 6300  
E-Mail ghk@sick.com.hk

**Danmark**

Phone +45 45 82 64 00  
E-Mail sick@sick.dk

**Deutschland**

Phone +49 211 5301-301  
E-Mail info@sick.de

**España**

Phone +34 93 480 31 00  
E-Mail info@sick.es

**France**

Phone +33 1 64 62 35 00  
E-Mail info@sick.fr

**Great Britain**

Phone +44 (0)1727 831121  
E-Mail info@sick.co.uk

**India**

Phone +91-22-4033 8333  
E-Mail info@sick-india.com

**Israel**

Phone +972-4-6881000  
E-Mail info@sick-sensors.com

**Italia**

Phone +39 02 27 43 41  
E-Mail info@sick.it

**Japan**

Phone +81 (0)3 5309 2112  
E-Mail support@sick.jp

**Magyarország**

Phone +36 1 371 2680  
E-Mail office@sick.hu

**Nederland**

Phone +31 (0)30 229 25 44  
E-Mail info@sick.nl

**Norge**

Phone +47 67 81 50 00  
E-Mail sick@sick.no

**Österreich**

Phone +43 (0)22 36 62 28 8-0  
E-Mail office@sick.at

**Polska**

Phone +48 22 837 40 50  
E-Mail info@sick.pl

**România**

Phone +40 356 171 120  
E-Mail office@sick.ro

**Russia**

Phone +7-495-775-05-30  
E-Mail info@sick.ru

**Schweiz**

Phone +41 41 619 29 39  
E-Mail contact@sick.ch

**Singapore**

Phone +65 6744 3732  
E-Mail sales.gsg@sick.com

**Slovenija**

Phone +386 (0)1-47 69 990  
E-Mail office@sick.si

**South Africa**

Phone +27 11 472 3733  
E-Mail info@sickautomation.co.za

**South Korea**

Phone +82 2 786 6321/4  
E-Mail info@sickkorea.net

**Suomi**

Phone +358-9-25 15 800  
E-Mail sick@sick.fi

**Sverige**

Phone +46 10 110 10 00  
E-Mail info@sick.se

**Taiwan**

Phone +886 2 2375-6288  
E-Mail sales@sick.com.tw

**Türkiye**

Phone +90 (216) 528 50 00  
E-Mail info@sick.com.tr

**United Arab Emirates**

Phone +971 (0) 4 88 65 878  
E-Mail info@sick.ae

**USA/México**

Phone +1(952) 941-6780  
1 (800) 325-7425 – tollfree  
E-Mail info@sickusa.com

More representatives and agencies  
at [www.sick.com](http://www.sick.com)