



Fiber-optic sensors
WLL180T, Fiber-optic photoelectric sensor

WLL180T-M333S01



Model Name > [WLL180T-M333S01](#)
Part No. > [6041000](#)



Illustration may differ

At a glance

- Selectable response time up to 16 μ s
- Sensing range up to 20 m, sensing distance up to 1400 mm
- Bus-compatible with anti-interference
- 2 x 4-digit display
- Adjustable hysteresis
- Rotatable display screen
- High-resolution signal processing
- Programmable time delays

Your benefits

- Reliable, rapid process detection, even under the most difficult ambient conditions, such as dust, spray or mist
- Easy commissioning and product changeover due to external teach-in
- Cross-talk is eliminated when utilizing bus configuration option
- Quick, easy setup and adjustment due to an intuitive operating menu
- Flexible parameter adjustment due to high-resolution signal processing. Hysteresis and time delays can be adapted to suit the application, e.g., when detecting tiny or transparent objects
- Easy-to-read display, even under difficult installation conditions



Features

Device type:	Base unit ¹⁾
Dimensions (W x H x D):	10.5 mm x 34.6 mm x 71.9 mm
Sensing range max.:	0 m ... 20 m, through-beam system ^{2) 3)}
Sensing range::	0 mm ... 1,400 mm, proximity system ^{4) 5)}
Light source:	LED ⁶⁾
Type of light:	Visible red light
Wave length:	650 nm
Sensitivity adjustment:	Teach
Adjustment of operating distance:	Teach
Teach-in:	Menu-controlled
Time type:	Without time delay time delay off switch on delay ON and OFF delay one shot
Delay time:	Programmable: 0 ... 9,999 ms

Indication:	Display
Sensor/detection principle:	Fiber-optic photoelectric sensor
Angle of dispersion:	Ca. 65 °
Housing design (light emission):	Rectangular
Display:	LED status display / 2x 4-character digital dual displays, Set value (green indicator) and actual value (red indicator) are displayed simultaneously, display of parameters

1) Up to 15 expansion units can be connected 2) Sensing range with 8 ms response time. Reduction with shorter response time (see tables LL3/WLL180T) 3) LL3-TX01 4) Objects to be sensed with 90% reflectivity (based on DIN 5033 white standard). Sensing range with 8 ms response time. Reduction with shorter response time (see tables LL3/WLL180T) 5) LL3-DK06 6) Average service life of 100,000 h at $T_A = +25\text{ °C}$

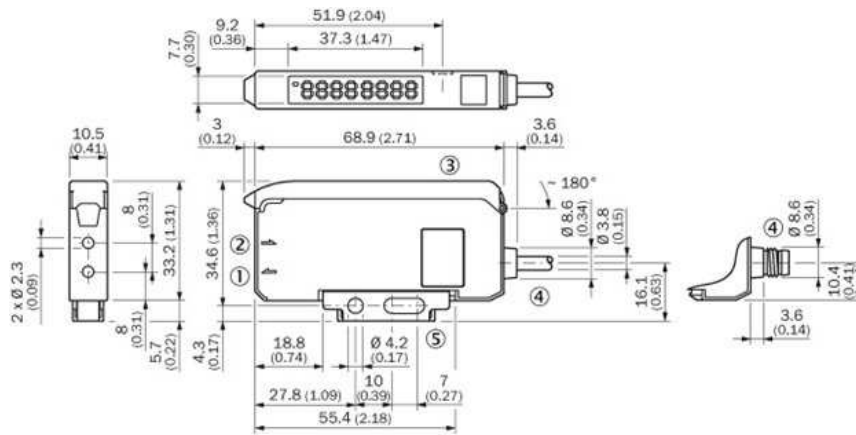
Mechanics/electronics

Enclosure rating:	IP 50 ¹⁾
Supply voltage:	12 V DC ... 24 V DC ²⁾
Residual ripple:	≤ 10 % ³⁾
Power consumption:	≤ 50 mA ⁴⁾
Output type:	PNP, Light/dark-switching, manually selectable, open collector
Output current I _{max.} :	≤ 100 mA
Response time:	≤ 2 ms ≤ 8 ms ≤ 16 μs ≤ 70 μs ⁵⁾ ≤ 250 μs
Switching frequency:	31.2 kHz 7.1 kHz 2 kHz 250 Hz 62.5 Hz
Electrical connection:	Cable with plug, M8, 3-pin, 0.2 m ⁶⁾
Protection class:	III
Circuit protection:::	A, B, C, D ^{7) 8) 9) 10)}
Special device:	1
Housing material:	ABS/PC
Ambient temperature operation:	-25 °C ... 55 °C
Ambient storage temperature:	-25 °C ... 70 °C
Special features:	M8, 3-pin, 200 mm Pigtail

See LL3 fiber-optic data;

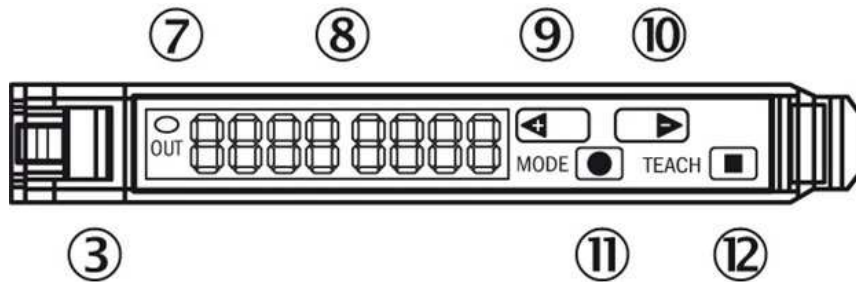
1) With correctly attached fibre-optic cable LL3 and closed protection hood ²⁾ +/- 10% ³⁾ May not exceed or fall short of V_S tolerances ⁴⁾ Without load ⁵⁾ Selectable ⁶⁾ Do not bend below 0 °C ⁷⁾ A = V_S connections reverse-polarity protected ⁸⁾ B = inputs and output reverse-polarity protected ⁹⁾ C = interference suppression ¹⁰⁾ D = outputs overcurrent and short-circuit protected

Dimensional drawing



- [1] Sender LED, installation of LL3 fibre-optic cable (sender fibre)
- [2] Receiver, installation of LL3 fibre optic cable (receiver fibre)
- [3] Locking the fiber-optic cables
- [4] Protective hood, can be raised at both ends
- [5] Connection
- [6] Mounting bracket, included

Adjustments possible



- [3] Locking the fiber-optic cables
- [7] LED indicator orange, lights up when switching output is active
- [8] Numeric display 2 x 4-digit; green: switching threshold, operating mode; red: actual value, Teach-in and function parameter
- [9] Step-button > (manual switching threshold: higher; or next function parameter)
- [10] Step-button < (manual switching threshold: lower; or previous function parameter)
- [11] Mode/Enter-button
- [12] Teach-in button

Australia

Phone +61 3 9457 0600
1800 33 48 02 – tollfree
E-Mail sales@sick.com.au

Belgium/Luxembourg

Phone +32 (0)2 466 55 66
E-Mail info@sick.be

Brasil

Phone +55 11 3215-4900
E-Mail marketing@sick.com.br

Canada

Phone +1 905 771 14 44
E-Mail information@sick.com

Česká republika

Phone +420 2 57 91 18 50
E-Mail sick@sick.cz

China

Phone +86 4000 121 000
E-Mail info.china@sick.net.cn
Phone +852-2153 6300
E-Mail ghk@sick.com.hk

Danmark

Phone +45 45 82 64 00
E-Mail sick@sick.dk

Deutschland

Phone +49 211 5301-301
E-Mail info@sick.de

España

Phone +34 93 480 31 00
E-Mail info@sick.es

France

Phone +33 1 64 62 35 00
E-Mail info@sick.fr

Great Britain

Phone +44 (0)1727 831121
E-Mail info@sick.co.uk

India

Phone +91-22-4033 8333
E-Mail info@sick-india.com

Israel

Phone +972-4-6881000
E-Mail info@sick-sensors.com

Italia

Phone +39 02 27 43 41
E-Mail info@sick.it

Japan

Phone +81 (0)3 5309 2112
E-Mail support@sick.jp

Magyarország

Phone +36 1 371 2680
E-Mail office@sick.hu

Nederland

Phone +31 (0)30 229 25 44
E-Mail info@sick.nl

Norge

Phone +47 67 81 50 00
E-Mail sick@sick.no

Österreich

Phone +43 (0)22 36 62 28 8-0
E-Mail office@sick.at

Polska

Phone +48 22 837 40 50
E-Mail info@sick.pl

România

Phone +40 356 171 120
E-Mail office@sick.ro

Russia

Phone +7-495-775-05-30
E-Mail info@sick.ru

Schweiz

Phone +41 41 619 29 39
E-Mail contact@sick.ch

Singapore

Phone +65 6744 3732
E-Mail sales.gsg@sick.com

Slovenija

Phone +386 (0)1-47 69 990
E-Mail office@sick.si

South Africa

Phone +27 11 472 3733
E-Mail info@sickautomation.co.za

South Korea

Phone +82 2 786 6321/4
E-Mail info@sickkorea.net

Suomi

Phone +358-9-25 15 800
E-Mail sick@sick.fi

Sverige

Phone +46 10 110 10 00
E-Mail info@sick.se

Taiwan

Phone +886 2 2375-6288
E-Mail sales@sick.com.tw

Türkiye

Phone +90 (216) 528 50 00
E-Mail info@sick.com.tr

United Arab Emirates

Phone +971 (0) 4 88 65 878
E-Mail info@sick.ae

USA/México

Phone +1(952) 941-6780
1 (800) 325-7425 – tollfree
E-Mail info@sickusa.com

More representatives and agencies
at www.sick.com