



Photoelectric sensors
W8 Inox, Photoelectric proximity sensor,
Background suppression

WTB8-N3331V



Model Name > [WTB8-N3331V](#)
Part No. > [6041464](#)



Illustration may differ

At a glance

- Rugged IP 69K stainless steel housing 1.4404/316L
- Front screen made of high-performance PPSU plastic that is resistant to heat and chemicals
- Potentiometer made of mechanically stable, high-performance PEEK plastic
- Constructed from FDA-approved materials
- Well-defined, highly visible light spot
- M3 threaded mounting holes and stainless steel mounting bracket (1.4301/304) included with delivery

Your benefits

- High reliability due to an IP 69K stainless steel housing, which withstands aggressive cleaning agents or cooling lubricants
- Quick and easy mounting due to universally compatible M3 threaded mounting holes
- Compact housing saves space (equal to W8 plastic version)
- Highly visible light spot provides easy alignment
- All necessary accessories are included, which simplifies installation



Features

Sensor/detection principle:	Photoelectric proximity sensor, Background suppression
Dimensions (W x H x D):	11 mm x 21 mm x 33.3 mm
Housing design (light emission):	Rectangular
Sensing range max.:	10 mm ... 500 mm ¹⁾
Sensing range:	30 mm ... 300 mm ²⁾
Type of light:	Visible red light
Light source:	LED ³⁾
Wave length:	650 nm
Light spot diameter (distance):	Ø 22 mm (350 mm)

^{1) 2)} Object with 90 % reflectance (referred to standard white DIN 5033) ³⁾ Average service life of 100,000 h at T_A = +25 °C

Mechanics/electronics

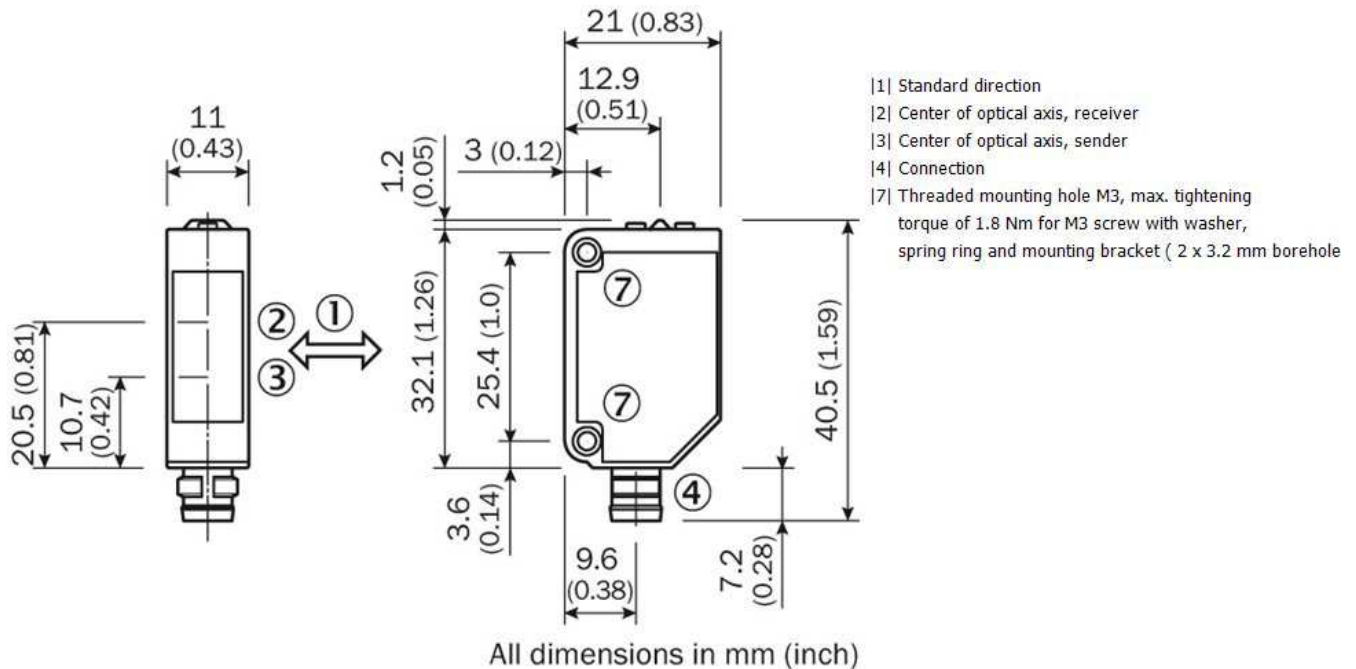
Supply voltage:	10 V DC ... 30 V DC ¹⁾
Residual ripple:	± 10 % ²⁾
Power consumption:	≤ 30 mA ³⁾

Output type:	NPN, Light/dark-switching, selectable via light/dark selector
Signal voltage NPN HIGH/LOW:	Approx. $V_S / < 1.8 \text{ V}$
Output current I_{max} :	100 mA
Response time:	$\leq 0.5 \text{ ms}$ ⁴⁾
Switching frequency:	1,000 Hz ⁵⁾
Electrical connection:	Cable with connector M12, 4-pin, 300 mm ⁶⁾
Cable material:	PVC
Conductor cross-section:	0.18 mm ²
Circuit protection:::	A, B, D ⁷⁾ ⁸⁾ ⁹⁾
Protection class:	III
Weight:	83.6 g
Housing material:	Stainless steel V4A (1.4404, 316L)
Enclosure rating:	IP 69K
Items supplied:	Stainless steel mounting bracket (1.4301/304) BEF-W100-A
Ambient temperature operation:	-30 °C ... 60 °C ¹⁰⁾
Ambient storage temperature:	-40 °C ... 70 °C
UL File-No.:	FDA

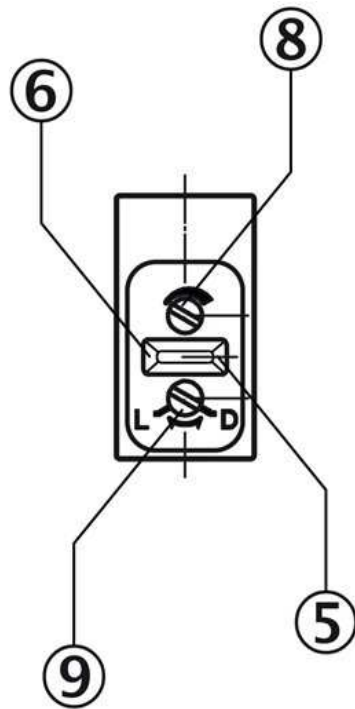
¹⁾ Limit values, reverse-polarity protected operation in short-circuit protected network max. 8 A ²⁾ May not exceed or fall short of V_S tolerances ³⁾ Without load ⁴⁾

Signal transit time with resistive load ⁵⁾ With light/dark ratio 1:1 ⁶⁾ Do not bend below 0 °C ⁷⁾ A = V_S connections reverse-polarity protected ⁸⁾ B = inputs and output reverse-polarity protected ⁹⁾ D = outputs overcurrent and short-circuit protected ¹⁰⁾ At an air humidity of 35 ... 95 %

Dimensional drawing

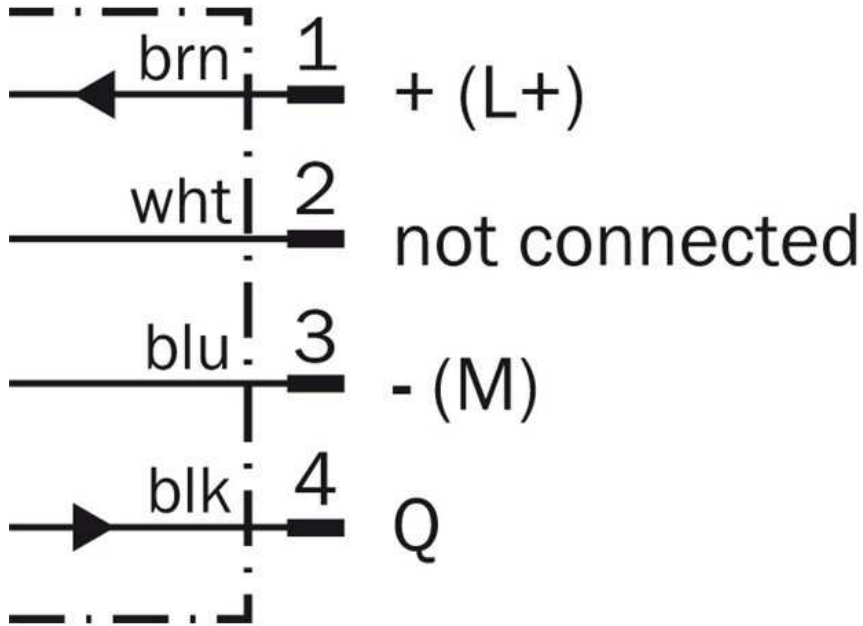


Adjustments possible

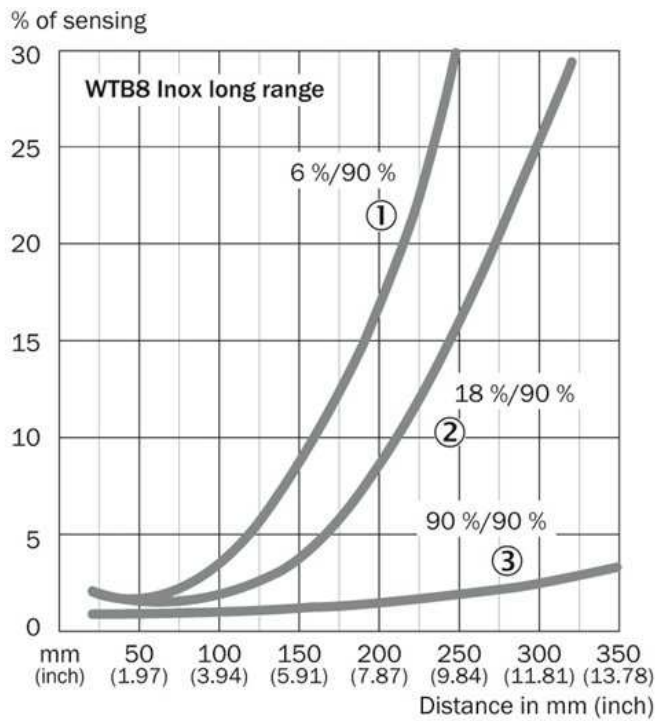


- |5| Orange LED indicator : switching output active
- |6| LED indicator green: stability indicator goes on if light received < 0.9 or > 1.1 (based on switching threshold $Q = 1$)
- |8| Sensing range adjustment
- |9| Light/ dark rotary switch L = light switching, D = dark switching

Connection diagram

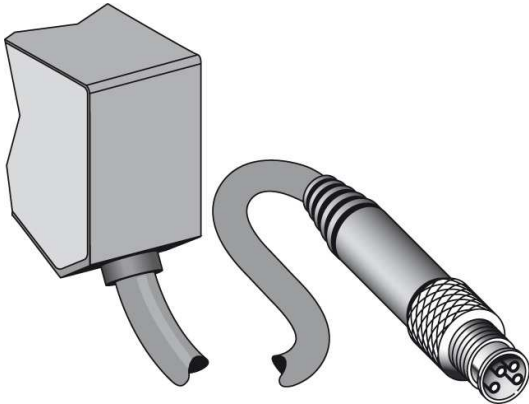


Characteristic curve

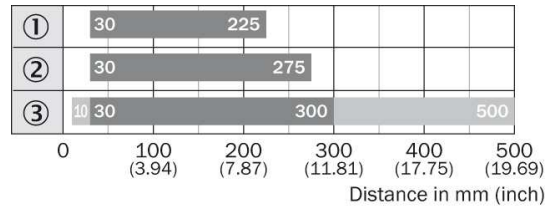


- |1| Sensing range on black, 6 % remission
- |2| Sensing range on grey, 18 % remission
- |3| Sensing range on white, 90 % remission

Connection type



Sensing range diagram



■ Operating distance ■ Sensing distance typ. max.

- ① Sensing distance on black, 6 % remission
- ② Sensing distance on gray, 18 % remission
- ③ Sensing distance on white, 90 % remission

Australia

Phone +61 3 9457 0600
1800 33 48 02 – tollfree
E-Mail sales@sick.com.au

Belgium/Luxembourg

Phone +32 (0)2 466 55 66
E-Mail info@sick.be

Brasil

Phone +55 11 3215-4900
E-Mail marketing@sick.com.br

Canada

Phone +1 905 771 14 44
E-Mail information@sick.com

Česká republika

Phone +420 2 57 91 18 50
E-Mail sick@sick.cz

China

Phone +86 4000 121 000
E-Mail info.china@sick.net.cn
Phone +852-2153 6300
E-Mail ghk@sick.com.hk

Danmark

Phone +45 45 82 64 00
E-Mail sick@sick.dk

Deutschland

Phone +49 211 5301-301
E-Mail info@sick.de

España

Phone +34 93 480 31 00
E-Mail info@sick.es

France

Phone +33 1 64 62 35 00
E-Mail info@sick.fr

Great Britain

Phone +44 (0)1727 831121
E-Mail info@sick.co.uk

India

Phone +91-22-4033 8333
E-Mail info@sick-india.com

Israel

Phone +972-4-6881000
E-Mail info@sick-sensors.com

Italia

Phone +39 02 27 43 41
E-Mail info@sick.it

Japan

Phone +81 (0)3 5309 2112
E-Mail support@sick.jp

Magyarország

Phone +36 1 371 2680
E-Mail office@sick.hu

Nederland

Phone +31 (0)30 229 25 44
E-Mail info@sick.nl

Norge

Phone +47 67 81 50 00
E-Mail sick@sick.no

Österreich

Phone +43 (0)22 36 62 28 8-0
E-Mail office@sick.at

Polska

Phone +48 22 837 40 50
E-Mail info@sick.pl

România

Phone +40 356 171 120
E-Mail office@sick.ro

Russia

Phone +7-495-775-05-30
E-Mail info@sick.ru

Schweiz

Phone +41 41 619 29 39
E-Mail contact@sick.ch

Singapore

Phone +65 6744 3732
E-Mail sales.gsg@sick.com

Slovenija

Phone +386 (0)1-47 69 990
E-Mail office@sick.si

South Africa

Phone +27 11 472 3733
E-Mail info@sickautomation.co.za

South Korea

Phone +82 2 786 6321/4
E-Mail info@sickkorea.net

Suomi

Phone +358-9-25 15 800
E-Mail sick@sick.fi

Sverige

Phone +46 10 110 10 00
E-Mail info@sick.se

Taiwan

Phone +886 2 2375-6288
E-Mail sales@sick.com.tw

Türkiye

Phone +90 (216) 528 50 00
E-Mail info@sick.com.tr

United Arab Emirates

Phone +971 (0) 4 88 65 878
E-Mail info@sick.ae

USA/México

Phone +1(952) 941-6780
1 (800) 325-7425 – tollfree
E-Mail info@sickusa.com

More representatives and agencies
at www.sick.com