



Temperature sensors

TCT-1AAS20253LZ



Model Name > [TCT-1AAS20253LZ](#)
Part No. > [6043288](#)



At a glance

- Pt100 element, accuracy class A according to IEC 60751
- Measuring ranges -50 °C ... 150 °C and -50 °C ... 250 °C
- Wetted parts made from corrosion resistant stainless steel 316L
- Integrated transmitter with output signal 4 ... 20 mA (2-wire)
- Measurement accuracy
- Various mechanical adaptations and insertion lengths, also available with thermowell
- Circular connector M12x1 (IP 67) or L-connector according to DIN EN 175301-803 A (IP 65)

Your benefits

- Reliable operation through rugged design and high-quality materials
- Good long-term stability, accuracy and linearity
- Quick and safe installation
- Convenient system integration through compact dimensions and industry-standard output signals
- Optimal solutions for individual requirements



Features

| | |
|--|--|
| Measuring range: | -50 °C ... 150 °C |
| Sensor element: | Pt100 |
| Signal output and maximum ohmic load RA: | 4 mA ... 20 mA, 2-wire (RA ≤ (L+ - 9 V)/0.023 A [Ohm]) |

Performance

| | |
|-----------------------------|--------------------------------|
| Accuracy of sensor element: | Class A according to IEC 60751 |
| Transmitter accuracy: | ≤ ± 0.2 % of span |
| Transmitter linearity: | ≤ 0.1 % of span |

Mechanics/electronics

| | |
|--|--|
| Process connection: | Compression fitting 1/2" NPT, CrNi stainless steel ferrule |
| Insertion length/diameter of probe: | 25 mm/3 mm |
| Housing material: | Stainless steel 1.4571 |
| Wetted parts: | Stainless steel 1.4571 |
| Electrical connection/enclosure rating ¹⁾ : | L-connector (DIN EN 175301-803 A), 4 pin, IP 65 |
| Measuring current: | 0.3 mA ... 1 mA |
| Electrical safety: | Protection class: III, dielectric strength: 500 V, reverse polarity protection: L+ towards M |

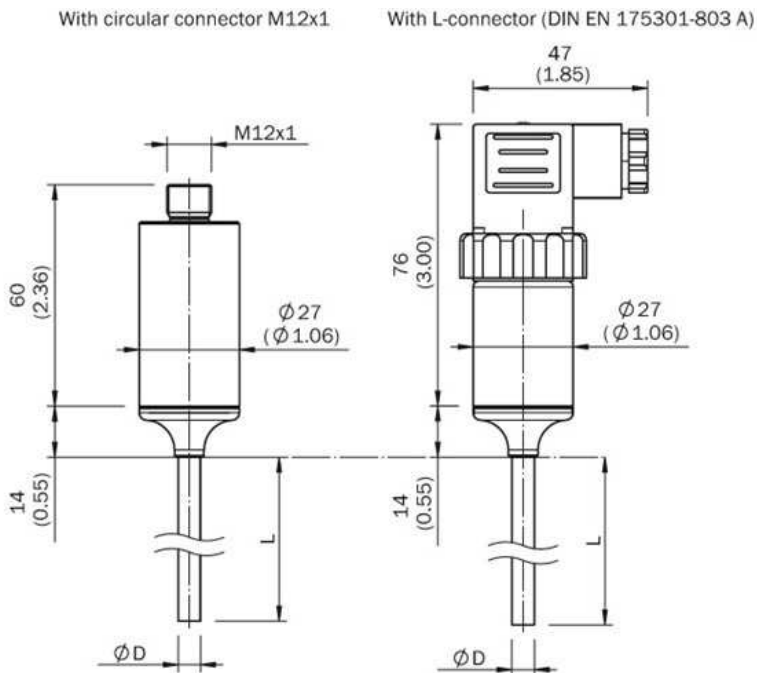
| | |
|-----------------------|---|
| Weight: | Ca. 145 g (depending on configuration) |
| Supply voltage: | 10 V DC ... 36 V DC for variant with transmitter 4 mA ... 20 mA |
| Protection class III: | ✓ |
| CE-conformity: | 2004/108/EC, EN 61326-2-3 |
| Pressure resistance: | Max. 100 bar with supplied compression fitting with stainless steel ferrule |

1) Enclosure rating IP per IEC 60529. The enclosure rating classes specified only apply while the pressure transmitter is connected with female connectors that provide the corresponding enclosure rating.

Ambient data

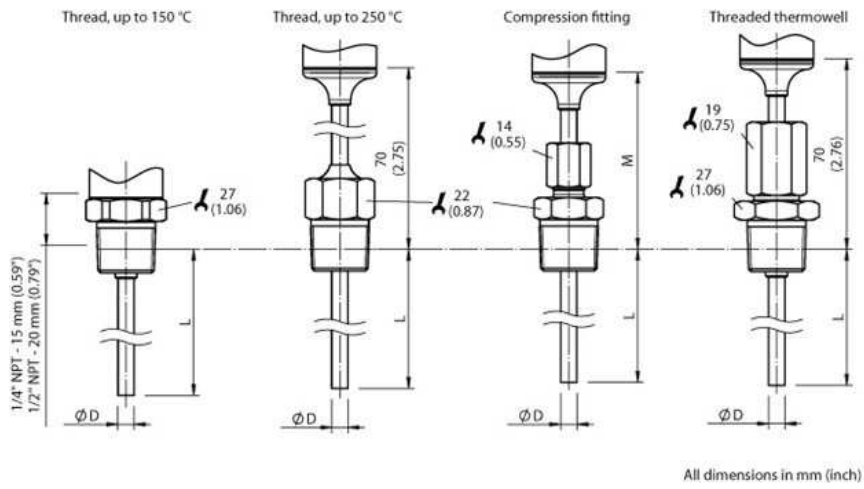
| | |
|--|------------------|
| Ambient temperature: | -40 °C ... 85 °C |
| Storage and transport temperature: | -40 °C ... 85 °C |
| Shock resistance according to IEC 60751: | 500 g |
| Vibration resistance according to IEC 60751: | 3 g |

Dimensional drawing housing

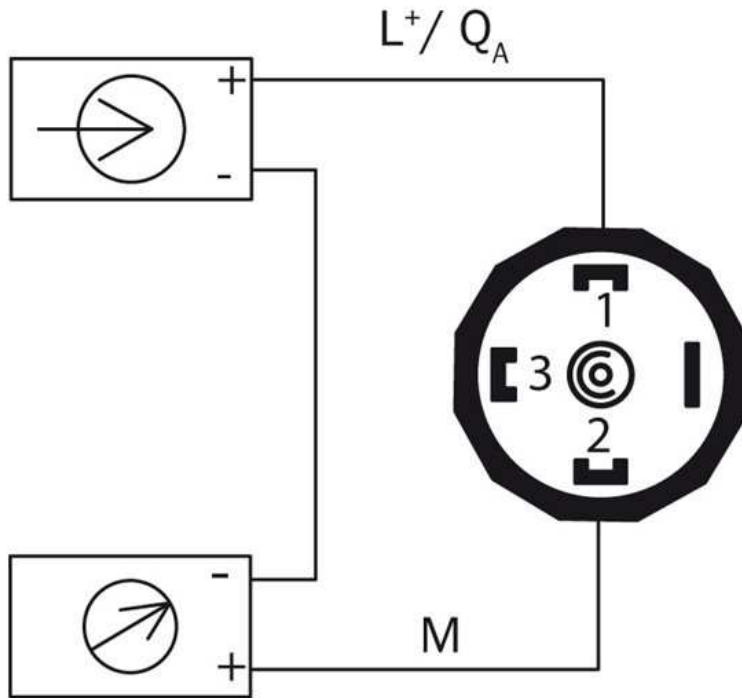


All dimensions in mm (inch)

Dimensional drawing process connection



Connection type



Australia

Phone +61 3 9457 0600
1800 33 48 02 – tollfree
E-Mail sales@sick.com.au

Belgium/Luxembourg

Phone +32 (0)2 466 55 66
E-Mail info@sick.be

Brasil

Phone +55 11 3215-4900
E-Mail marketing@sick.com.br

Canada

Phone +1 905 771 14 44
E-Mail information@sick.com

Česká republika

Phone +420 2 57 91 18 50
E-Mail sick@sick.cz

China

Phone +86 4000 121 000
E-Mail info.china@sick.net.cn
Phone +852-2153 6300
E-Mail ghk@sick.com.hk

Danmark

Phone +45 45 82 64 00
E-Mail sick@sick.dk

Deutschland

Phone +49 211 5301-301
E-Mail info@sick.de

España

Phone +34 93 480 31 00
E-Mail info@sick.es

France

Phone +33 1 64 62 35 00
E-Mail info@sick.fr

Great Britain

Phone +44 (0)1727 831121
E-Mail info@sick.co.uk

India

Phone +91-22-4033 8333
E-Mail info@sick-india.com

Israel

Phone +972-4-6881000
E-Mail info@sick-sensors.com

Italia

Phone +39 02 27 43 41
E-Mail info@sick.it

Japan

Phone +81 (0)3 5309 2112
E-Mail support@sick.jp

Magyarország

Phone +36 1 371 2680
E-Mail office@sick.hu

Nederland

Phone +31 (0)30 229 25 44
E-Mail info@sick.nl

Norge

Phone +47 67 81 50 00
E-Mail sick@sick.no

Österreich

Phone +43 (0)22 36 62 28 8-0
E-Mail office@sick.at

Polska

Phone +48 22 837 40 50
E-Mail info@sick.pl

România

Phone +40 356 171 120
E-Mail office@sick.ro

Russia

Phone +7-495-775-05-30
E-Mail info@sick.ru

Schweiz

Phone +41 41 619 29 39
E-Mail contact@sick.ch

Singapore

Phone +65 6744 3732
E-Mail sales.gsg@sick.com

Slovenija

Phone +386 (0)1-47 69 990
E-Mail office@sick.si

South Africa

Phone +27 11 472 3733
E-Mail info@sickautomation.co.za

South Korea

Phone +82 2 786 6321/4
E-Mail info@sickkorea.net

Suomi

Phone +358-9-25 15 800
E-Mail sick@sick.fi

Sverige

Phone +46 10 110 10 00
E-Mail info@sick.se

Taiwan

Phone +886 2 2375-6288
E-Mail sales@sick.com.tw

Türkiye

Phone +90 (216) 528 50 00
E-Mail info@sick.com.tr

United Arab Emirates

Phone +971 (0) 4 88 65 878
E-Mail info@sick.ae

USA/México

Phone +1(952) 941-6780
1 (800) 325-7425 – tollfree
E-Mail info@sickusa.com

More representatives and agencies
at www.sick.com