



## Temperature sensors

TCT-1ABT41006MZ



**Model Name** > [TCT-1ABT41006MZ](#)  
**Part No.** > [6043324](#)



### At a glance

- Pt100 element, accuracy class A according to IEC 60751
- Measuring ranges -50 °C ... 150 °C and -50 °C ... 250 °C
- Wetted parts made from corrosion resistant stainless steel 316L
- Integrated transmitter with output signal 4 ... 20 mA (2-wire)
- Measurement accuracy
- Various mechanical adaptations and insertion lengths, also available with thermowell
- Circular connector M12x1 (IP 67) or L-connector according to DIN EN 175301-803 A (IP 65)

### Your benefits

- Reliable operation through rugged design and high-quality materials
- Good long-term stability, accuracy and linearity
- Quick and safe installation
- Convenient system integration through compact dimensions and industry-standard output signals
- Optimal solutions for individual requirements



### Features

|  |  |
|--|--|
| Measuring range:                         | -50 °C ... 250 °C                                      |
| Sensor element:                          | Pt100  |
| Signal output and maximum ohmic load RA: | 4 mA ... 20 mA, 2-wire (RA ≤ (L+ - 9 V)/0.023 A [Ohm]) |

### Performance

|                             |                                |
|-----------------------------|--------------------------------|
| Accuracy of sensor element: | Class A according to IEC 60751 |
| Transmitter accuracy:       | ≤ ± 0.2 % of span              |
| Transmitter linearity:      | ≤ 0.1 % of span                |

### Mechanics/electronics

|  |  |
|--|--|
| Process connection:                                    | Thermowell 1/4" NPT  |
| Insertion length/diameter of probe:                    | 100 mm/6 mm  |
| Housing material:                                      | Stainless steel 1.4571   |
| Wetted parts:  | Stainless steel 1.4571   |
| Electrical connection/enclosure rating <sup>1)</sup> : | Plug M12 x 1, 4-pin, IP 67   |
| Measuring current:                                     | 0.3 mA ... 1 mA  |
| Electrical safety:                                     | Protection class: III, dielectric strength: 500 V, reverse polarity protection: L+ towards M |

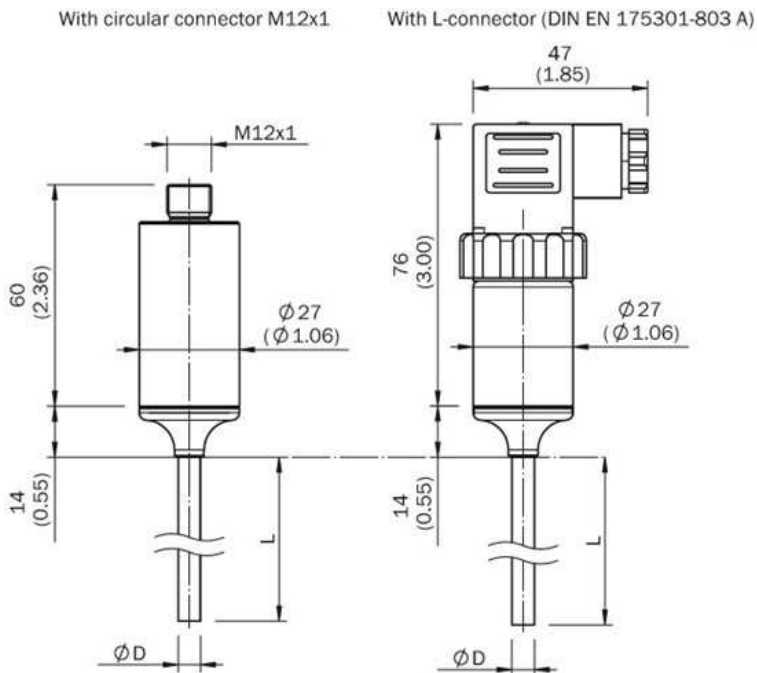
|                       |   |
|-----------------------|---|
| Weight:               | Ca. 145 g (depending on configuration)                          |
| Supply voltage:       | 10 V DC ... 36 V DC for variant with transmitter 4 mA ... 20 mA |
| Protection class III: | ✓   |
| CE-conformity:        | 2004/108/EC, EN 61326-2-3                                       |
| Pressure resistance:  | Max. 220 bar  |

1) Enclosure rating IP per IEC 60529. The enclosure rating classes specified only apply while the pressure transmitter is connected with female connectors that provide the corresponding enclosure rating.

### Ambient data

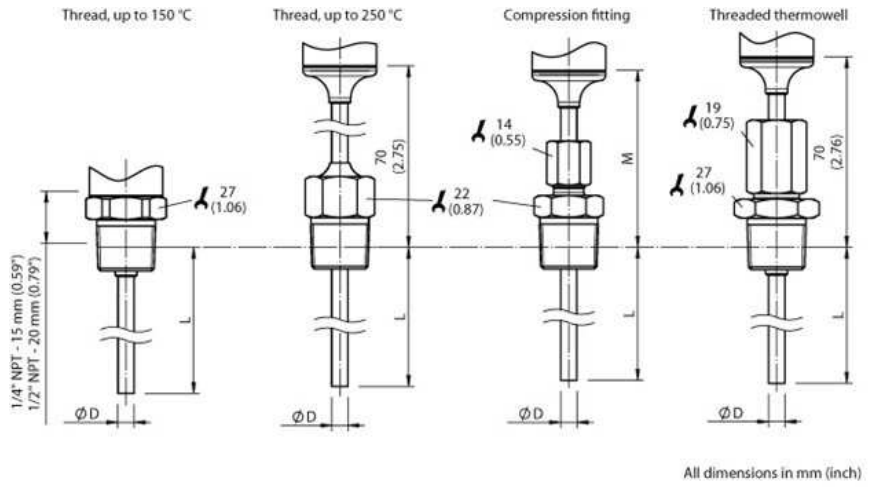
|  |                  |
|--|------------------|
| Ambient temperature:                         | -40 °C ... 85 °C |
| Storage and transport temperature:           | -40 °C ... 85 °C |
| Shock resistance according to IEC 60751:     | 500 g            |
| Vibration resistance according to IEC 60751: | 3 g              |

### Dimensional drawing housing



All dimensions in mm (inch)

**Dimensional drawing process connection**



**Australia**

Phone +61 3 9457 0600  
1800 33 48 02 – tollfree  
E-Mail sales@sick.com.au

**Belgium/Luxembourg**

Phone +32 (0)2 466 55 66  
E-Mail info@sick.be

**Brasil**

Phone +55 11 3215-4900  
E-Mail marketing@sick.com.br

**Canada**

Phone +1 905 771 14 44  
E-Mail information@sick.com

**Česká republika**

Phone +420 2 57 91 18 50  
E-Mail sick@sick.cz

**China**

Phone +86 4000 121 000  
E-Mail info.china@sick.net.cn  
Phone +852-2153 6300  
E-Mail ghk@sick.com.hk

**Danmark**

Phone +45 45 82 64 00  
E-Mail sick@sick.dk

**Deutschland**

Phone +49 211 5301-301  
E-Mail info@sick.de

**España**

Phone +34 93 480 31 00  
E-Mail info@sick.es

**France**

Phone +33 1 64 62 35 00  
E-Mail info@sick.fr

**Great Britain**

Phone +44 (0)1727 831121  
E-Mail info@sick.co.uk

**India**

Phone +91-22-4033 8333  
E-Mail info@sick-india.com

**Israel**

Phone +972-4-6881000  
E-Mail info@sick-sensors.com

**Italia**

Phone +39 02 27 43 41  
E-Mail info@sick.it

**Japan**

Phone +81 (0)3 5309 2112  
E-Mail support@sick.jp

**Magyarország**

Phone +36 1 371 2680  
E-Mail office@sick.hu

**Nederland**

Phone +31 (0)30 229 25 44  
E-Mail info@sick.nl

**Norge**

Phone +47 67 81 50 00  
E-Mail sick@sick.no

**Österreich**

Phone +43 (0)22 36 62 28 8-0  
E-Mail office@sick.at

**Polska**

Phone +48 22 837 40 50  
E-Mail info@sick.pl

**România**

Phone +40 356 171 120  
E-Mail office@sick.ro

**Russia**

Phone +7-495-775-05-30  
E-Mail info@sick.ru

**Schweiz**

Phone +41 41 619 29 39  
E-Mail contact@sick.ch

**Singapore**

Phone +65 6744 3732  
E-Mail sales.gsg@sick.com

**Slovenija**

Phone +386 (0)1-47 69 990  
E-Mail office@sick.si

**South Africa**

Phone +27 11 472 3733  
E-Mail info@sickautomation.co.za

**South Korea**

Phone +82 2 786 6321/4  
E-Mail info@sickkorea.net

**Suomi**

Phone +358-9-25 15 800  
E-Mail sick@sick.fi

**Sverige**

Phone +46 10 110 10 00  
E-Mail info@sick.se

**Taiwan**

Phone +886 2 2375-6288  
E-Mail sales@sick.com.tw

**Türkiye**

Phone +90 (216) 528 50 00  
E-Mail info@sick.com.tr

**United Arab Emirates**

Phone +971 (0) 4 88 65 878  
E-Mail info@sick.ae

**USA/México**

Phone +1(952) 941-6780  
1 (800) 325-7425 – tollfree  
E-Mail info@sickusa.com

More representatives and agencies  
at [www.sick.com](http://www.sick.com)