



Pressure sensors  
Pressure transmitter

PBT-RB4X0SG1SSFVLC0Z



**Model Name** > [PBT-RB4X0SG1SSFVLC0Z](#)  
**Part No.** > [6044116](#)



*Illustration may differ*

**At a glance**

- Gauge pressure measurement ranges from 0 ... 1 bar up to 0 ... 600 bar
- A large variety of available process connections
- No moving parts: No mechanical wear, fatigue-proof, maintenance-free
- Circularly welded, hermetically sealed stainless steel membrane
- Output signal 4 ... 20 mA, 0 ... 5 V or 0 ... 10 V
- Electrical connection M12x1, L-connector acc. to DIN 175301-803 A or flying leads

**Your benefits**

- Compact size takes up less space
- Simple and cost-saving installation
- Available in a wide selection of configurations, enabling a perfect match to individual customer requirements
- Robust design enables higher reliability
- Excellent price/performance ratio



**Features**

|                      |   |
|----------------------|---|
| Pressure type:       | Gauge pressure                            |
| Measuring range:     | 0 bar ... 4 bar                           |
| Process temperature: | 0 °C ... +80 °C                           |
| Output signal:       | 0...10 V, 3-wire                          |
| Gauge pressure:      | 0 bar ... 1 bar up to bar ... 600 bar     |
| Absolute pressure:   | 0 bar ... 1 bar up to 0 bar ... 25 bar    |
| Compound pressure:   | -1 bar ... 0 bar up to -1 bar ... +24 bar |
| Medium:              | Liquid and gaseous media                  |

**Performance**

|                                     |  |
|-------------------------------------|--|
| Accuracy:                           | ≤ ± 0,6 % of Span (with non-linearity 0.25 % and with signal output 0 ... 5 V), ≤ ± 1 % of span (with non-linearity 0.25 %), ≤ ± 1,0 % of Span (with non-linearity 0.5 %), (Including non-linearity, hysteresis, zero point and full scale error (corresponds to error of measurement according to IEC 61298-2)) |
| Non-linearity:                      | ≤ ± 0.5 % ((Best Fit Straight Line, BFSL) according to IEC 61298-2)  |
| Response time:                      | < 4 ms   |
| Long-term drift/one-year stability: | ≤ 0.1 % of span according to IEC 61298-2   |
| Rated temperature range:            | 0 °C ... +80 °C  |
| Service life:                       | Minimum 100 Mio. life cycles   |
| Non-repeatability:                  | ≤ 0.1 % of span  |

|                                     |   |
|-------------------------------------|---|
| Hysteresis:                         | ≤ 0.16 % of span  |
| Signal noise:                       | ≤ 0.3 % of span   |
| Adjustment accuracy of zero signal: | ≤ 0.5 % of span typ., ≤ 0.8 % of span max. (with non-linearity 0.5 %) |

### Mechanics/electronics

---

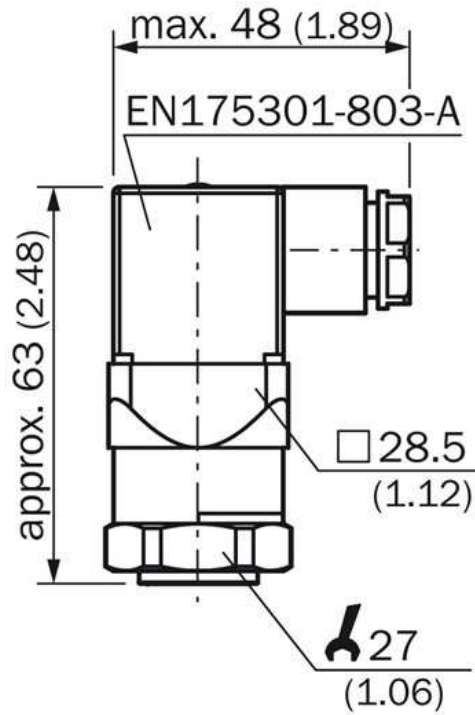
|                              |  |
|------------------------------|--|
| Process connection:          | G ¼ A according to DIN 3852-E  |
| Wetted parts:                | Pressure connection: stainless steel 316L, Pressure sensor: stainless steel 316L (for measurement ranges from 0 bar ... 10 bar rel stainless steel 13-8 PH)            |
| Seal:                        | FPM/FKM  |
| Pressure port:               | Standard   |
| Housing material:            | Stainless steel 316L   |
| Enclosure rating:            | IP 65  |
| Electrical connection:       | L-connector acc. to DIN 175301-803 A, IP 65  |
| Power consumption:           | Max. 8 mA for voltage output signal, Signal current (max. 25 mA) for current output  |
| Electrical safety:           | Short-circuit protection: QA towards M, Protection class: III, Overvoltage protection: 32 V DC, 36 V DC with 4 mA ... 20 mA, Reverse polarity protection: L+ towards M |
| Protection class III:        | ✓  |
| Weight sensor:               | Ca. 80 g   |
| Internal transmission fluid: | Silicone oil (only with pressure ranges < 0 bar ... 10 bar and ≤ 0 bar abs ... 25 bar abs)   |
| Isolation voltage:           | 500 V DC   |
| CE-conformity:               | Pressure equipment directive: 97/23/EC, EMC directive: 2004/108/EC, EN 61 326-2-3  |
| Reference conditions:        | Reference conditions: According to IEC 61298-1   |

### Ambient data

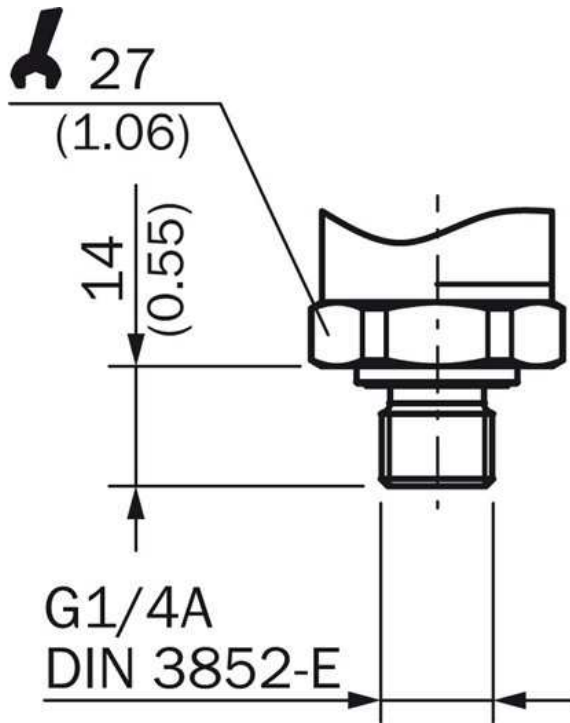
---

|                      |  |
|----------------------|--|
| Storage temperature: | -20 °C ... +80 °C  |
| Ambient temperature: | 0 °C ... +80 °C  |
| Shock load:          | 500 g according to IEC 60068-2-27 (mechanical shock)                       |
| Vibration load:      | 10 g according to IEC 60068-2-6 (vibration under resonance), 20 g optional |
| Relative humidity:   | 45 % ... 75 %  |

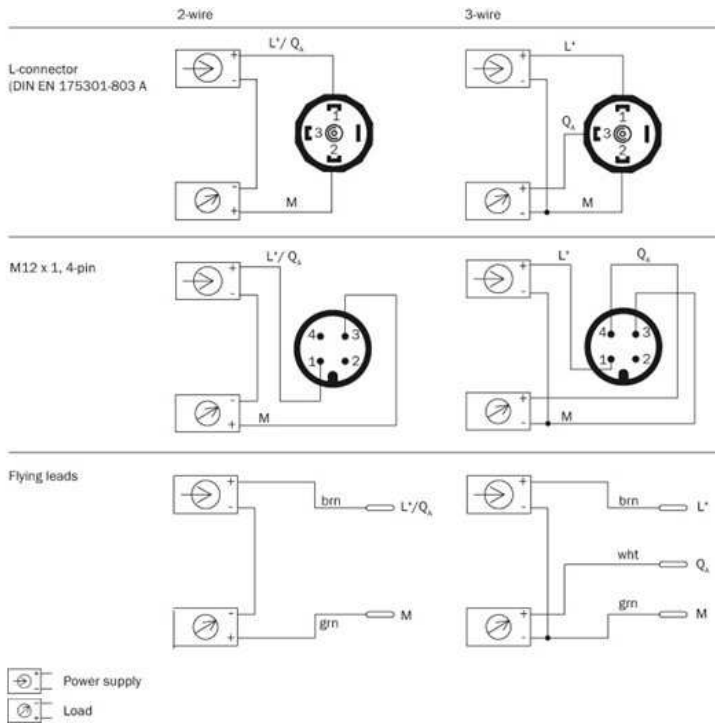
Dimensional drawing housing



Dimensional drawing process connection



# Connection type



**Australia**

Phone +61 3 9457 0600  
1800 33 48 02 – tollfree  
E-Mail sales@sick.com.au

**Belgium/Luxembourg**

Phone +32 (0)2 466 55 66  
E-Mail info@sick.be

**Brasil**

Phone +55 11 3215-4900  
E-Mail marketing@sick.com.br

**Canada**

Phone +1 905 771 14 44  
E-Mail information@sick.com

**Česká republika**

Phone +420 2 57 91 18 50  
E-Mail sick@sick.cz

**China**

Phone +86 4000 121 000  
E-Mail info.china@sick.net.cn  
Phone +852-2153 6300  
E-Mail ghk@sick.com.hk

**Danmark**

Phone +45 45 82 64 00  
E-Mail sick@sick.dk

**Deutschland**

Phone +49 211 5301-301  
E-Mail info@sick.de

**España**

Phone +34 93 480 31 00  
E-Mail info@sick.es

**France**

Phone +33 1 64 62 35 00  
E-Mail info@sick.fr

**Great Britain**

Phone +44 (0)1727 831121  
E-Mail info@sick.co.uk

**India**

Phone +91-22-4033 8333  
E-Mail info@sick-india.com

**Israel**

Phone +972-4-6881000  
E-Mail info@sick-sensors.com

**Italia**

Phone +39 02 27 43 41  
E-Mail info@sick.it

**Japan**

Phone +81 (0)3 5309 2112  
E-Mail support@sick.jp

**Magyarország**

Phone +36 1 371 2680  
E-Mail office@sick.hu

**Nederland**

Phone +31 (0)30 229 25 44  
E-Mail info@sick.nl

**Norge**

Phone +47 67 81 50 00  
E-Mail sick@sick.no

**Österreich**

Phone +43 (0)22 36 62 28 8-0  
E-Mail office@sick.at

**Polska**

Phone +48 22 837 40 50  
E-Mail info@sick.pl

**România**

Phone +40 356 171 120  
E-Mail office@sick.ro

**Russia**

Phone +7-495-775-05-30  
E-Mail info@sick.ru

**Schweiz**

Phone +41 41 619 29 39  
E-Mail contact@sick.ch

**Singapore**

Phone +65 6744 3732  
E-Mail sales.gsg@sick.com

**Slovenija**

Phone +386 (0)1-47 69 990  
E-Mail office@sick.si

**South Africa**

Phone +27 11 472 3733  
E-Mail info@sickautomation.co.za

**South Korea**

Phone +82 2 786 6321/4  
E-Mail info@sickkorea.net

**Suomi**

Phone +358-9-25 15 800  
E-Mail sick@sick.fi

**Sverige**

Phone +46 10 110 10 00  
E-Mail info@sick.se

**Taiwan**

Phone +886 2 2375-6288  
E-Mail sales@sick.com.tw

**Türkiye**

Phone +90 (216) 528 50 00  
E-Mail info@sick.com.tr

**United Arab Emirates**

Phone +971 (0) 4 88 65 878  
E-Mail info@sick.ae

**USA/México**

Phone +1(952) 941-6780  
1 (800) 325-7425 – tollfree  
E-Mail info@sickusa.com

More representatives and agencies  
at [www.sick.com](http://www.sick.com)