



Photoelectric sensors  
W280-2, Through-beam photoelectric sensor

WSE280-2H1631



**Model Name** > [WSE280-2H1631](#)  
**Part No.** > [6044749](#)



*Illustration may differ*

**At a glance**

- Highly visible red light spot thanks to the BrightLight LED
- Large sensing range and high operating reserve
- Light/dark switching (DC devices only)
- Rotatable connector, cable connection or terminal chamber
- Versions for 10 - 30 V DC or 24 - 240 V DC/AC voltage supply
- Stainless steel mounting bracket (1.4301) is included in delivery
- AC/DC devices (-2Hxxxx) are compliant with EN 61000-6-3 (electromagnetic interference for "residential, commercial and light-industrial environments")

**Your benefits**

- Less contamination due to high operating reserves, reducing downtime
- DC and AC/DC devices available in the same housing allow electrical flexibility
- Light/dark switching provides application flexibility and reduces the number of devices needed
- All necessary mounting and operating accessories are included in delivery, enabling quick and easy setup: since mounting bracket (stainless steel 1.4301) is included in delivery scope



**Features**

Sensor/detection principle:	Through-beam photoelectric sensor
Dimensions (W x H x D):	23.5 mm x 74.5 mm x 63 mm
Housing design (light emission):	Rectangular
Sensing range max.:	0 m ... 60 m
Sensing range:	0 m ... 50 m
Type of light:	Visible red light
Light source:	LED <sup>1)</sup>
Adjustment:	Potentiometer
Light spot size (distance):	Ø 0.6 m (20 m)

<sup>1)</sup> Average service life: 100,000 h at T<sub>U</sub> = +25 °C

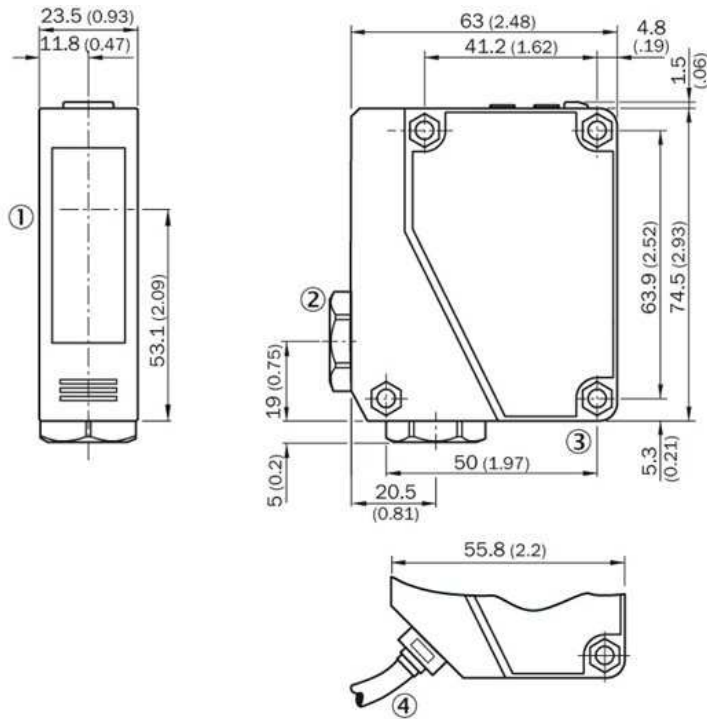
**Mechanics/electronics**

Supply voltage::	24 V AC ... 240 V AC, 24 V DC ... 240 V DC <sup>1) 2)</sup>
Power consumption, sender:	≤ 3.5 VA
Power consumption, receiver:	≤ 3.5 VA
Output type:	Relay, electrically isolated <sup>3)</sup>
Output function:	Change-over contacts

Switching mode:	Light switching <sup>4)</sup>
Switching current (switching voltage):	3 A (240 V AC), 3 A (30 V DC)
Response time:	≤ 15 ms
Switching frequency:	33 Hz <sup>5)</sup>
Electrical connection:	Cable, 5-wire, 5 m <sup>6)</sup>
Conductor cross-section:	0.76 mm <sup>2</sup>
Circuit protection:	A, C <sup>7) 8)</sup>
Protection class:	II <sup>9)</sup>
Overvoltage category:	2
Weight:	300 g
Interference emission:	EN 61000-6-3 (only -2Hxxxx) <sup>10)</sup>
Special device:	-
Optics material:	PMMA
Enclosure rating:	IP 66 IP 67
Items supplied:	Mounting bracket BEF-W280
Usage category:	AC-15, DC-13, According to EN 60947-1
EMC:	EN 60947-5-2 <sup>11)</sup>
Ambient temperature operation:	-25 °C ... +55 °C
Ambient storage temperature:	-40 °C ... +70 °C
Housing material:	ABS, Plastic

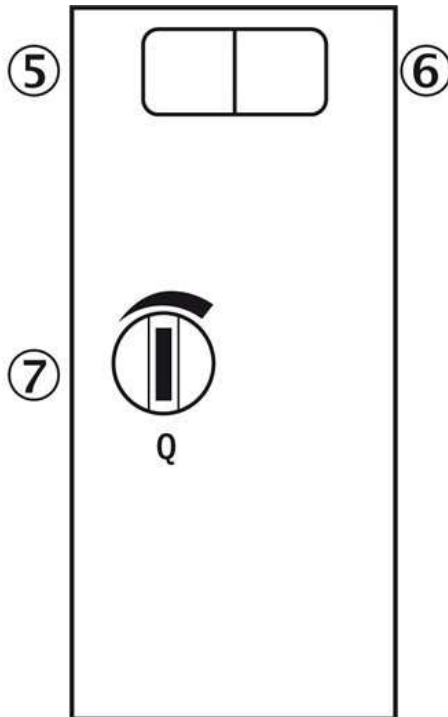
1) 2) ±10 % 3) 4) Provide suitable spark suppression for inductive or capacitive loads <sup>5)</sup> With light/dark ratio 1:1 <sup>6)</sup> Do not bend below 0 °C <sup>7)</sup> A = V<sub>S</sub> connections reverse-polarity protected <sup>8)</sup> C = interference suppression <sup>9)</sup> Rated voltage: 250 V AC/DC <sup>10)</sup> In the case of a DC supply (relating to EN 61000-6-3) the length of cable between the supply source and the sensor must be < 30 m <sup>11)</sup> The AC/DC devices meet the interference suppression requirements for industrial use (interference suppression class A). When used in residential areas it can cause interference.

## Dimensional drawing



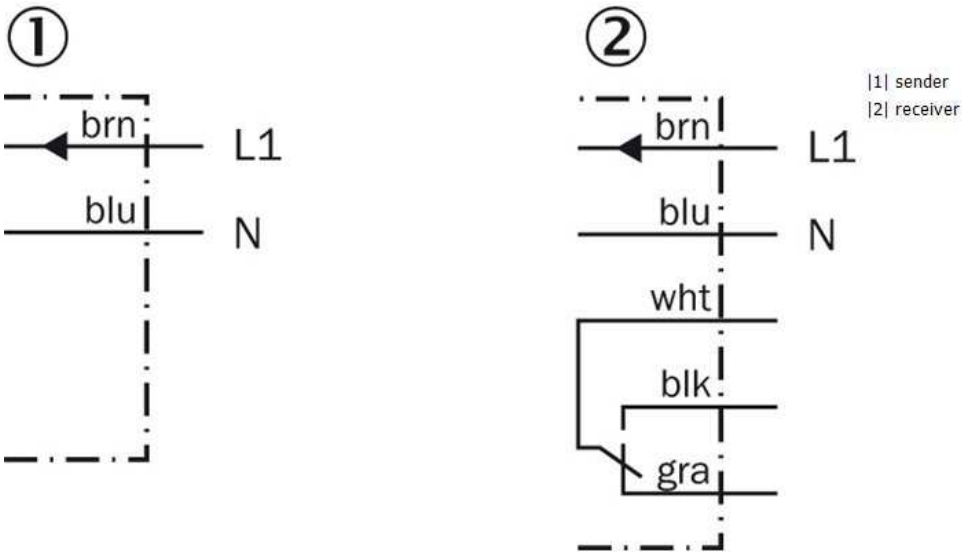
- |1| Center of optical axis, sender and receiver
- |2| Cable entry gland 3/8" for cable diameter 6 to 8 mm
- |3| Mounting hole, Ø 4.3 mm
- |4| Cable, 2 m, 5-wire, Ø 6.3 mm

## Adjustments possible

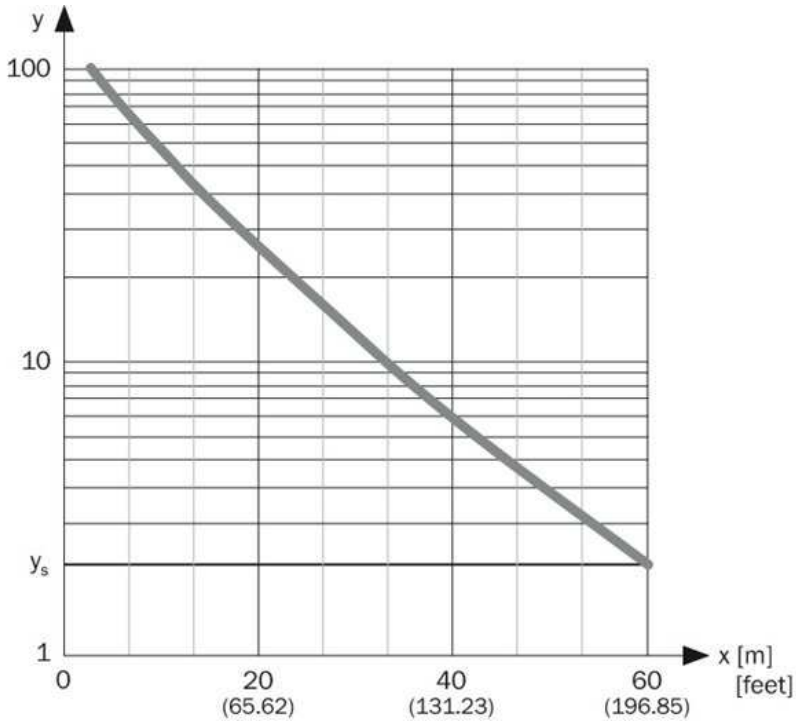


- |5| LED indicator green: Stability indicator
- |6| Status indicator LED, yellow: Status of received light beam (only receiver WE)
- |7| Sensitivity adjustment: Potentiometer (only receiver WE)

Connection diagram

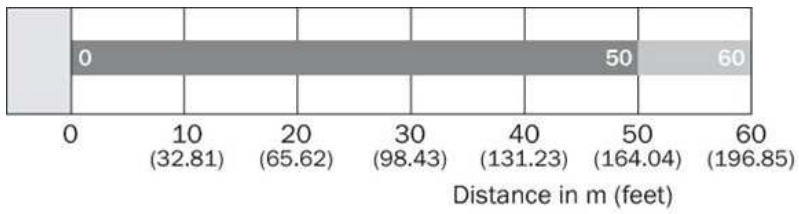


Characteristic curve



## Sensing range diagram

---



■ Operating range      ■ Sensing range typ. max.

**Australia**

Phone +61 3 9457 0600  
1800 33 48 02 – tollfree  
E-Mail sales@sick.com.au

**Belgium/Luxembourg**

Phone +32 (0)2 466 55 66  
E-Mail info@sick.be

**Brasil**

Phone +55 11 3215-4900  
E-Mail marketing@sick.com.br

**Canada**

Phone +1 905 771 14 44  
E-Mail information@sick.com

**Česká republika**

Phone +420 2 57 91 18 50  
E-Mail sick@sick.cz

**China**

Phone +86 4000 121 000  
E-Mail info.china@sick.net.cn  
Phone +852-2153 6300  
E-Mail ghk@sick.com.hk

**Danmark**

Phone +45 45 82 64 00  
E-Mail sick@sick.dk

**Deutschland**

Phone +49 211 5301-301  
E-Mail info@sick.de

**España**

Phone +34 93 480 31 00  
E-Mail info@sick.es

**France**

Phone +33 1 64 62 35 00  
E-Mail info@sick.fr

**Great Britain**

Phone +44 (0)1727 831121  
E-Mail info@sick.co.uk

**India**

Phone +91-22-4033 8333  
E-Mail info@sick-india.com

**Israel**

Phone +972-4-6881000  
E-Mail info@sick-sensors.com

**Italia**

Phone +39 02 27 43 41  
E-Mail info@sick.it

**Japan**

Phone +81 (0)3 5309 2112  
E-Mail support@sick.jp

**Magyarország**

Phone +36 1 371 2680  
E-Mail office@sick.hu

**Nederland**

Phone +31 (0)30 229 25 44  
E-Mail info@sick.nl

**Norge**

Phone +47 67 81 50 00  
E-Mail sick@sick.no

**Österreich**

Phone +43 (0)22 36 62 28 8-0  
E-Mail office@sick.at

**Polska**

Phone +48 22 837 40 50  
E-Mail info@sick.pl

**România**

Phone +40 356 171 120  
E-Mail office@sick.ro

**Russia**

Phone +7-495-775-05-30  
E-Mail info@sick.ru

**Schweiz**

Phone +41 41 619 29 39  
E-Mail contact@sick.ch

**Singapore**

Phone +65 6744 3732  
E-Mail sales.gsg@sick.com

**Slovenija**

Phone +386 (0)1-47 69 990  
E-Mail office@sick.si

**South Africa**

Phone +27 11 472 3733  
E-Mail info@sickautomation.co.za

**South Korea**

Phone +82 2 786 6321/4  
E-Mail info@sickkorea.net

**Suomi**

Phone +358-9-25 15 800  
E-Mail sick@sick.fi

**Sverige**

Phone +46 10 110 10 00  
E-Mail info@sick.se

**Taiwan**

Phone +886 2 2375-6288  
E-Mail sales@sick.com.tw

**Türkiye**

Phone +90 (216) 528 50 00  
E-Mail info@sick.com.tr

**United Arab Emirates**

Phone +971 (0) 4 88 65 878  
E-Mail info@sick.ae

**USA/México**

Phone +1(952) 941-6780  
1 (800) 325-7425 – tollfree  
E-Mail info@sickusa.com

More representatives and agencies  
at [www.sick.com](http://www.sick.com)