



Safety controllers  
Motion Control module, Standstill Monitor

MOC3ZA-KAZ33A3



**Model Name** > [MOC3ZA-KAZ33A3](#)  
**Part No.** > [6044982](#)



**At a glance**

- Standstill monitoring by means of residual voltage measurement
- 3 normally open and 1 normally closed positively guided safety contacts
- 2 application diagnostic outputs for semiconductors
- 1 application diagnostic output normally open
- PL e (EN ISO 13849), SIL3 (IEC 61508), SILCL 3 (EN 62061)
- Maximum motor supply voltage 690 V
- Adjustable voltage threshold and standstill period

**Your benefits**

- Quick mounting and installation thanks to the lack of additional wiring requirements
- Simple commissioning with a screwdriver
- Easy to retrofit as the subsequent mounting of sensors is not necessary



**Safety-related parameters**

Safety integrity level:	SIL3 (IEC 61508) SILCL3 (EN 62061)
Category:	Category 4 (EN ISO 13849-1)
Performance level:	PL e (EN ISO 13849-1)
PFHd:	41 * 1E-09 (EN ISO 13849)
TM (mission time):	20 a (EN ISO 13849)
Safe state in the event of a fault:	The N/O is open; in other words, the safety-related enabling current paths are interrupted.
Stop category:	1 (EN 60204-1)

**Functions**

Standstill:	✓
-------------	---

**Mechanical data**

Dimensions (W x H x D):	45 mm x 112 mm x 121 mm
Weight:	400 g
Mounting:	35 mm mounting rail according to EN 60715

**Electrical data**

Mechanical life:	≥ 50 * 1E 06 switching operations
Contact configuration (safety contacts):	3 contacts NO, 1 contact NC

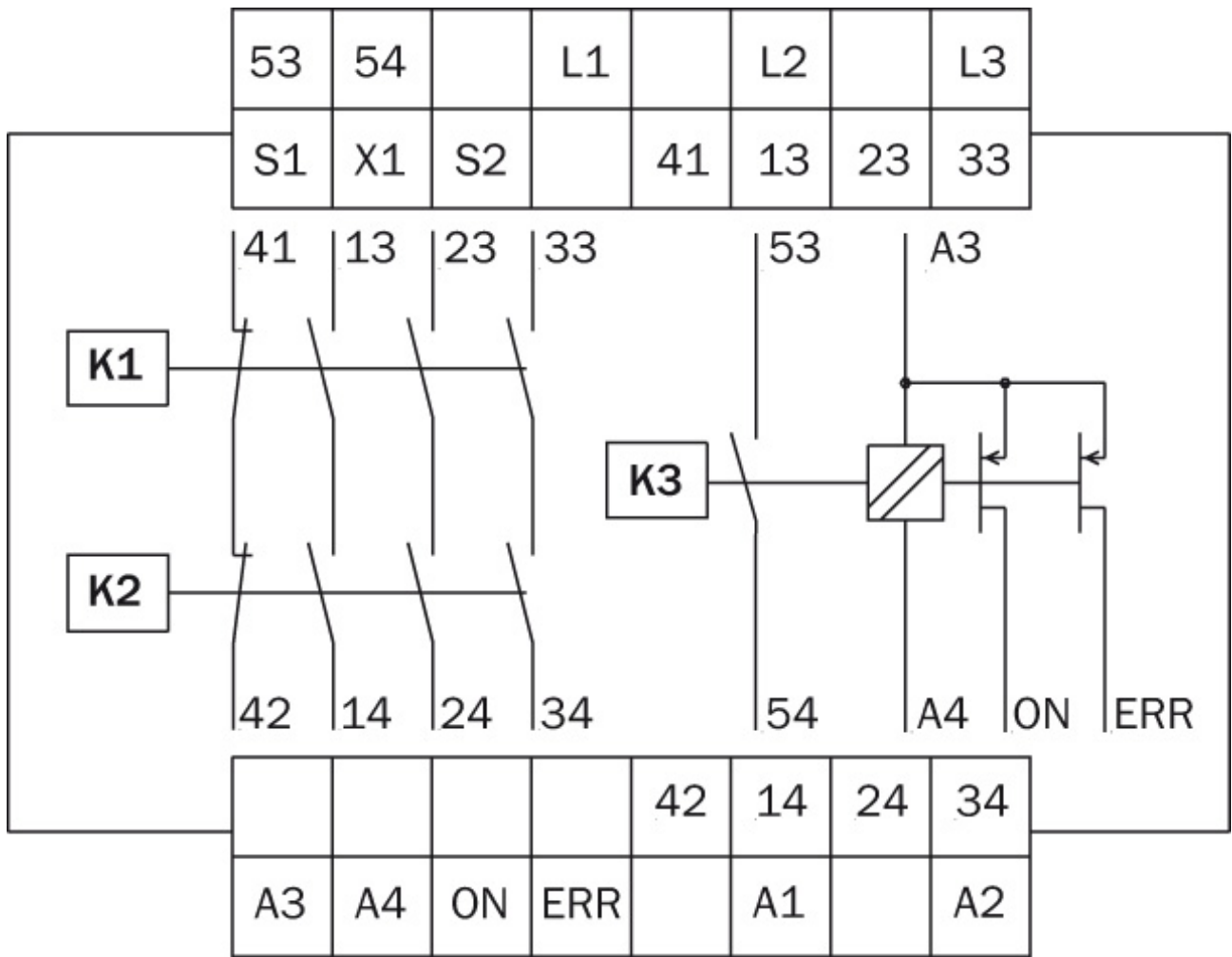
Power consumption:	6 VA
Supply voltage semiconductor diagnostic outputs (A3/A4):	24 V DC (11 V DC ... 30 V DC)
Measurement inputs:	L1/L2/L3
Measured/motor voltage:	690 V AC
For UL 508 applications only:	600 V AC
Voltage threshold Uan:	20 mV ... 400 mV, adjustable
Standstill time ts:	0.2 s ... 6 s, adjustable
Hysteresis (for detection of running motor):	100 %
Response time:	100 ms
Positively guided N/C contacts:	Normally closed contact (41/42)
Contact type:	Relay, positively guided
Nominal switching voltage:	250 V AC
Switching capacity in accordance with AC 15:	N/C: 2 A/230 V AC (EN 60947-5-1), N/O: 3 A/230 V AC (EN 60947-5-1)
Switching capacity in accordance with DC 13:	2 A/24 V DC (EN 60947-5-1)
Maximum switching frequency:	1,200 /h
Contact service life at 230 V/5 A (AC) $\cos \varphi = 0.5$ :	$\geq 2 * 1E 05$ switching operations
Semiconductor application diagnostics outputs (ON, ERR):	Electrically isolated supply via A3/A4, I <sub>max</sub> = 100 mA (short-circuit protected), ON for Release, ERR for Error
Signal contacts 53/54 (normally open contact):	3 A/250 V AC G. P.
Safety outputs:	Normally open contact (13/14, 23/24, 33/34)

---

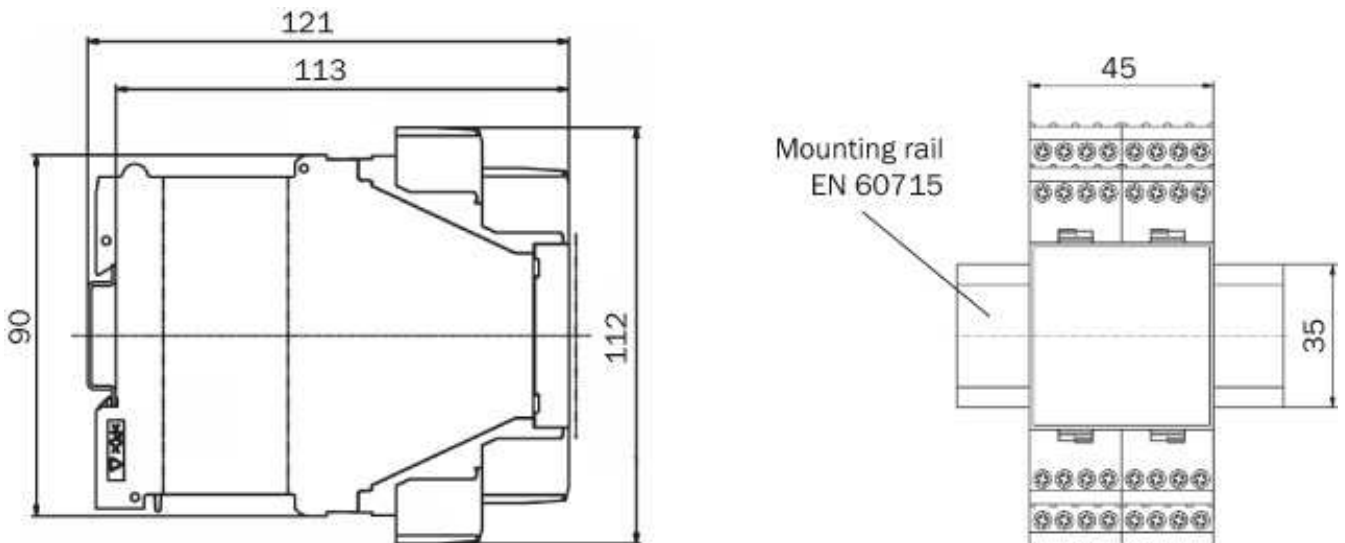
#### Ambient data

Protection class housing:	IP 40
Enclosure rating terminals:	IP 20
Climate conditions according to:	25/060/04 (EN 60068-1)
Vibration resistance:	(EN 60068-2-6)

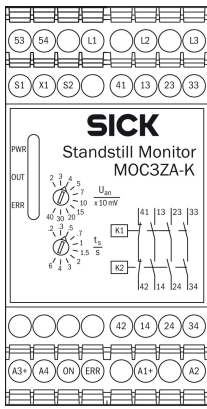
Connection diagram



Dimensional drawing



# Device overview and connections



**Australia**

Phone +61 3 9457 0600  
1800 33 48 02 – tollfree  
E-Mail sales@sick.com.au

**Belgium/Luxembourg**

Phone +32 (0)2 466 55 66  
E-Mail info@sick.be

**Brasil**

Phone +55 11 3215-4900  
E-Mail marketing@sick.com.br

**Canada**

Phone +1 905 771 14 44  
E-Mail information@sick.com

**Česká republika**

Phone +420 2 57 91 18 50  
E-Mail sick@sick.cz

**China**

Phone +86 4000 121 000  
E-Mail info.china@sick.net.cn  
Phone +852-2153 6300  
E-Mail ghk@sick.com.hk

**Danmark**

Phone +45 45 82 64 00  
E-Mail sick@sick.dk

**Deutschland**

Phone +49 211 5301-301  
E-Mail info@sick.de

**España**

Phone +34 93 480 31 00  
E-Mail info@sick.es

**France**

Phone +33 1 64 62 35 00  
E-Mail info@sick.fr

**Great Britain**

Phone +44 (0)1727 831121  
E-Mail info@sick.co.uk

**India**

Phone +91-22-4033 8333  
E-Mail info@sick-india.com

**Israel**

Phone +972-4-6881000  
E-Mail info@sick-sensors.com

**Italia**

Phone +39 02 27 43 41  
E-Mail info@sick.it

**Japan**

Phone +81 (0)3 5309 2112  
E-Mail support@sick.jp

**Magyarország**

Phone +36 1 371 2680  
E-Mail office@sick.hu

**Nederland**

Phone +31 (0)30 229 25 44  
E-Mail info@sick.nl

**Norge**

Phone +47 67 81 50 00  
E-Mail sick@sick.no

**Österreich**

Phone +43 (0)22 36 62 28 8-0  
E-Mail office@sick.at

**Polska**

Phone +48 22 837 40 50  
E-Mail info@sick.pl

**România**

Phone +40 356 171 120  
E-Mail office@sick.ro

**Russia**

Phone +7-495-775-05-30  
E-Mail info@sick.ru

**Schweiz**

Phone +41 41 619 29 39  
E-Mail contact@sick.ch

**Singapore**

Phone +65 6744 3732  
E-Mail sales.gsg@sick.com

**Slovenija**

Phone +386 (0)1-47 69 990  
E-Mail office@sick.si

**South Africa**

Phone +27 11 472 3733  
E-Mail info@sickautomation.co.za

**South Korea**

Phone +82 2 786 6321/4  
E-Mail info@sickkorea.net

**Suomi**

Phone +358-9-25 15 800  
E-Mail sick@sick.fi

**Sverige**

Phone +46 10 110 10 00  
E-Mail info@sick.se

**Taiwan**

Phone +886 2 2375-6288  
E-Mail sales@sick.com.tw

**Türkiye**

Phone +90 (216) 528 50 00  
E-Mail info@sick.com.tr

**United Arab Emirates**

Phone +971 (0) 4 88 65 878  
E-Mail info@sick.ae

**USA/México**

Phone +1(952) 941-6780  
1 (800) 325-7425 – tollfree  
E-Mail info@sickusa.com

More representatives and agencies  
at [www.sick.com](http://www.sick.com)