



Photoelectric sensors
W280L-2 Long Range, Photoelectric proximity
sensor, Background suppression

WTT280L-2N2536



Photoelectric sensors
W280L-2 Long Range, Photoelectric proximity sensor,
Background suppression

Model Name > [WTT280L-2N2536](#)
Part No. > [6048064](#)



Illustration may differ

At a glance

- WTT280L-2 Long Range: Background suppression sensing distance up to 4 m
- Complete background suppression: very small black/white shift, insensitive against reflections from the background (e.g. shiny metal, window, safety vest)
- Ignores cross talk from adjacent sensors
- Visible red Class 1 laser
- Version 1: with 1 x switching output and light/dark switch, Version 2: with 2 x switching outputs and light/dark switch
- Reliable detection also in very fast production processes thanks to the switching frequency of 1,000 Hz
- Disable laser by wire

Your benefits

- Reliable target detection with difficult target colors, angles and color transitions (black/white shift)
- One sensor with two outputs and two status LEDs improves application flexibility and reduces the number of sensors needed
- Quick and easy commissioning with sensing range adjustment potentiometers and status LEDs - one for each output
- Quick and easy alignment with a red Class 1 laser
- Rotatable connector and light/dark switch for mounting and installation flexibility



Features

Sensor/detection principle:	Photoelectric proximity sensor, Background suppression
Dimensions (W x H x D):	23.5 mm x 76 mm x 55.8 mm
Housing design (light emission):	Rectangular
Sensing range max.:	200 mm ... 3,000 mm, 200 mm ... 4,000 mm ^{1) 2)}
Type of light:	Visible red light
Light source:	Laser ³⁾
Laser class:	1, 1 (EN 60825-1:2008-5, IEC 60825-1:2007-03)
Adjustment:	Potentiometer
Light spot size (distance):	Ø 12 mm (3 m)

¹⁾ Object with 90 % reflectance (referred to standard white, DIN 5033) ²⁾ Objects to be sensed with 6 % reflectivity (based on black) ³⁾ Average service life of 100,000

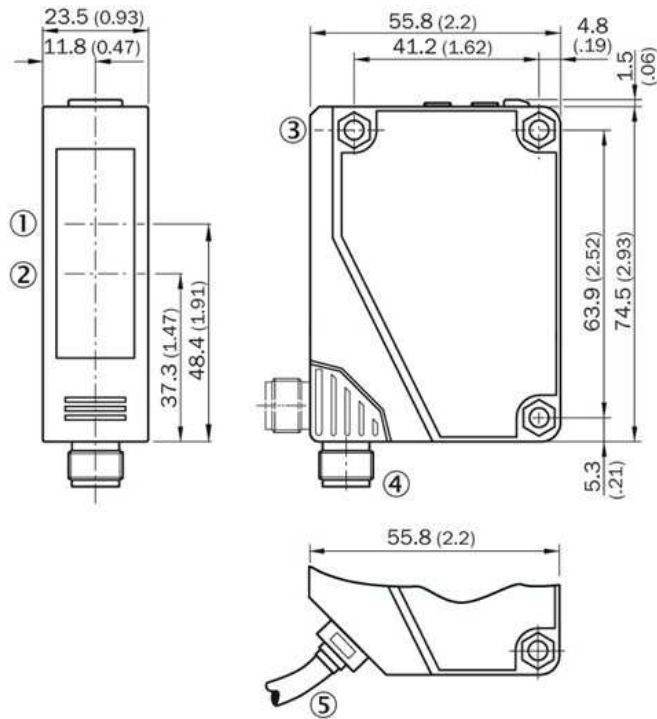
h at T_A = +25 °C

Mechanics/electronics

Supply voltage:	10 V DC ... 30 V DC ¹⁾
Residual ripple:	$\leq 3 \text{ Vpp}$ ²⁾
Power consumption:	$\leq 70 \text{ mA}$ ³⁾
Output type:	2 x NPN, open collector
Switching mode:	Light/dark switching
Switching mode selector:	Selectable via light/dark rotary switch
Output current I _{max.} :	$\leq 100 \text{ mA}$
Response time:	$\leq 0.5 \text{ ms}$ ⁴⁾
Switching frequency:	1,000 Hz ⁵⁾
Electrical connection:	Connector M12, 5-pin
Circuit protection:::::	A, B, C, D ^{6) 7) 8) 9)}
Protection class:	III
Weight:	120 g
Optics material:	PMMA
Enclosure rating:	IP 67
Items supplied:	Mounting bracket BEF-W280
EMC:	EN 60947-5-2
Ambient temperature operation:	-10 °C ... +50 °C
Ambient storage temperature:	-40 °C ... +70 °C
UL File No.:	NRKH2.E300503 & NRKH8.E300503
Housing material:	ABS, Plastic

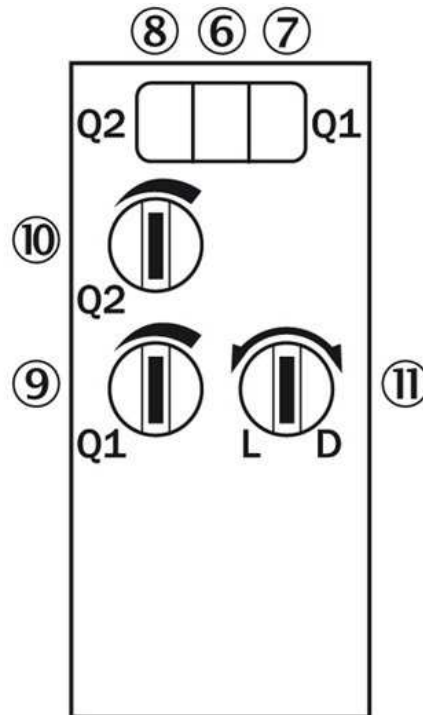
¹⁾ Limit values, operation in short-circuit protected network max. 8 A ²⁾ May not exceed or fall short of V_S tolerances ³⁾ Without load ⁴⁾ Signal transit time with resistive load ⁵⁾ With light/dark ratio 1:1 ⁶⁾ A = V_S connections reverse-polarity protected ⁷⁾ B = output reverse-polarity protected ⁸⁾ C = interference suppression ⁹⁾ D = outputs overcurrent and short-circuit protected

Dimensional drawing



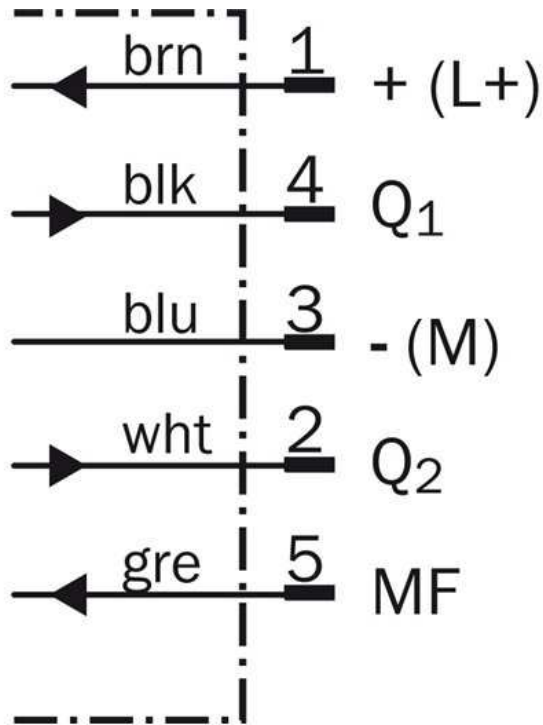
- |1| Center of optical axis, receiver
- |2| Center of optical axis, sender
- |3| Mounting hole, Ø 4.3 mm
- |4| Connector M12, 5-pin , rotatable by 90°
- |5| Cable, 2 m, 5-wire, Ø 3.8 mm

Adjustments possible

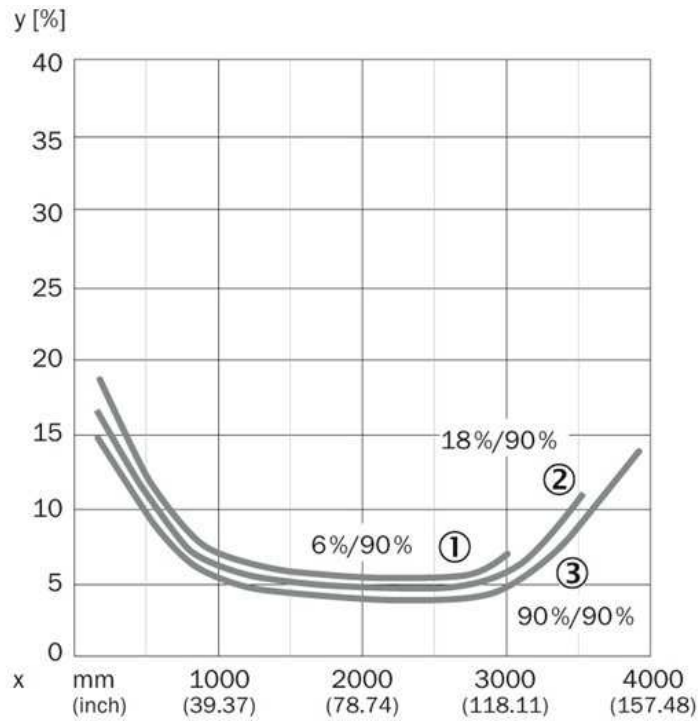


- |6| LED indicator green: Stability indicator
- |7| Status indicator LED, yellow: Status of received light beam (switching output 1)
- |8| Status indicator LED, yellow: Status of received light beam (switching output 2)
- |9| Sensing range adjustment: potentiometer for switching output 1
- |10| Sensing range adjustment: potentiometer for switching output 2
- |11| Light/dark selector

Connection diagram

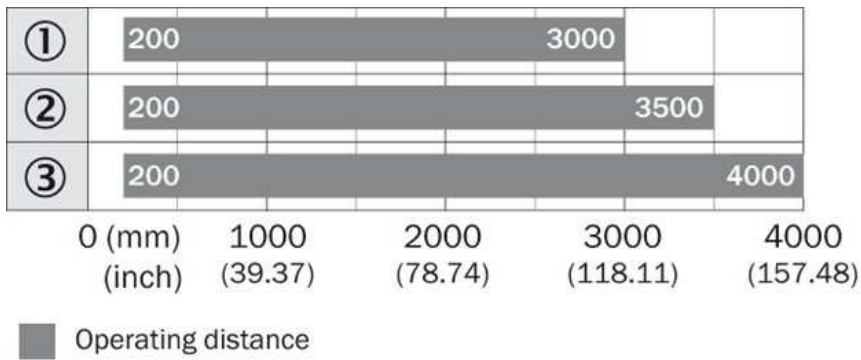


Characteristic curve



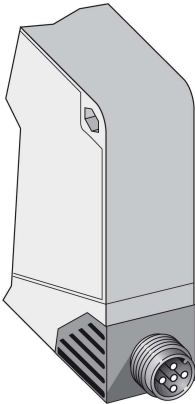
- |1| Sensing range on black, 6 % remission
- |2| Sensing range on gray, 18 % remission
- |3| Sensing range on white, 90 % remission

Sensing range diagram



- |1| Sensing range on black, 6 % remission
- |2| Sensing range on gray, 18 % remission
- |3| Sensing range on white, 90 % remission

Connection type



Australia

Phone +61 3 9457 0600
1800 33 48 02 – tollfree
E-Mail sales@sick.com.au

Belgium/Luxembourg

Phone +32 (0)2 466 55 66
E-Mail info@sick.be

Brasil

Phone +55 11 3215-4900
E-Mail marketing@sick.com.br

Canada

Phone +1 905 771 14 44
E-Mail information@sick.com

Česká republika

Phone +420 2 57 91 18 50
E-Mail sick@sick.cz

China

Phone +86 4000 121 000
E-Mail info.china@sick.net.cn
Phone +852-2153 6300
E-Mail ghk@sick.com.hk

Danmark

Phone +45 45 82 64 00
E-Mail sick@sick.dk

Deutschland

Phone +49 211 5301-301
E-Mail info@sick.de

España

Phone +34 93 480 31 00
E-Mail info@sick.es

France

Phone +33 1 64 62 35 00
E-Mail info@sick.fr

Great Britain

Phone +44 (0)1727 831121
E-Mail info@sick.co.uk

India

Phone +91-22-4033 8333
E-Mail info@sick-india.com

Israel

Phone +972-4-6881000
E-Mail info@sick-sensors.com

Italia

Phone +39 02 27 43 41
E-Mail info@sick.it

Japan

Phone +81 (0)3 5309 2112
E-Mail support@sick.jp

Magyarország

Phone +36 1 371 2680
E-Mail office@sick.hu

Nederland

Phone +31 (0)30 229 25 44
E-Mail info@sick.nl

Norge

Phone +47 67 81 50 00
E-Mail sick@sick.no

Österreich

Phone +43 (0)22 36 62 28 8-0
E-Mail office@sick.at

Polska

Phone +48 22 837 40 50
E-Mail info@sick.pl

România

Phone +40 356 171 120
E-Mail office@sick.ro

Russia

Phone +7-495-775-05-30
E-Mail info@sick.ru

Schweiz

Phone +41 41 619 29 39
E-Mail contact@sick.ch

Singapore

Phone +65 6744 3732
E-Mail sales.gsg@sick.com

Slovenija

Phone +386 (0)1-47 69 990
E-Mail office@sick.si

South Africa

Phone +27 11 472 3733
E-Mail info@sickautomation.co.za

South Korea

Phone +82 2 786 6321/4
E-Mail info@sickkorea.net

Suomi

Phone +358-9-25 15 800
E-Mail sick@sick.fi

Sverige

Phone +46 10 110 10 00
E-Mail info@sick.se

Taiwan

Phone +886 2 2375-6288
E-Mail sales@sick.com.tw

Türkiye

Phone +90 (216) 528 50 00
E-Mail info@sick.com.tr

United Arab Emirates

Phone +971 (0) 4 88 65 878
E-Mail info@sick.ae

USA/México

Phone +1(952) 941-6780
1 (800) 325-7425 – tollfree
E-Mail info@sickusa.com

More representatives and agencies
at www.sick.com