



Photoelectric sensors  
W280L-2 Long Range, Photoelectric proximity  
sensor, Background suppression

WTT280L-2P1536



**Photoelectric sensors**  
**W280L-2 Long Range, Photoelectric proximity sensor,**  
**Background suppression**

**Model Name** > [WTT280L-2P1536](#)  
**Part No.** > [6048066](#)



*Illustration may differ*

**At a glance**

- WTT280L-2 Long Range: Background suppression sensing distance up to 4 m
- Complete background suppression: very small black/white shift, insensitive against reflections from the background (e.g. shiny metal, window, safety vest)
- Ignores cross talk from adjacent sensors
- Visible red Class 1 laser
- Version 1: with 1 x switching output and light/dark switch, Version 2: with 2 x switching outputs and light/dark switch
- Reliable detection also in very fast production processes thanks to the switching frequency of 1,000 Hz
- Disable laser by wire

**Your benefits**

- Reliable target detection with difficult target colors, angles and color transitions (black/white shift)
- One sensor with two outputs and two status LEDs improves application flexibility and reduces the number of sensors needed
- Quick and easy commissioning with sensing range adjustment potentiometers and status LEDs - one for each output
- Quick and easy alignment with a red Class 1 laser
- Rotatable connector and light/dark switch for mounting and installation flexibility



**Features**

Sensor/detection principle:	Photoelectric proximity sensor, Background suppression
Dimensions (W x H x D):	23.5 mm x 76 mm x 55.8 mm
Housing design (light emission):	Rectangular
Sensing range max.:	200 mm ... 3,000 mm, 200 mm ... 4,000 mm <sup>1) 2)</sup>
Type of light:	Visible red light
Light source:	Laser <sup>3)</sup>
Laser class:	1, 1 (EN 60825-1:2008-5, IEC 60825-1:2007-03)
Adjustment:	Potentiometer
Light spot size (distance):	Ø 12 mm (3 m)

<sup>1)</sup> Object with 90 % reflectance (referred to standard white, DIN 5033) <sup>2)</sup> Objects to be sensed with 6 % reflectivity (based on black) <sup>3)</sup> Average service life of 100,000

h at T<sub>A</sub> = +25 °C

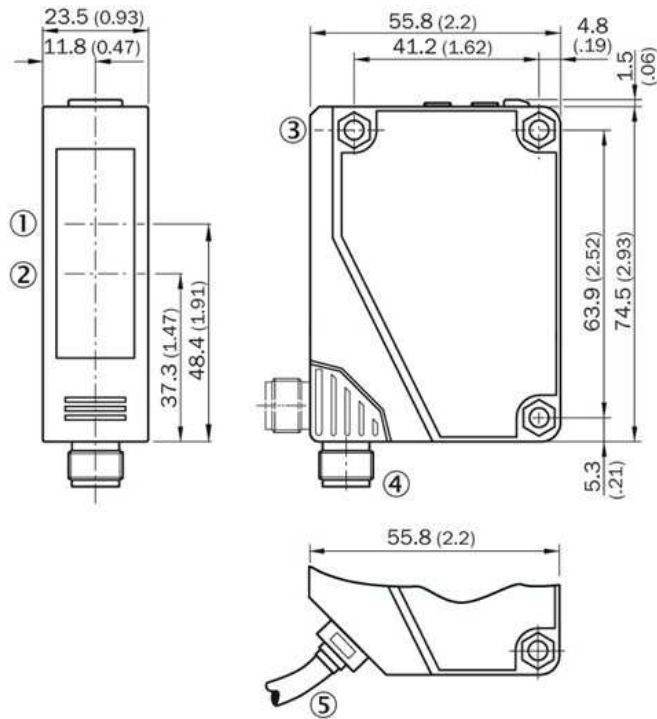
## Mechanics/electronics

---

Supply voltage:	10 V DC ... 30 V DC <sup>1)</sup>
Residual ripple:	$\leq 3 V_{pp}$ <sup>2)</sup>
Power consumption:	$\leq 70 \text{ mA}$ <sup>3)</sup>
Output type:	2 x PNP, open collector
Switching mode:	Light/dark switching
Switching mode selector:	Selectable via light/dark rotary switch
Output current I <sub>max.</sub> :	$\leq 100 \text{ mA}$
Response time:	$\leq 0.5 \text{ ms}$ <sup>4)</sup>
Switching frequency:	1,000 Hz <sup>5)</sup>
Electrical connection:	Cable, 5-wire, 2 m <sup>6)</sup>
Cable material:	PVC
Conductor cross-section:	0.18 mm <sup>2</sup>
Cable diameter:	Ø 3.8 mm
Circuit protection:::::	A, B, C, D <sup>7) 8) 9) 10)</sup>
Protection class:	III
Weight:	120 g
Optics material:	PMMA
Enclosure rating:	IP 67
Items supplied:	Mounting bracket BEF-W280
EMC:	EN 60947-5-2
Ambient temperature operation:	-10 °C ... +50 °C
Ambient storage temperature:	-40 °C ... +70 °C
UL File No.:	NRKH2.E300503 & NRKH8.E300503
Housing material:	ABS, Plastic

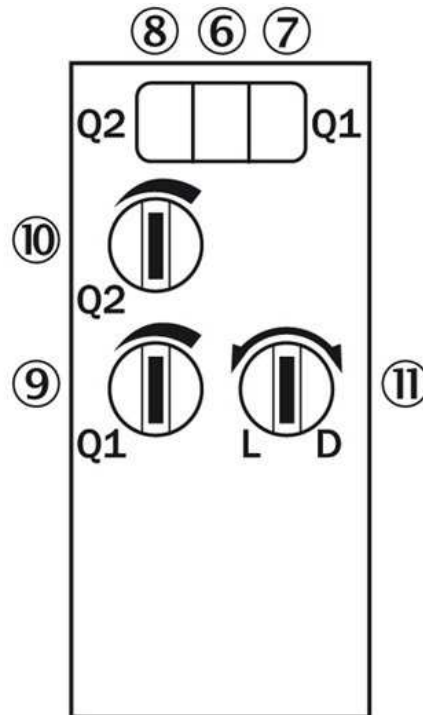
<sup>1)</sup> Limit values, operation in short-circuit protected network max. 8 A <sup>2)</sup> May not exceed or fall short of  $V_S$  tolerances <sup>3)</sup> Without load <sup>4)</sup> Signal transit time with resistive load <sup>5)</sup> With light/dark ratio 1:1 <sup>6)</sup> Do not bend below 0 °C <sup>7)</sup> A =  $V_S$  connections reverse-polarity protected <sup>8)</sup> B = output reverse-polarity protected <sup>9)</sup> C = interference suppression <sup>10)</sup> D = outputs overcurrent and short-circuit protected

## Dimensional drawing



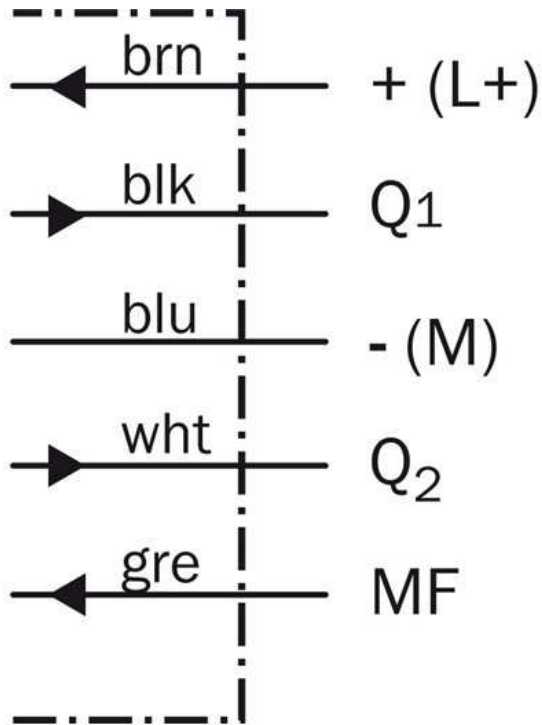
- |1| Center of optical axis, receiver
- |2| Center of optical axis, sender
- |3| Mounting hole, Ø 4.3 mm
- |4| Connector M12, 5-pin , rotatable by 90°
- |5| Cable, 2 m, 5-wire, Ø 3.8 mm

## Adjustments possible

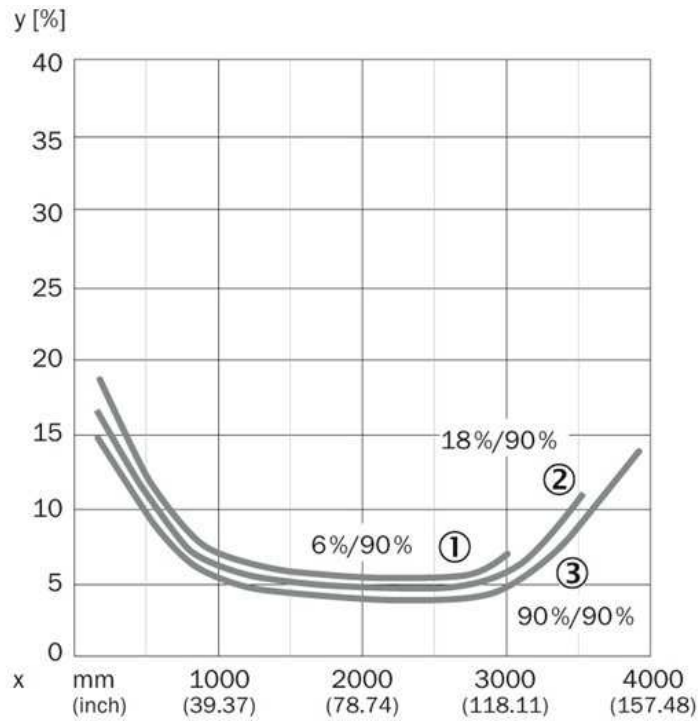


- |6| LED indicator green: Stability indicator
- |7| Status indicator LED, yellow: Status of received light beam (switching output 1)
- |8| Status indicator LED, yellow: Status of received light beam (switching output 2)
- |9| Sensing range adjustment: potentiometer for switching output 1
- |10| Sensing range adjustment: potentiometer for switching output 2
- |11| Light/dark selector

## Connection diagram

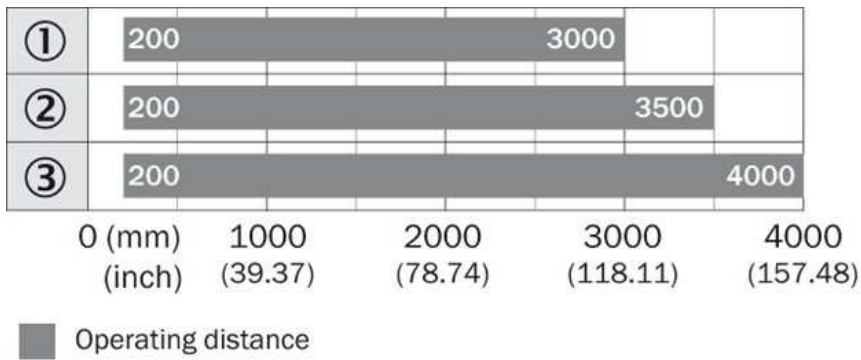


## Characteristic curve



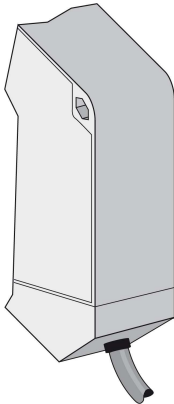
- [1] Sensing range on black, 6 % remission
- [2] Sensing range on gray, 18 % remission
- [3] Sensing range on white, 90 % remission

## Sensing range diagram



- |1| Sensing range on black, 6 % remission
- |2| Sensing range on gray, 18 % remission
- |3| Sensing range on white, 90 % remission

## Connection type



**Australia**

Phone +61 3 9457 0600  
1800 33 48 02 – tollfree  
E-Mail sales@sick.com.au

**Belgium/Luxembourg**

Phone +32 (0)2 466 55 66  
E-Mail info@sick.be

**Brasil**

Phone +55 11 3215-4900  
E-Mail marketing@sick.com.br

**Canada**

Phone +1 905 771 14 44  
E-Mail information@sick.com

**Česká republika**

Phone +420 2 57 91 18 50  
E-Mail sick@sick.cz

**China**

Phone +86 4000 121 000  
E-Mail info.china@sick.net.cn  
Phone +852-2153 6300  
E-Mail ghk@sick.com.hk

**Danmark**

Phone +45 45 82 64 00  
E-Mail sick@sick.dk

**Deutschland**

Phone +49 211 5301-301  
E-Mail info@sick.de

**España**

Phone +34 93 480 31 00  
E-Mail info@sick.es

**France**

Phone +33 1 64 62 35 00  
E-Mail info@sick.fr

**Great Britain**

Phone +44 (0)1727 831121  
E-Mail info@sick.co.uk

**India**

Phone +91-22-4033 8333  
E-Mail info@sick-india.com

**Israel**

Phone +972-4-6881000  
E-Mail info@sick-sensors.com

**Italia**

Phone +39 02 27 43 41  
E-Mail info@sick.it

**Japan**

Phone +81 (0)3 5309 2112  
E-Mail support@sick.jp

**Magyarország**

Phone +36 1 371 2680  
E-Mail office@sick.hu

**Nederland**

Phone +31 (0)30 229 25 44  
E-Mail info@sick.nl

**Norge**

Phone +47 67 81 50 00  
E-Mail sick@sick.no

**Österreich**

Phone +43 (0)22 36 62 28 8-0  
E-Mail office@sick.at

**Polska**

Phone +48 22 837 40 50  
E-Mail info@sick.pl

**România**

Phone +40 356 171 120  
E-Mail office@sick.ro

**Russia**

Phone +7-495-775-05-30  
E-Mail info@sick.ru

**Schweiz**

Phone +41 41 619 29 39  
E-Mail contact@sick.ch

**Singapore**

Phone +65 6744 3732  
E-Mail sales.gsg@sick.com

**Slovenija**

Phone +386 (0)1-47 69 990  
E-Mail office@sick.si

**South Africa**

Phone +27 11 472 3733  
E-Mail info@sickautomation.co.za

**South Korea**

Phone +82 2 786 6321/4  
E-Mail info@sickkorea.net

**Suomi**

Phone +358-9-25 15 800  
E-Mail sick@sick.fi

**Sverige**

Phone +46 10 110 10 00  
E-Mail info@sick.se

**Taiwan**

Phone +886 2 2375-6288  
E-Mail sales@sick.com.tw

**Türkiye**

Phone +90 (216) 528 50 00  
E-Mail info@sick.com.tr

**United Arab Emirates**

Phone +971 (0) 4 88 65 878  
E-Mail info@sick.ae

**USA/México**

Phone +1(952) 941-6780  
1 (800) 325-7425 – tollfree  
E-Mail info@sickusa.com

More representatives and agencies  
at [www.sick.com](http://www.sick.com)