



## Ultrasonic sensors UM18, UM18-2 Pro

UM18-212126112



**Model Name** > [UM18-212126112](#)  
**Part No.** > [6048399](#)



**At a glance**

- Reliable measurement independent of material color, transparency, gloss and ambient light
- Four ranges up to 1,300 mm
- Short M18 metal housing with a length of 41 mm
- Straight or right-angle versions
- Analog voltage, analog current or push-pull (PNP/NPN in one) switching output with IO-Link available
- Set-up via IO-Link and/or teach-in via multifunction input
- High immunity to dirt, dust, humidity and fog

**Your benefits**

- Ranges up to 1,300 mm offer plenty of options for flexible use
- Easy machine integration due to short M18 housing available in straight or right-angle versions
- Intelligent measurement filters ensure reliable measurement results for highest process stability
- Integrated temperature compensation ensures high measurement accuracy at any time for best process quality
- Solid, one-piece metal housing secures highest machine availability
- Synchronization or multiplexing allow simultaneous use of up to 10 sensors, which improves application flexibility and process stability
- Unintentional adjustments to sensor settings are eliminated since teach-in process is done with an external wire
- Devices with switching output and IO-Link allow highest machine flexibility while offering easy machine operation



**Performance**

Resolution:	≥ 0.069 mm
Working range, limiting range:	65 mm ... 350 mm, 600 mm
Repeatability <sup>1)</sup> :	± 0.15 %
Accuracy <sup>2), 3)</sup> :	± 1 %
Response time <sup>4)</sup> :	64 ms
Ultrasonic frequency (typical):	400 kHz
Detection area (typical):	See diagrams
Temperature compensation:	✓

Additional function: Teach-in of analog output  
Temperature compensation  
Synchronization of up to 10 sensors  
Multiplexing: no cross talk of up to 10 sensors  
Reset to factory default  
Multifunctional input: external teach/synchronization/multiplexing  
Invertible analog output  
Functions may vary depending on sensor type

Output time: 16 ms

<sup>1) 2)</sup> Referring to current measurement value <sup>3)</sup> Temperature compensation can be switched off, without temperature compensation: 0.17 %/K <sup>4)</sup> Subsequent smoothing of the analog output, depending on the application, may increase the response time by up to 200 %

## Interfaces

---

Analog output <sup>1)</sup>: 1 x 4 mA ... 20 mA ( $\leq 500 \Omega$ )  
Resolution analog output: 12 bit  
Multifunctional input (MF): 1 x MF

<sup>1)</sup> For 4 mA ... 20 mA and  $V_s \leq 20$  V max. load  $\leq 100 \Omega$

## Mechanics/electronics

---

Sending axis: Angled  
Supply voltage  $V_s$  <sup>1), 2)</sup>: DC 10 V ... 30 V  
Power consumption <sup>3)</sup>:  $\leq 1.2$  W  
Initialization time:  $< 300$  ms  
Design: Cylindrical  
Housing material: Nickel-plated brass  
ultrasonic transducer: polyurethane foam, glass epoxy resin  
Electrical connection: Male connector, M12, 5-pin  
Indication: 2 x LED  
Weight: 30 g

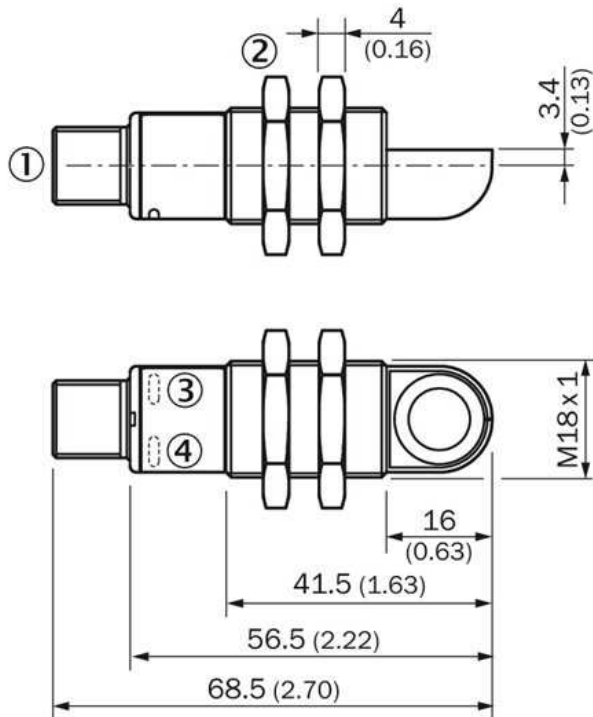
<sup>1)</sup> Limit values, reverse-polarity protected, operation in short-circuit protected network: max. 8 A <sup>2)</sup> 15 V ... 30 V when using analog voltage output <sup>3)</sup> Without load

## Ambient data

---

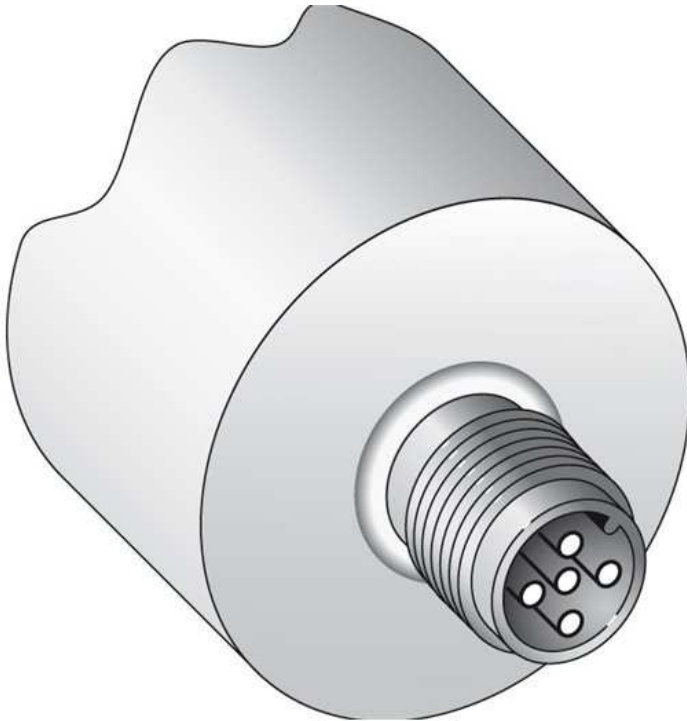
Enclosure rating: IP 67  
Protection class: III  
Ambient temperature: Operation: -25 ... +70 °C  
Storage: -40 ... +85 °C

## Dimensional drawing

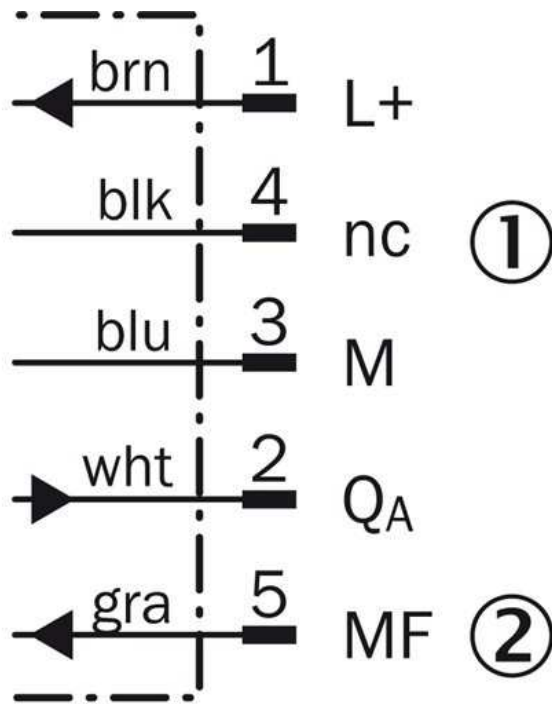


- |1| Connection
- |2| Mounting nuts, SW 24 mm
- |3| Status indicator power on (green)
- |4| Status indicator switching/analog output (orange)

## Connection type

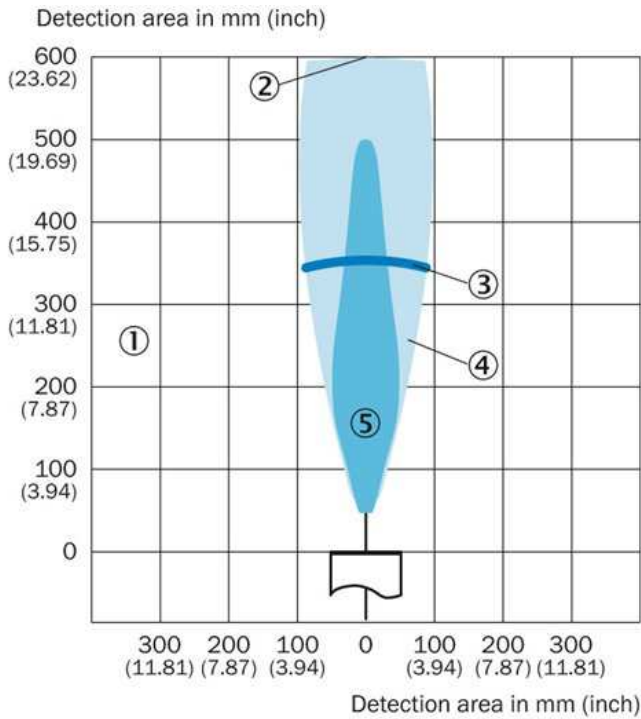


Connection diagram



- |1| not connected
- |2| multifunctional input/synchronization and multiplex operation/communication Connect+

Detection area



- |1| Sensing range dependent on reflection properties, size and orientation of the object
- |2| Limiting range
- |3| Working range
- |4| example object: aligned plate 500 mm x 500 mm
- |5| example object: pipe with 27 mm diameter

**Australia**

Phone +61 3 9457 0600  
1800 33 48 02 – tollfree  
E-Mail sales@sick.com.au

**Belgium/Luxembourg**

Phone +32 (0)2 466 55 66  
E-Mail info@sick.be

**Brasil**

Phone +55 11 3215-4900  
E-Mail marketing@sick.com.br

**Canada**

Phone +1 905 771 14 44  
E-Mail information@sick.com

**Česká republika**

Phone +420 2 57 91 18 50  
E-Mail sick@sick.cz

**China**

Phone +86 4000 121 000  
E-Mail info.china@sick.net.cn  
Phone +852-2153 6300  
E-Mail ghk@sick.com.hk

**Danmark**

Phone +45 45 82 64 00  
E-Mail sick@sick.dk

**Deutschland**

Phone +49 211 5301-301  
E-Mail info@sick.de

**España**

Phone +34 93 480 31 00  
E-Mail info@sick.es

**France**

Phone +33 1 64 62 35 00  
E-Mail info@sick.fr

**Great Britain**

Phone +44 (0)1727 831121  
E-Mail info@sick.co.uk

**India**

Phone +91-22-4033 8333  
E-Mail info@sick-india.com

**Israel**

Phone +972-4-6881000  
E-Mail info@sick-sensors.com

**Italia**

Phone +39 02 27 43 41  
E-Mail info@sick.it

**Japan**

Phone +81 (0)3 5309 2112  
E-Mail support@sick.jp

**Magyarország**

Phone +36 1 371 2680  
E-Mail office@sick.hu

**Nederland**

Phone +31 (0)30 229 25 44  
E-Mail info@sick.nl

**Norge**

Phone +47 67 81 50 00  
E-Mail sick@sick.no

**Österreich**

Phone +43 (0)22 36 62 28 8-0  
E-Mail office@sick.at

**Polska**

Phone +48 22 837 40 50  
E-Mail info@sick.pl

**România**

Phone +40 356 171 120  
E-Mail office@sick.ro

**Russia**

Phone +7-495-775-05-30  
E-Mail info@sick.ru

**Schweiz**

Phone +41 41 619 29 39  
E-Mail contact@sick.ch

**Singapore**

Phone +65 6744 3732  
E-Mail sales.gsg@sick.com

**Slovenija**

Phone +386 (0)1-47 69 990  
E-Mail office@sick.si

**South Africa**

Phone +27 11 472 3733  
E-Mail info@sickautomation.co.za

**South Korea**

Phone +82 2 786 6321/4  
E-Mail info@sickkorea.net

**Suomi**

Phone +358-9-25 15 800  
E-Mail sick@sick.fi

**Sverige**

Phone +46 10 110 10 00  
E-Mail info@sick.se

**Taiwan**

Phone +886 2 2375-6288  
E-Mail sales@sick.com.tw

**Türkiye**

Phone +90 (216) 528 50 00  
E-Mail info@sick.com.tr

**United Arab Emirates**

Phone +971 (0) 4 88 65 878  
E-Mail info@sick.ae

**USA/México**

Phone +1(952) 941-6780  
1 (800) 325-7425 – tollfree  
E-Mail info@sickusa.com

More representatives and agencies  
at [www.sick.com](http://www.sick.com)